

Air Operated Double Diaphragm Pumps **TC-X**

TC-X051

1/4" Diaphragm Pump Data Sheet

Max Flow Rate: 15 L/min.

Liquid Connections: 1/4" Female Side-ports / Multiports on Pure PP.

Max Slurry Size: 0 mm (with Flat Valves)

Max Suction Lift: Dry: 4.5 meters. Wet (Primed): 8.0 meters

Max Discharge Pressure: 0.7 Mpa.

Check Valve Configuration: Flat Valves PTFE. (Optional Ball Valves on Metallic Pumps)

Pump Wetted Material Options: Al, SUS, PP, CFPVDF.

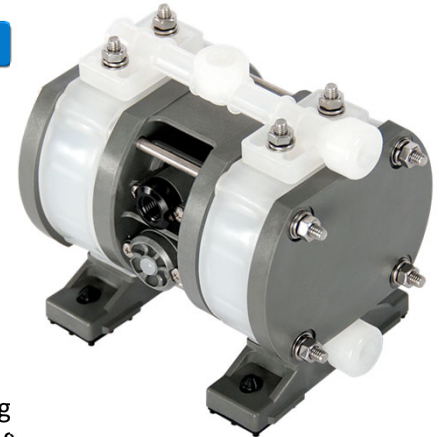
Diaphragm Options: PTFE.

Air Motor Material: PPG.

Description: 1/4" AODD Pumps available in a large range of materials. Looped C® Spring Air Spool. One-piece PPG Air Motor Section. Female Threaded Side Port Connections & Multiports on Pure PP. Flat Check Valves. PTFE Diaphragms. Internal Silencer.



TC-X051PT
1/4" PP Pump.

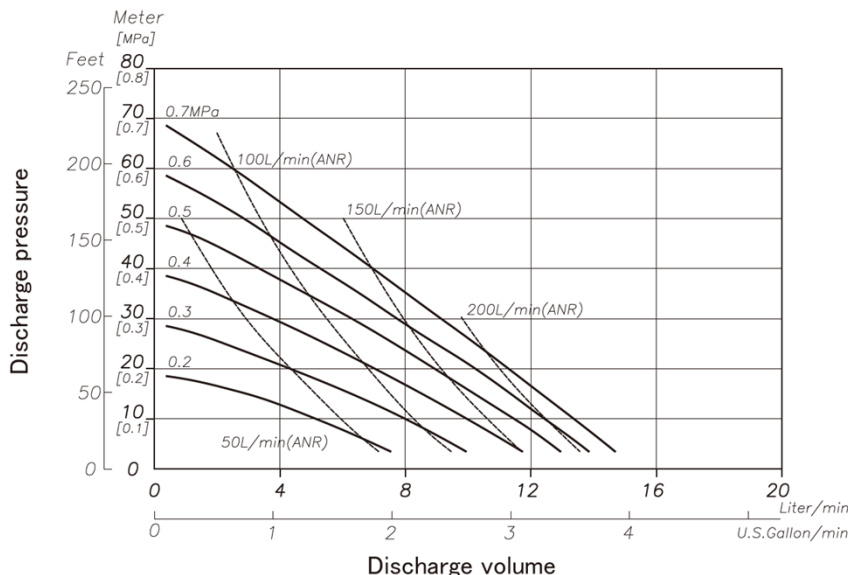


051 Pump Specifications		
Pump Model / Material	AT ST	PT VT
Max Flow Rate	15 L/min [4.0 GPM]	
Max Solids Size	0 mm / 0.5mm Ball Valve Version	
Max Discharge Pressure	0.7 Mpa [100 PSI]	
Max Suction Lift	Dry: 4.5 meters Wet (Primed): 8.0 meters	
Supply Air Pressure Range	0.2 - 0.7 MPa [30 - 100 PSI]	
Max Air Consumption	250 L/min (ANR) [8.83 SCFM]	
Max Discharge Volume Per Cycle	20 mL	
Ambient Temperature Range	0 - 70 °C [32 - 158 °F]	
Liquid Temperature Range	0 - 100 °C [32 - 212 °F] *	0 - 60 °C [32 - 140 °F]
Connections: Suction & Discharge	1/4" Female Threaded Side-Ports / Multi-Ports on Pure PP Model	

*Operating in the condition a fluid temperature is at 70°C or above might cause an early degradation of performance and required to change the material of air motor seal parts. Please contact your nearest distributor for details.

Note. Factors affecting a pumps stated liquid flow rate, suction lift & solids handling capabilities include but are not limited to; pump size, diaphragm, ball valve & ball seat, type & materials of construction, air inlet pressure & air flow capability, liquid viscosity, specific gravity, slurry content, ambient & liquid temperature, liquid inlet & liquid outlet width, piping type, piping length & overall piping configuration. A minimum supply air pressure of 30 PSI (0.2 MPa) is required to operate the pump.

Pump Performance Curves



PPG Air Motor

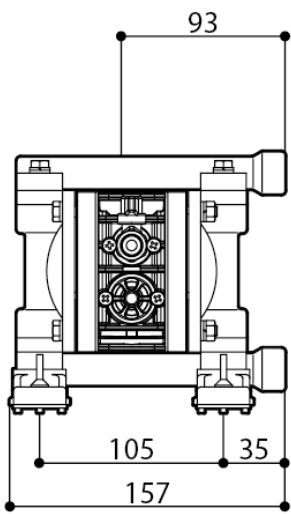


Wetted Materials Of Construction

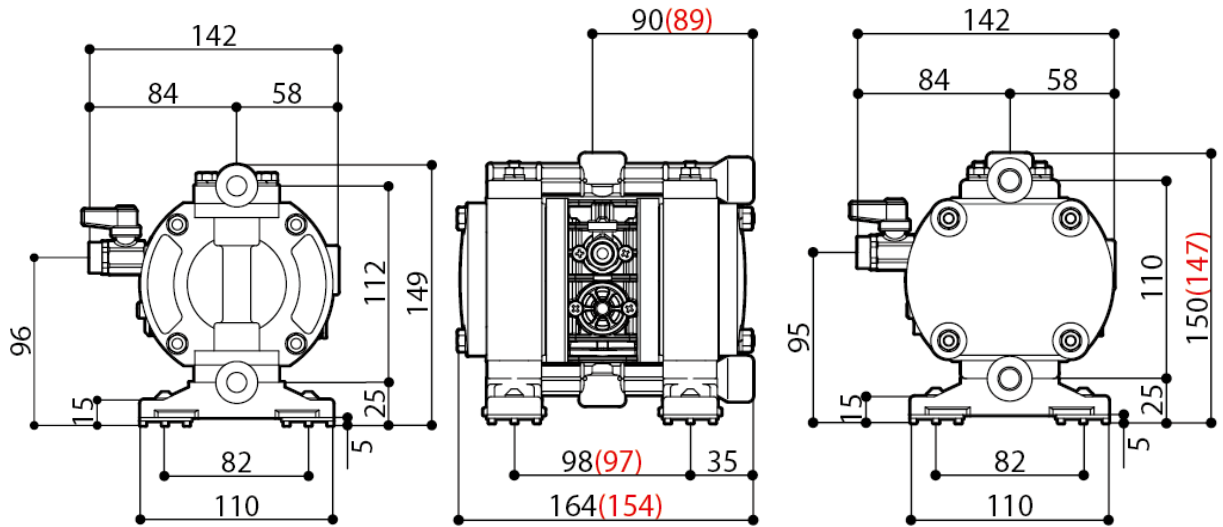
MODEL	051AT [051ATN]	051ST [051STN]	051PT [051PTN]	051VT [051VTN]
Pump Wetted Parts	ADC12	SCS14	PP	PVDF
Diaphragm	PTFE			
Valve Stopper	SUS316	SUS316	PP	PVDF
Flat Valve	PTFE			
Valve Seat	SUS316	SUS316	PP	PVDF
Center Disk	A5056	SUS316	PP	PVDF
Weight	1.5 kg [3.3 lbs]	2.5 kg [5.5 lbs]	1.2 kg [2.7 lbs]	1.5 kg [3.3 lbs]

Dimensional Drawings

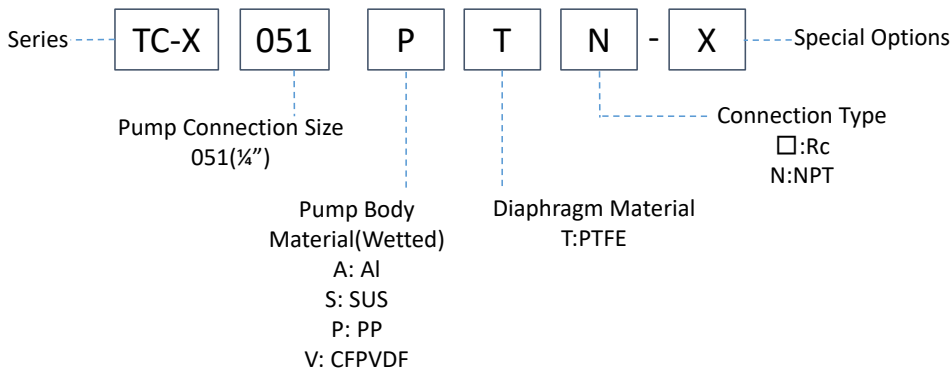
051 AT ST



051 PT VT



Pump Nomenclature



TC-X051AT

1/4" Aluminium Pump.



TC-X051ST

1/4" Aluminium Pump.



TC-X051VT

1/4" CFPVDF Pump.



**Optional
NPT 3/4" Male Thread**