

Air Operated Double Diaphragm Pumps

TC-X

TC-X101 Plastic

3/8" Plastic Diaphragm Pump Data Sheet

Max Flow Rate: 18 L/min.

Liquid Connections: 3/8" Female Centre Ports / Multiports.

Max Slurry Size: 1.0 mm.

Max Suction Lift: Dry: 2.0 meters. Wet (Primed): 8.0 meters.

Max Discharge Pressure: 0.7 MPa

Check Valve Configuration: Ball Valves.

Pump Wetted Material Options: Pure PP.

Diaphragm Options: PTFE, CR, NBR, TPEE, TPO.

Air Motor Material: Aluminium.

Description: 3/8" Plastic AODD Pumps available in Pure PP. Spring-Less Air Spool.

Aluminium Air Motor. Multi Ports. Ball Check Valves. External Plastic Silencer.

TC-X101P□

3/8" Pure PP Pump.

Multiport Liquid

Connections.

Metallic Air Motor.



Pump Features: 3/8" plastic AODD Pumps fitted with the Spring-less Air Spool & Ball Check Valves designed for frequent start stop & frequent dead head applications. Large range of standard Diaphragm elastomer options. Compact size, drop-in dimensions & footprint. Fully bolted body & stable SUS steel base. 100% oil or grease lubrication free offering clean, emissions free, environmentally friendly operation. Easily maintainable with modular replaceable wear parts & manual Spool Reset Switch. Fully torqued, leak and operation tested prior to shipment. Designed and manufactured in Japan.

101 Plastic Pump Specifications

Pump Model / Material	PC PN PH PS PT
Max Flow Rate	18 L/min [4.8 Gallon/min]
Max Solids Size	1.0 mm or Less
Max Discharge Pressure	0.7 MPa [100 psi]
Max Suction Lift	Dry: 2.0 meters. Wet (Primed): 8.0 meters.
Supply Air Pressure Range	0.2 - 0.7 MPa [30 - 100 psi]
Max Air Consumption	250 L/min(ANR) [8.83 SCFM]
Max Discharge Volume Per Cycle	50 mL
Ambient Temperature Range	0 - 70 °C [32 - 158 °F]
Liquid Temperature Range	0 - 60 °C [32 - 140 °F]
Connections: Suction & Discharge	3/8" Female Threaded Centre Ports (Multi-Ports on Pure PP Models)

Note. Factors affecting a pumps stated liquid flow rate, suction lift & solids handling capabilities include but are not limited to; pump size, diaphragm, ball valve & ball seat, type & materials of construction, air inlet pressure & air flow capability, liquid viscosity, specific gravity, slurry content, ambient & liquid temperature, liquid inlet & liquid outlet width, piping type, piping length & overall piping configuration. A minimum supply air pressure of 30 PSI (0.2 MPa) is required to operate the pump. If the supply pressure is less than 30PSI (0.2 MPa), the pump may not operate properly. Oil & Grease Lubrication is not required under normal operating conditions. All 101 Series Diaphragm Pumps are shipped complete with a SUS Steel Base, SUS Air Inlet Shutoff Valve & External Exhaust Silencer as Standard Accessories. Pure PP pumps are also shipped with Liquid Outlet Plugs and Pipe Tape.

Nomenclature

TC-X

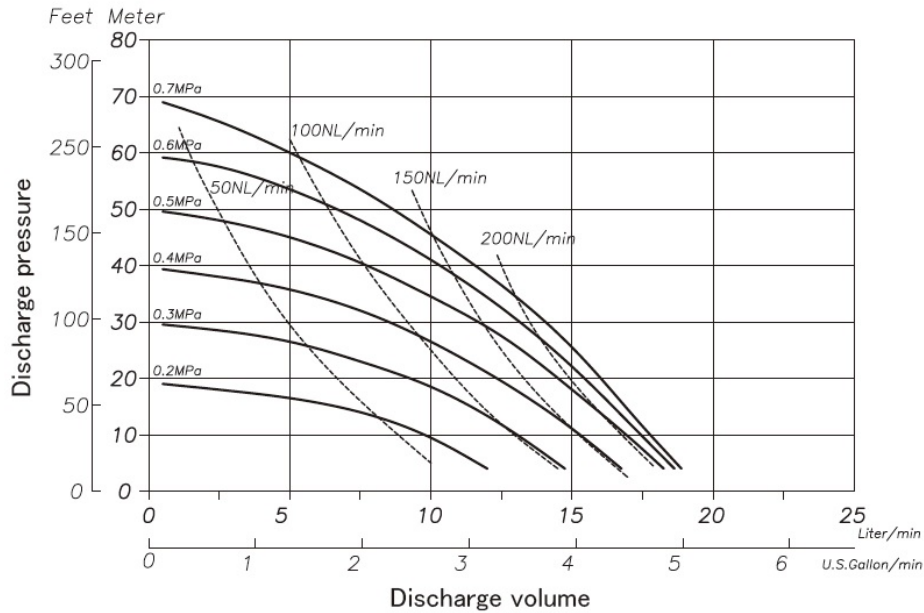
Pump Series
Connection Size & Series
Body Material (Wetted)
Diaphragm Materials
Connection Options
Specialty Options
Air Motor Options
Other Options

TC-X 101 P N [] [] - [] X



TC-X101G□-X
PPG Pump

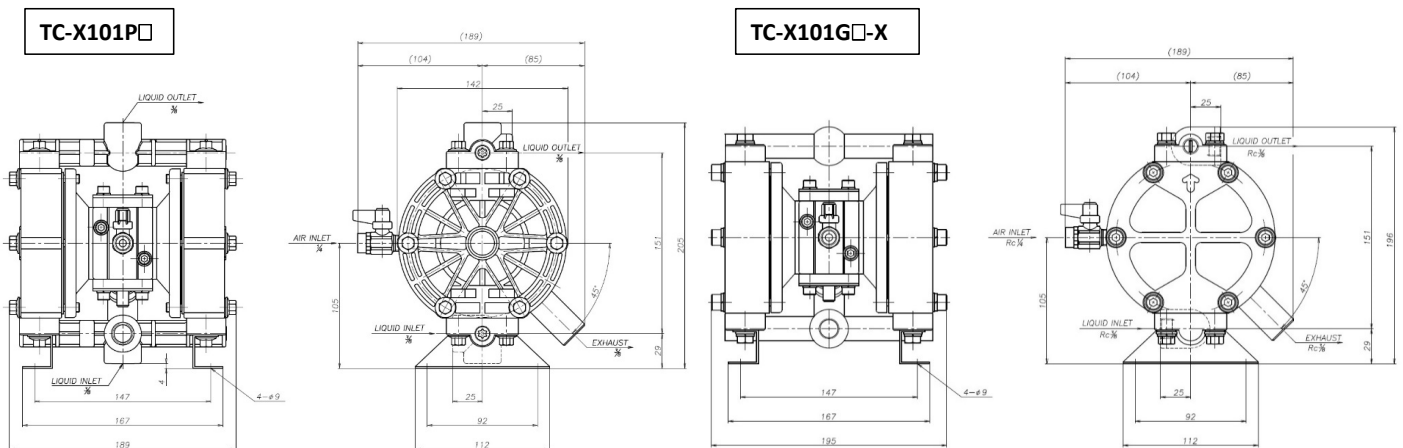
Pump Performance Curves



Wetted Materials Of Construction

MODEL	101GC [101GCN]	101GN [101GNN]	101GT [101GTN]	101GH [101GHN]	101GS [101GSN]	101PC [101PCN]	101PN [101PNN]	101PT [101PTN]	101PH [101PHN]	101PS [101PSN]
Pump Wetted Parts	PPG					PP				
Diaphragm	CR	NBR	PTFE	TPEE	TPO	CR	NBR	PTFE	TPEE	TPO
Valve Stopper	PPG					PP				
Ball Valve	CR	NBR	PTFE	NBR	EPDM	CR	NBR	PTFE	NBR	EPDM
Valve Seat	CR	NBR	PPG			PP				
Center Disk	PPG					PP				
Weight	3.0kg [6.6 lbs]					3.0kg [6.6 lbs]				

Dimensional Drawings



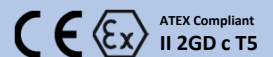
TC-X

AODD Pump Capabilities.

- | | | |
|----------------------|-------------------------------|--------------------------------|
| Self Priming. | Variable Discharge Pressures. | Inherently Safe Design. |
| Run Dry. | Transfer Liquid Slurries. | Portable & Easy to Use. |
| Run up to Dead Head. | Transfer Large Sized Solids. | Transfer Viscous Fluids. |
| Variable Flow Rates. | Handle Abrasives. | Frequent Start Stop Operation. |
| Shear Sensitivity. | Transfer Chemicals. | Powered by Compressed Air. |

For more information about TC-X Pumps please contact: sales@yts-pump.com

©YTS Co Ltd Japan. All Rights Reserved 2020



ATEX Compliant
II 2GD c T5



JQA-QMA14279



091