

Air Operated Double Diaphragm Pumps

TC-X

TC-X101 Metallic

3/8" Metallic Diaphragm Pump Data Sheet

Max Flow Rate: 23 L/min.

Liquid Connections: 3/8" Female Multiports.

Max Slurry Size: 1.0 mm.

Max Suction Lift: Dry: 2.0 meters. Wet (Primed): 8.0 meters.

Max Discharge Pressure: 0.7 MPa

Check Valve Configuration: Ball Valves.

Pump Wetted Material Options: Aluminium, SUS.

Diaphragm Options: PTFE, CR, NBR, TPEE, TPO.

Air Motor Material: Aluminium.

Description: 3/8" Metallic AODD Pumps available in AL & SUS. Spring-Less Air Spool.

Aluminium Air Motor. Multi Port Threaded Connections. Ball Check Valves. External Plastic Silencer.

Pump Features: 3/8" Metallic AODD Pumps fitted with the Spring-less Air Spool & Ball Check Valves designed for frequent start stop & frequent dead head applications. Large range of standard Diaphragm elastomer options. Compact size, drop-in dimensions & footprint. Fully bolted body, heavy-duty construction & wide stable SUS steel base. 100% oil or grease lubrication free offering clean, emissions free, environmentally friendly operation. Easily maintainable with modular replaceable wear parts & manual Spool Reset Switch. Fully torqued, leak and operation tested prior to shipment. Designed and manufactured in Japan.



TC-X101S □
3/8" SUS Pump.

101 Metallic Pump Specifications

Pump Model / Material	AC AN AH AS AT	SC SN SH SS ST
Max Flow Rate	23 L/min [6.1 Gallon/min]	
Max Solids Size	1.0 mm or Less	
Max Discharge Pressure	0.7 Mpa [100 PSI]	
Max Suction Lift	Dry: 2.0 meters. Wet (Primed): 8.0 meters.	
Supply Air Pressure Range	0.2 - 0.7 MPa [30 - 100 PSI]	
Max Air Consumption	300 L/min(ANR) [10.6 SCFM]	
Max Discharge Volume Per Cycle	50 mL	
Ambient Temperature Range	0 - 70 °C [32 - 158 °F]	
Liquid Temperature Range	NBR/CR: 0 - 70 °C TPEE/EDPM: 0 - 80 °C FKM/TPO/PTFE 0 - 100 °C	
Connections: Suction & Discharge	3/8" Female Threaded Multi-Ports	

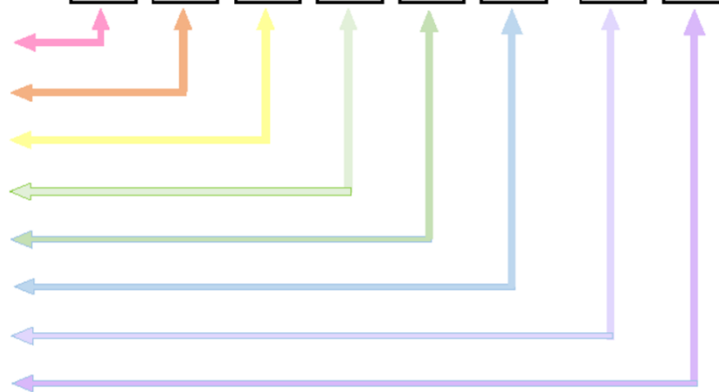
Note. Factors affecting a pumps stated liquid flow rate, suction lift & solids handling capabilities include but are not limited to; pump size, diaphragm, ball valve & ball seat, type & materials of construction, air inlet pressure & air flow capability, liquid viscosity, specific gravity, slurry content, ambient & liquid temperature, liquid inlet & liquid outlet width, piping type, piping length & overall piping configuration. A minimum supply air pressure of 30 PSI (0.2 MPa) is required to operate the pump. If the supply pressure is less than 30PSI (0.2 MPa), the pump may not operate properly. Oil & Grease Lubrication is not required under normal operating conditions. All 101 Series Diaphragm Pumps are shipped complete with a SUS Steel Base, Rubber Feet, SUS Air Inlet Shutoff Valve & External Exhaust Silencer, Liquid Outlet Plugs and Pipe Tape as Standard Accessories.

Nomenclature

TC-X

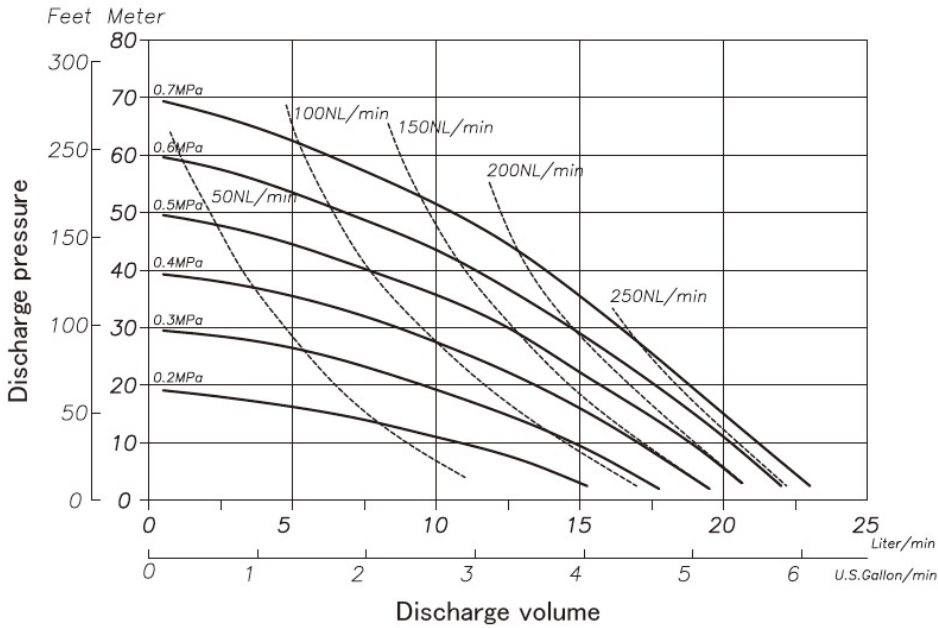
- Pump Series
- Connection Size & Series
- Body Material (Wetted)
- Diaphragm Materials
- Connection Options
- Specialty Options
- Air Motor Options
- Other Options

TC-X 101 S C [] [] - [] X



TC-X101S-X
Drum Pump Version

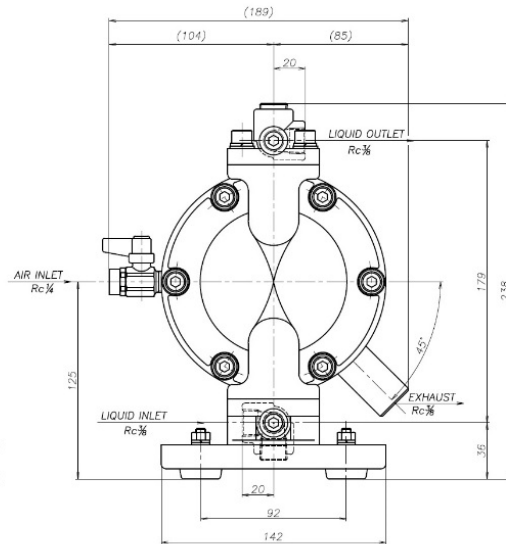
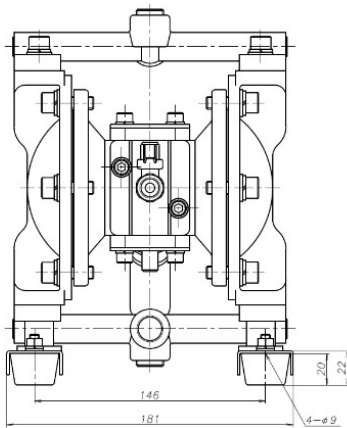
Pump Performance Curves



Wetted Materials Of Construction

MODEL	101AC	101AN	101AT	101AH	101AS	101AH-T	101SC	101SN	101ST	101SH	101SS	101SH-T
Pump Wetted Parts	ADC12						SCS14					
Diaphragm	CR	NBR	PTFE	TPEE	TPO	TPEE	CR	NBR	PTFE	TPEE	TPO	TPEE
Valve Stopper	PA						SCS14					
Ball Valve	CR	NBR	PTFE	NBR	EPDM	PTFE	CR	NBR	PTFE	NBR	EPDM	PTFE
Valve Seat	A5056						SUS316					
Center Disk	A5056						SUS316					
Weight	3.5kg [7.7 lbs]						5.2kg [11.5 lbs]					

Dimensional Drawings



101A
3/8" Aluminium Pump.

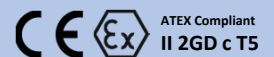
TC-X

AODD Pump Capabilities.

- | | | |
|----------------------|-------------------------------|--------------------------------|
| Self Priming. | Variable Discharge Pressures. | Inherently Safe Design. |
| Run Dry. | Transfer Liquid Slurries. | Portable & Easy to Use. |
| Run up to Dead Head. | Transfer Large Sized Solids. | Transfer Viscous Fluids. |
| Variable Flow Rates. | Handle Abrasives. | Frequent Start Stop Operation. |
| Shear Sensitivity. | Transfer Chemicals. | Powered by Compressed Air. |

For more information about TC-X Pumps please contact: sales@yts-pump.com

©YTS Co Ltd Japan. All Rights Reserved 2020



JQA-QMA14279

091