

IWAKI Magnetic Drive Pump

MDW Series

Instruction Manual

⚠ Read this manual before use of product

Thank you for selecting an Iwaki MDW Magnetic Drive Pump. This instruction manual deals with "*Safety instructions*", "*Outline*", "*Installation*", "*Operation*" and "*Maintenance*" sections. Please read through this manual carefully to ensure the optimum performance, safety and service of your pump.

Contents

Safety instructions	1
<i>Outline</i>	
1. Unpacking & Inspection	7
2. Product outline	7
3. Model code	8
4. Overview	9
5. Dimensions	10
6. Precautions for use	11
<i>Installation</i>	
1. Before installation	15
2. Pipework	16
3. Wiring	19
<i>Operation</i>	
1. Before operation	21
2. Operation	22
3. Shutdown	23
<i>Maintenance</i>	
1. Troubleshooting	25
2. Maintenance & Inspection	26
3. Spare & Wear parts	31
4. Assembly & Disassembly	33



This instruction manual should be kept on hand by the end user for quick reference.

Contact us or your nearest dealer if you have any questions.

Safety instructions

For the Safe and Correct Handling of the Pump

- "Safety Instruction" section deals with important details about handling of the product. Before use, read this section carefully for the prevention of personal injury or property damage.
- Observe the instructions accompanied with "WARNING" or "CAUTION" in this manual. These instructions are very important for protecting users from dangerous situations.
- The symbols on this instruction manual have the following meanings:

 WARNING	Nonobservance or misapplication of "Warning" sections could lead to a serious accident which may result in death.
 CAUTION	Nonobservance or misapplication of "Caution" sections could lead to personal injury or property damage.

Types of Symbols



Indicates that "Warning" or "Caution" must be exercised. Inside this triangle, a concrete and practical image provided as a warning or caution message is depicted.



Indicates a prohibited action or procedure. Inside or near this circle, a concrete and practical image of the activity to be avoided is depicted.



Indicates an important action or procedure which must be performed or carried out without fail. Failure to follow the instructions herein can lead to malfunction or damage to the pump.

For exportation

Information contained within this instruction manual may be considered controlled technology as set by the Japanese Ministry of Economy, Trade and Industry (METI). An export license issued by METI may be required when exporting or providing the manual to a 3rd party.

Safety instructions

WARNING

- **Access limitation**

The magnet drive pump has a pair of strong magnets (the magnet capsule unit and drive magnet). The strong magnet field could adversely affect the persons who are assisted by electronic devices such as the pacemaker.



- **Turn off power before work**

Be sure to turn off power to stop the pump and related devices before work. Make sure no one turns on power by mistake while working on the pump, otherwise it may result in a serious accident. If your working area is noisy or dark, let other people know about the situation by displaying a notice such as "POWER OFF (Maintenance)" near a power switch.



- **Wear protective clothing**

Always wear protective clothing such as eye protection and protective gloves during pipework or dismantlement of the pump.



- **Do not remodel the pump**

Do not remodel the pump. We are not responsible for personal injury or property damage due to any modification.



- **When handling dangerous liquid**

For the transfer of the harmful liquid as mentioned below, be sure to conduct daily inspection and maintenance for the prevention of liquid/gas leakage.

1. Explosive or flammable liquid
2. Corrosive chemicals
3. Harmful liquid or gas



- **Use strong ropes (chains) for lifting up the pump**

Serious injury may result if lifting ropes (chains) break. Check lifting ropes (chains) are strong enough before use.



- **Lift the pump with eye bolts or lifting holes**

Use an eye bolt when lifting the pump unit only. Use lifting holes on the base if the pump unit is mounted on it. In this case do not use the eye bolts.



Safety instructions

CAUTION

- **Magnetic force affects magnetic disks/cards and wrist watches**

A pair of strong magnets is mounted in the pump and its magnet force may affect magnetic disks/cards or wrist watches. Do not bring them close to the pump.



- **A qualified operator only**

The pump must be handled or operated by a qualified person with a full understanding of the pump.



- **A specified application only**

The use of the pump in any purpose other than those clearly specified may result in personal injury or property damage. Use this product in a specified condition.



- **A specified power only**

Risk of fire, electrical shock or pump failure. Do not apply any power other than the one specified on the motor label.



- **Keep good ventilation**

Poisoning may result when handling a toxic or odorous liquid. Install an air fan in order to reduce the possibility of health damage.



- **Countermeasure against efflux**

Take a protective measure against an accidental chemical overflow results from pump or piping breakage. Do not soak chemicals into the ground directory.



- **Do not run pump dry**

Running the pump without liquid, friction heat damages the inside of pump. Dry running takes place when starting the pump with a closed suction line or without priming.



- **Keep the pump away from a flammable substance**

Otherwise, fire may result.



- **When unpacking a wooden box**

Be careful not to be injured by nails or sprinters.



Safety instructions

CAUTION

- **Do not stand on the pump**

Personal injury may result as the pump turns over.



Prohibited

- **Do not touch the pump or pipe with bare hands**

The surface temperature of the pump or pipe rises high along with liquid temperature in or right after operation.



Prohibited

- **Earth connection**

Always earth the pump in order to reduce the risk of electrical shock.



Grounding

- **Install an earth leakage breaker**

Risk of electrical shock. Do not use the pump without an earth leakage breaker.



- **Do not install or store the pump in the following places where...**

1. Ambient temperature is beyond 0-40°C.
2. Ambient humidity is beyond 35-85%RH.
3. Under a flammable or an explosive atmosphere or in a dusty place.
4. Under wind and rain.
5. Under vibration.
6. Under a corrosive atmosphere such as chlorine gas.



Prohibited

- **Remove foreign matters**

Turn off power as soon as foreign matters enter the pump in order to remove them. Otherwise, the pump may be damaged.



Caution

- **Disposal of the used pump**

Dispose of a used pump in accordance with local laws and regulations (Consult a licensed industrial waste products disposing company.).



- **Do not drop the pump down**

The pump itself and its individual parts are heavy due to its largeness. Personal injury may result when one of them falls down. Keep a work space wide enough and use necessary equipment for secure your safety.



Safety instructions

CAUTION

- **Do not touch a rotating part**

A pump shaft and a motor shaft may be coupled barely. Be sure to cover the coupling in order to reduce the risk of personal injury which may occur as coming in contact with the coupling in operation.



- **Take countermeasures against static electricity**

When low electric conductivity liquids such as ultra-pure water and fluor inactive liquid (e.g. Fluorinert™) are handled, static electricity may be generated in the pump and may cause static discharge.



- **Conduct degassing before load operation**

Always prime the pump and remove air before operation. Make sure that air is completely expelled from both a discharge and a suction line. Especially, the air in a suction line can cause dry running and damage sliding parts when it enters the pump at once. Note that hydrogen peroxide and sodium hypochlorite easily generate gas and degassing is needed frequently.



- **Do not incinerate plastic parts**

Fluoroplastic parts are used in this product. Throwing fluoroplastics into the fire is accompanied with harmful gas. Dispose of fluoroplastics as an incom-bustible.

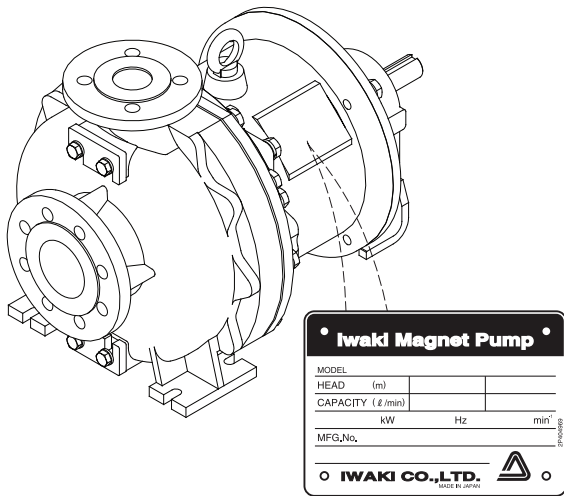


Outline

<i>1. Unpacking & Inspection</i>	<i>7</i>
<i>2. Product outline.....</i>	<i>7</i>
<i>3. Model code</i>	<i>8</i>
<i>4. Overview.....</i>	<i>9</i>
<i>5. Dimensions.....</i>	<i>10</i>
<i>6. Precautions for use.....</i>	<i>11</i>

Outline

1. Unpacking & Inspection



On unpacking the product, check the following points. If you find any problems, contact your nearest distributor.

1. Check the information on labels for model codes, a flow rate, head & power voltage and the delivery is as per order.
2. Check if attachments are complete. Also, check optional products.

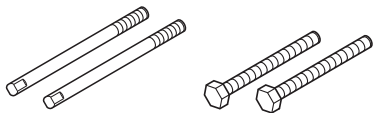
<Attachment list>

- a. Guide bolts (Two each)
- b. Hexagon bolts (M12×130: Two each)

<Optional product list>

Spare parts or peripheral devices such as the dry run protector.

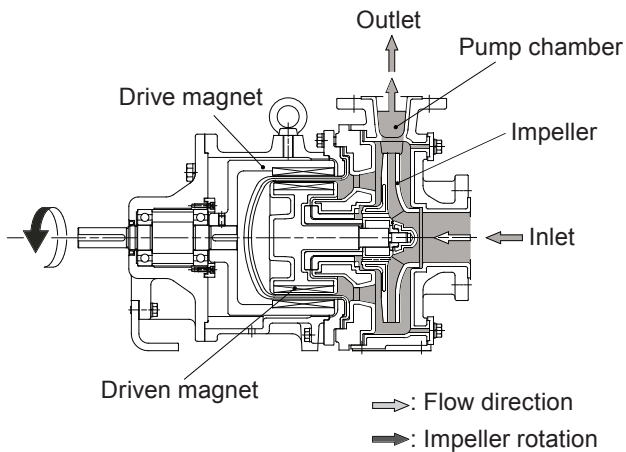
3. Check for transit damage.
4. Check for loose bolts.



a. Guide bolts b. Hexagon bolts

2. Product outline

An Iwaki magnetic drive pump, the MDW, is a long coupled pump. This large-scale process magnet pump has fluoroplastic and fine ceramic wet ends and is capable of sending most chemicals including strong acid and alkaline.



■ Principle of operation

The long coupled motor unit rotates the driven magnet in the pump unit.

An impeller rotates in the pump chamber along with the driven magnet to transfer liquid from the inlet to outlet.

Outline

3. Model code

MDW 50 - 260 P K Z C 450 J - E 2
a b c d e f g h i j k

a. Series name

MDW: A long coupled pump with a foot mounted motor

b. Pump bore size & Motor output

Model	Pump bore size (Inlet × Outlet)	Motor output (kW)		Weight (kg)
		2P	4P	
MDW50	80A × 50A	22/30/37/45/55/75	11/15/18.5/22/37	155
MDW80	125A × 80A	37/45/55/75		170
MDW100	125A × 100A			

c. Impeller nominal diameter

170 - 260

d. Wet end materials

E: ETFE + PFA P: PFA

e. Bearing/Thrust/Sleeve

K: SiC/SiC/SiC

f. O ring material

Z: Kalrez®

g. Motor unit

C: Foot mounted motor

h. Motor output

110: 11kW, 150: 15kW, 185: 18.5kW, 220: 22kW, 300: 30kW
 370: 37kW, 450: 45kW, 550: 55kW, 750: 75kW

i. Flange & Motor standard

I: ISO flange/ IEC motor

J: JIS flange/ JIS motor

A: ANSI flange/ JIS motor

j. Drain

Code	Drain port/Air vent port	Delivery state	Standard/Special version
A	No drain port provided	A pump on a base	Standard
S	No air vent port provided		Special version
D	A drain port provided		Standard
X	An air vent port provided		Special version
B	No drain port provided	Pump unit • No base • No coupling • No coupling cover	Standard
Y	No air vent port provided		Special version
E	A drain port provided		Standard
Z	An air vent port provided		Special version

k. Pole number

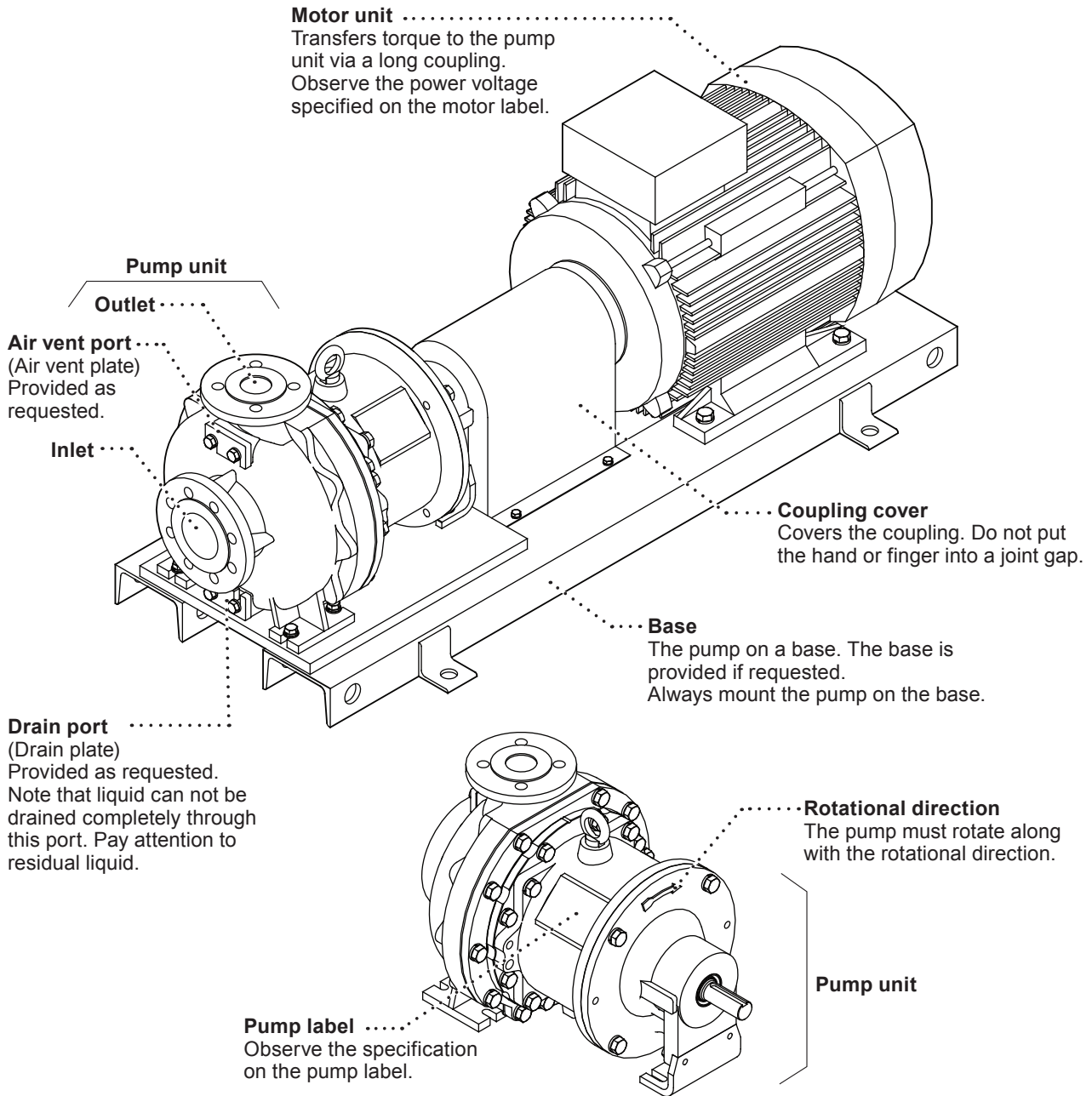
2: Two

4: Four

Outline

4. Overview

The illustration below shows a long coupled pump on the base.



⚠ CAUTION

Wet a cloth with tap water and wring it out for cleaning the pump.

Use a neutral detergent for greasy dirt and then rub with a dry cloth. Do not wipe labels or the pump body with any solvent.

⚠ CAUTION

Turn off main power before cleaning. Be careful not to wet the motor unit (terminal box and fan cover) and wiring. Otherwise electrical shock or short circuit may result.

Outline

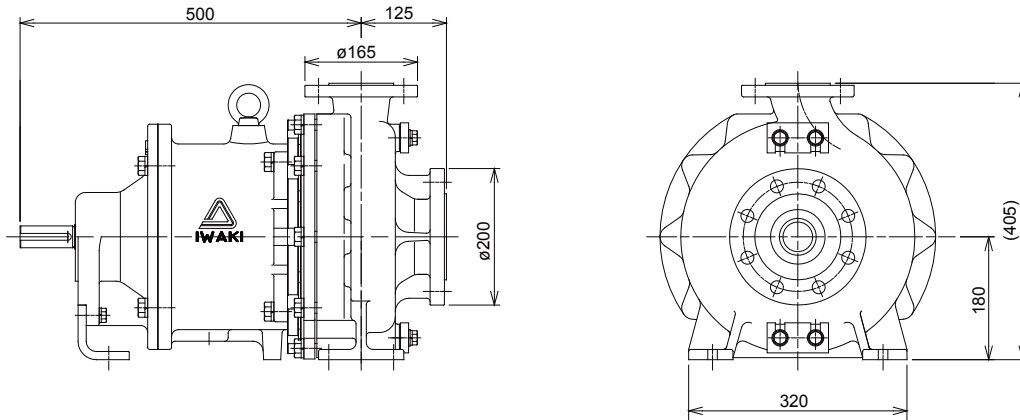
5. Dimensions

See an approved drawing for part names and structure.

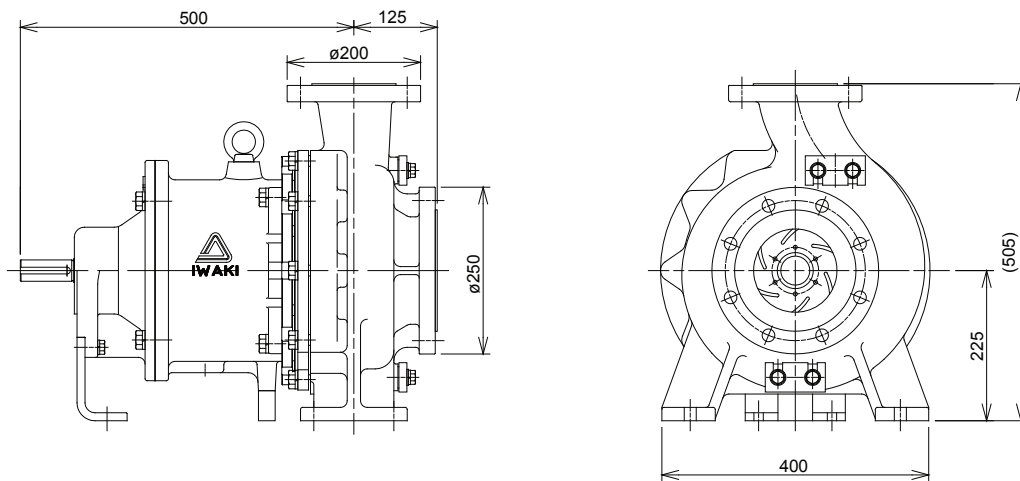
■ Pump unit

See the approval drawing for detail dimension.

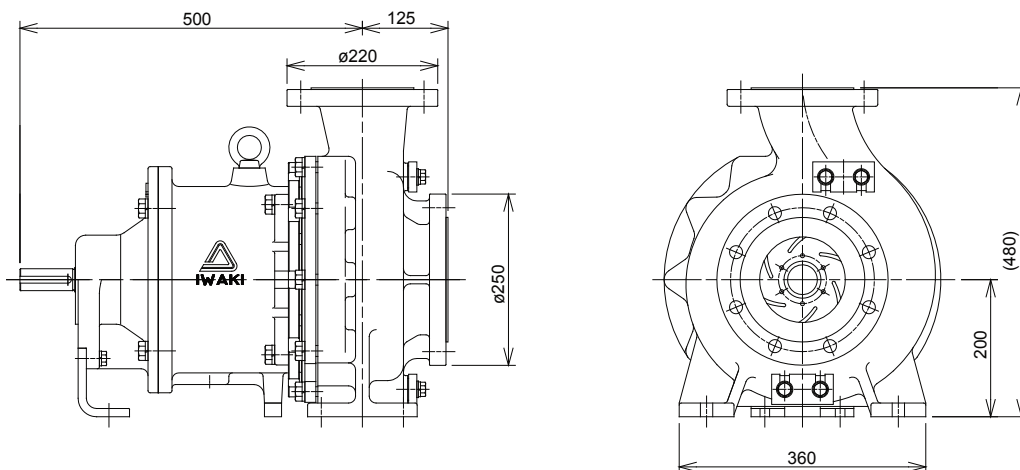
MDW50



MDW80








MDW100



Outline

6. Precautions for use

Read through this section before operation.

 CAUTION	
<ul style="list-style-type: none"> ● Do not run pump dry Sliding parts always need liquid in the pump chamber for lubrication and cooling. Do not produce dry running or closed-discharge operation. The pump unit will be damaged. *If the pump runs dry by mistake, turn off power and leave it for more than one hour to cool it down. Do not refill the pump chamber soon. Quick cooling can give rise to cracks on parts. 	
<ul style="list-style-type: none"> ● Be sure to prime the pump before operation Always prime the pump when it is empty, for example, the pump is used for the first time or after dismantlement/assembly. Running the pump without priming water, internal parts are excessively worn by friction heat and fatal pump damage results. 	
<ul style="list-style-type: none"> ● A specified application only Do not use the pump in anything other than a specified purpose. Observe the specification described on the pump or motor label. 	 <small>Prohibited</small>
<ul style="list-style-type: none"> ● A qualified operator only The pump must be handled or operated by a qualified person with a full understanding of the pump. Any person who is not familiar with this product should not take part in the operation or management. 	

1. Use this pump for sending a liquid only

This pump is not capable of closed-discharge operation. Always keep the minimum flow.

Minimum flow

Model	Motor poles	2P	4P
MDW50		12m ³ /hr (200ℓ/min)	12m ³ /hr (200ℓ/min)
MDW80/100		60m ³ /hr (1000ℓ/min)	12m ³ /hr (200ℓ/min)

2. Observe the following conditions. Contact us or your nearest distributor for detail.

- a. The pump is not capable of slurry and should not be used for it.
- b. Maximum liquid viscosity: 120mPa·s Contact us before sending a liquid over 120mPa·s.
- c. Liquid temperature range:

MDW50: -10 - 120°C MDW80/100: -10 - 105°C	}	Observe the freezing and boiling points of the chemical liquid.
--	---	---

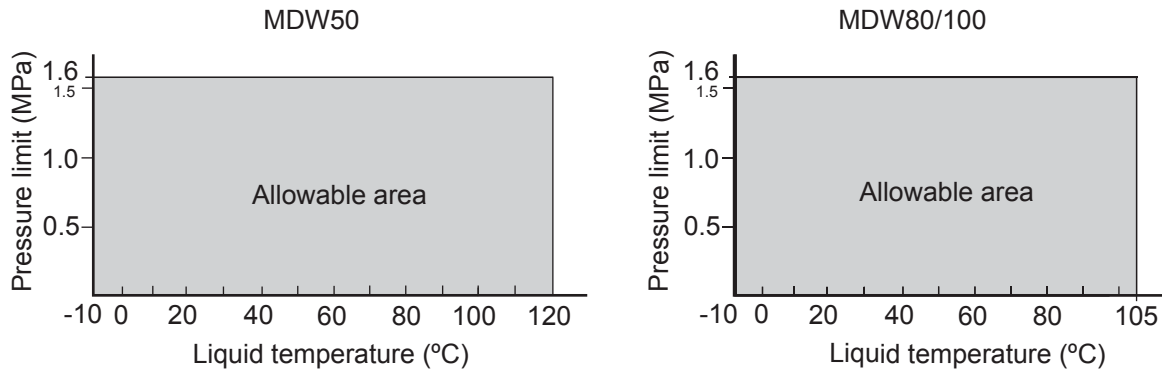
Allowable liquid temperature range varies with chemical liquid. Contact us when a liquid temperature is at or below 0°C.
- d. Ambient temperature: 0-40°C
- e. Ambient humidity: 35-85%RH

*Before operation, see the specification sheet for pump performance.

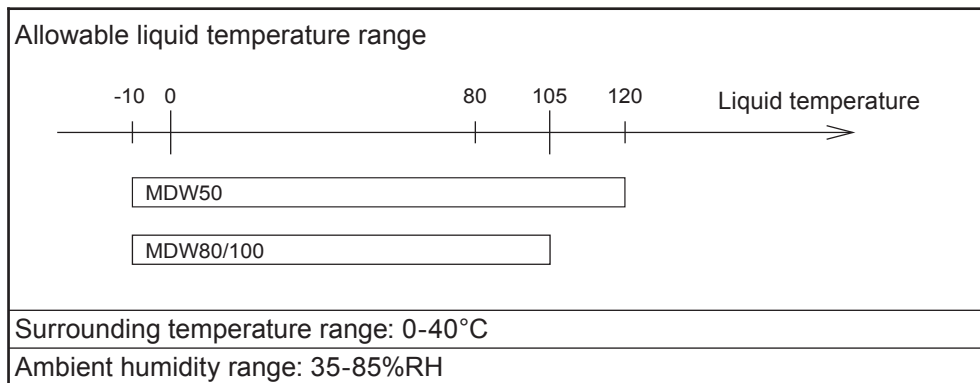
Outline

3. Maximum operating pressure (Discharge pressure limit)

See the graph below for the maximum operating pressure. Always keep a pressure in the pump head within the limit, taking account of specific gravity and suction pressure.



4. Liquid temperature at each model



*Note that viscosity, vapour pressure or corrosiveness changes with liquid temperature. The change is shown in performance such as flow rate while the pump itself is not affected.

- The pump may not send bubbly liquid or high vapour temperature liquid. The allowable liquid temperature range changes with chemical liquid.
- Contact us when liquid temperature is at or below 0°C or beyond the allowable liquid temperature range. The relation between temperature and viscosity, corrosion resistance, freezing, and condensing need to be taken into consideration.
- The allowable liquid temperature range changes with each chemical. See the corrosion resistant table in a separate volume of the Technical information for the allowable liquid temperature range at each chemical.

5. When sending high or low temperature liquid

For high temperature liquid transfer, observe the operating temperature limit of the motor. For low temperature liquid transfer, condensation may build up on the drive magnet and rear casing. In this case, conduct dehumidification.

Outline

6. Slurry

This pump is not designed for sending slurry but then is able to send slurry depending on concentration, particle size and hardness. Contact us for detail.

7. Performance change with specific gravity and viscosity

Shaft power, a flow rate and a delivery head vary with the specific gravity and viscosity of liquid. The pump is designed according to a specified condition. Contact us before changing the specified condition.

8. Use of pump under a negative pressure

Do not use the pump under a negative pressure. Otherwise, the rear casing may deform. If a decompression tank or sealed tank is used in your system, always keep the discharge pressure in the pump head to atmospheric pressure or more at any time during operation or stop. Contact us for detail.

9. Storage

Observe the following requirements for the storage.

1. Cover the inlet and outlet for keeping away foreign matters.
2. The pump should be stored indoors, free from exposure to water and high humidity.
3. Drain liquid out of the pump unit completely for storage after operation. Clean and inspect the pump unit as necessary.

*See manufacturer's instruction manual for the motor unit and coupling.

10. ON-OFF operation

Turning on/off power frequently, the pump is damaged. Keep the number of ON-OFF operations at or below six times per hour.

11. Centring (Coupling)

Conduct centring after mounting/dismounting the pump or motor unit. See page 30 for centring. See manufacturer's instruction manual to conduct centring by yourself.

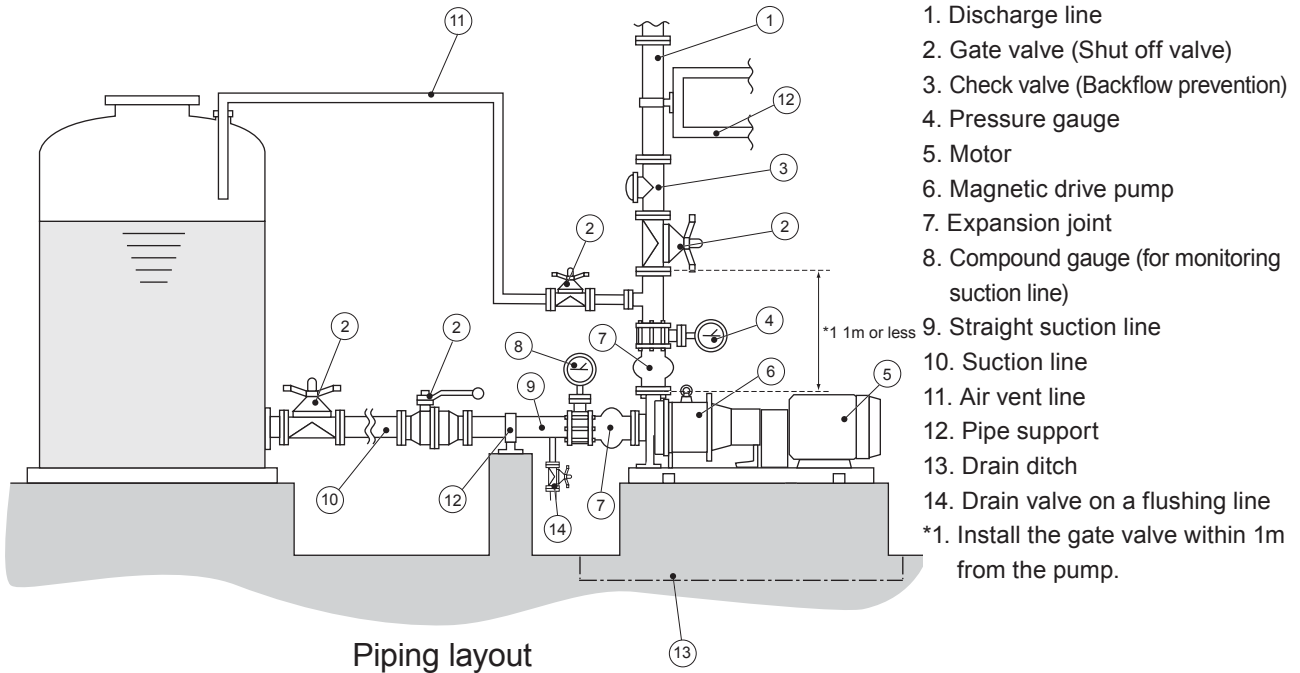
Installation

<i>1. Before installation</i>	<i>15</i>
<i>2. Pipework.....</i>	<i>16</i>
<i>3. Wiring</i>	<i>19</i>

Installation

1. Before installation

Read through instructions in this section to ensure the optimum performance, safety and service of your pump.



1. Discharge line
 2. Gate valve (Shut off valve)
 3. Check valve (Backflow prevention)
 4. Pressure gauge
 5. Motor
 6. Magnetic drive pump
 7. Expansion joint
 8. Compound gauge (for monitoring suction line)
 9. Straight suction line
 10. Suction line
 11. Air vent line
 12. Pipe support
 13. Drain ditch
 14. Drain valve on a flushing line
- *1. Install the gate valve within 1m from the pump.

■ Installation location

1. Keep a work space wide enough for installation or maintenance.
2. Select a flat and sound foundation where is free from vibration for an installation location.
3. The installation location should be free from exposure to water.
4. Provide necessary equipment and a space for carrying in and out.
5. Block the installation location for the prevention of an accidental chemical outflow.

■ Pump position

1. Install the pump as close to the supply tank.
2. Install the pump under flooded suction.

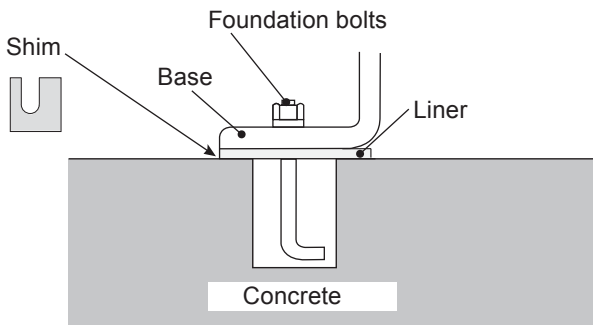
*Pipe resistance changes with liquid characteristics, specific gravity and liquid temperature as well as piping conditions such as suction line length, affecting the pump performance.

*See "2. Pipework" for detailed information.

Installation

■ Foundation work

1. Use a level to check if a foundation is flat. Securely fix the base by foundation bolts.
2. Insert a shim if there is a gap between the base bottom and foundation surface.
3. The foundation should be larger than a pump base footprint.
4. See the diagram and instructions below as necessary.



<Foundation work>

- a. Place the pump onto a foundation. Insert liners between the base bottom and foundation surface to keep a mortar injection space.
- b. Screw nuts in foundation bolts until three threads appear after the nuts. And then insert the bolts in threaded holes.
- c. Place a level on the pump base to see flatness. Inject cement mortar into the threaded holes and wait for three days until it has hardened.
- d. Remove the liners after cement mortar has hardened and check flatness again. Then tighten the nuts on the foundation bolts. If there is a gap, insert a shim.

2. Pipework

1. Foreign matters such as sand and scale may enter pipework during pipework. They may cause fatal damage to the pump. Be sure to blow them out before operation. Also, do not apply adhesive too much or leave a screw or nut.
2. If pipework directly weigh on the pump, deformation or damage may result. Be sure to install pipe supports.
3. Clean pipework before installing the pump.
4. Connect the pump to pipework via inlet and outlet flanges according to the table below. (This table is based on use of metal pipe flanges with rubber gaskets.)

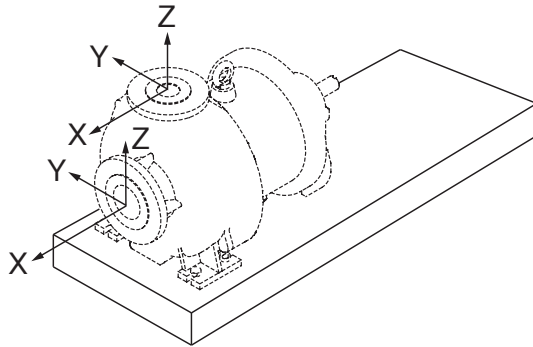
Bolt size	Tightening torque (Reference Value)
M16/M20	20N•m

5. Tighten bolts diagonally at even torque.

Installation

■ Piping load and momentum

Try not to apply a pipe weight to the pump inlet and outlet flanges. Permissible piping weight and moment to the pump are as below.



Permissible stress to inlet & outlet flanges

Load direction	Load kN					
	Outlet flange			Inlet flange		
	MDW50 50A	MDW80 80A	MDW100 100A	MDW50 80A	MDW80 125A	MDW100 125A
F _x	1.27	1.93	2.58	1.93	3.04	3.04
F _y	1.16	1.73	2.31	1.73	2.73	2.73
F _z	1.04	1.58	2.08	1.58	2.46	2.46
ΣF	2.00	3.04	4.04	3.04	4.77	4.77

Permissible moment to inlet & outlet flanges

Load direction	Moment kN•m					
	Outlet flange			Inlet flange		
	MDW50 50A	MDW80 80A	MDW100 100A	MDW50 80A	MDW80 125A	MDW100 125A
M _x	1.08	1.23	1.35	1.23	1.62	1.62
M _y	0.77	0.89	0.96	0.89	1.16	1.16
M _z	0.89	1.00	1.12	1.00	1.46	1.46
ΣM	1.58	1.81	2.00	1.81	2.35	2.35

CAUTION

Install gate valves on both a discharge and a suction line for maintenance. Installing gate valves on the short pipes provided right before the pump inlet & outlet, maintenance will be easier.

Installation

■ Suction line

1. *Select an appropriate tank size*

Using a high flow pump and small supply tank, a liquid level in the tank changes greatly.

2. *End of suction line*

Provide a screen in a supply tank for the prevention of foreign matter interfusion (Clean the screen periodically.).

3. *Install shutoff valves (gate valves)*

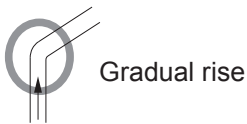
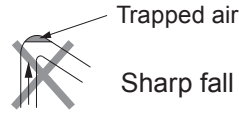
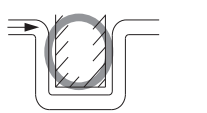
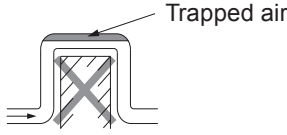
Install shutoff valves (gate valves) for maintenance and inspection work.

4. *Make sure joints on suction line are secure and air doesn't come in*

Try to reduce the number of joints. If air enters suction line, liquid may not be pumped or the pump may break at its worst.

5. *Do not make an arched line in order to prevent air from being trapped*

A suction line right before the pump inlet should be laid on a rising gradient of 1/100 toward the pump.

Acceptable	Unacceptable
	
	

■ Discharge line

1. *Discharge pipe bore is related to pipe resistance*

Pipe resistance rises too high to obtain an intended flow if a discharge pipe bore is too narrow. Degassing efficiency will be affected as well. Install a 500mm straight pipe right after the pump outlet.

2. *Install shutoff valves (gate valves)*

Install shutoff valves (gate valves) for flow rate adjustment, operation start/stop, operation maintenance and inspection work.

3. *Check valve installation*

Install a check valve in the following cases. When selecting a check valve, check its maximum operating pressure to make sure it tolerates a possible pressure rise due to water hammer*1 or backflow.

- a. Discharge line is too long.
- b. Actual delivery head (static discharge head plus discharge pipe resistance) is more than 15m.
- c. The end of discharge line is 9m higher than a liquid level in the tank.
- d. Several pumps are running in parallel.

4. *Install an air vent line*

Lay on an air vent line that branches from between the pump and a check valve for degassing at start-up or maintenance as long as the check valve is provided on a discharge line.

5. *Pressure gauge installation*

A pressure gauge is required to monitor an operating state.

Glossary*1 Shutting off a discharge line at once, liquid pressure change causes an impact pressure, accompanying impact noise and vibration. This phenomenon is called water hammer. Water hammer damages the pump & pipework and may cause leakage.

Installation

3. Wiring

Electrical works or wiring must be carried out by a qualified person according to local laws or regulations. Contact us or your nearest distributor.

1. Use the electromagnetic switch which conforms to the motor specifications such as voltage and capacity.
2. The pump and motor do not have protection equipment. Install an overcurrent protection or earth leakage breaker according to motor specification.
3. Electromagnetic switches and push buttons should be installed away from the pump.
4. If the pump is used out of doors, protect switches from rainwater.
5. Outdoor use motors (Indoor use motors can not be installed out of doors). Outdoor use motors can also be used indoors. Protect the motor and electrical power distribution equipment from possible damage, taking account of act of providence.

■ Electrical motor

Check/adjust the motor before operation.

1. Read through motor manufacturer's instruction manual before operation.
2. Check the rotational direction of the motor after wiring.
3. Be sure to earth the motor.

■ Starting

Use a star-delta starter or an inverter to start the pump.

- When taking full voltage starting, wiring work will be done easier, however, electrical facilities suffer a high striking current (five to seven times larger than a rated current) and then the pump suffers high starting torque & an impact load.
- When taking star-delta starting, acceleration torque increases significantly as connection changes from star to delta. Adjust switching time to reduce a shock of the torque increment. Use of an inverter helps smooth starting with a low striking current.

■ Use of an inverter

Use of an inverter can reduce the motor frequency (revolution) and can contribute to energy saving and long life. Observe the following points for controlling the motor with an inverter.

1. Set a basic frequency according to local electrical environment.
2. Observe the maximum frequency.
3. Observe the minimum frequency (about 25Hz) for individual motor to run continuously. Otherwise, a cooling effect reduces and motor temperature increases, resulting in motor failure or damage.

NOTE: Consult the inverter or motor manufacturer about detail information on the combination of an inverter and motor or how to use.

Operation

<i>1. Before operation</i>	<i>21</i>
<i>2. Operation.....</i>	<i>22</i>
<i>3. Shutdown.....</i>	<i>23</i>

Operation

1. Before operation

CAUTION

- Never run the pump dry or shut off a gate valve on a suction line during operation. This may damage internal parts.
- Stop the pump immediately when it is running under cavitation*1.
- Stop the pump immediately when the magnet coupling is disconnected. Magnetic force reduces if the pump keeps on running for more than one minute in this condition. Remove root cause before resuming operation.
- Keep liquid temperature change within 80°C at any time during operation or stop.
- (In a flooded suction system,) Start the pump in closed-discharge operation (close a discharge gate valve), and then gradually open a discharge gate valve to adjust a flow in order to avoid water hammer..
- Do not keep the closed-discharge operation for one minute or longer. Otherwise, internal parts may be seized or damaged.
- If power is interrupted while the pump is running, switch off the pump immediately and close a discharge valve. Otherwise, water hammer may occur and damage the pump.
- Take extra care for a discharge pressure not to exceed the pressure limit. Refer to page 12, "3. Maximum operating pressure".
- Risk of burning. Pump and pipe surface temperature rise high along with liquid temperature. Do not touch the pump or pipe surface directly in or right after operation.

Liquid temperature	Possible highest surface temperature (at ambient 40°C)
105°C	85°C
120°C	100°C

- The noise level is shown below. In case the pump noise affects human health or communication to secure a safety, provide a noise reduction cover. Be careful not to reduce the cooling effect by a motor fan.

Noise level	95dB
-------------	------



Prohibited



Caution



Caution



Glossary *1 Air bubbles caused by a negative pressure in the pump unit, accompanied with vibration and noise. Performance deterioration or part corrosion results.

Operation

2. Operation

1. Fully close a discharge valve and fully open a suction valve.

2. Prime the pump.

- In the flooded suction application, fully open both discharge and suction valves.
- In the suction lift application, prime a suction line as well as the pump.

3. Rotate the coupling by hand

Check power is disconnected and then remove the coupling cover. Turn the coupling by hand to freewheeling in order for the sliding parts in the pump chamber to be lubricated well.

Repeat hand-turning about ten times and mount the coupling cover.

4. Check rotating direction of the motor.

- Close a discharge valve. Power the motor for a quick moment (within 0.5 second) in order to check the rotation direction. A correct direction is shown with an "arrow" mark on the pump (Clockwise seen from motor fan side).
- Check if the motor fan smoothly stops when it is powered off.

NOTE: If the motor does not stop smoothly, check rotating parts.

5. Air elimination

- Before operation, eliminate air in the pump.
- Fully open a valve on an air bleed line or discharge line. Run the pump for 0.5 second and repeat it 5 to 10 times for air elimination. Check a motor fan to see if the motor stops rotating without interruption.

NOTE: Check the rotating parts in the pump head if the rotation is interrupted.

- After air elimination, fully close a discharge valve.

NOTE: In case air bleed line is not equipped, repeat the momentary run several times with a discharge valve open.

CAUTION

Be sure to make air elimination. Otherwise, pumping failure may result or friction heat may damage internal parts. The air that stays in between the pump and the nearest valve in a pipe line can cause disconnection to the magnet coupling as operation starts.

6. Starting operation

- Start the pump with a discharge valve fully closed. Stop the closed-discharge operation within one minute.
- Confirm that discharge pressure rises to the shut off pressure.
- Gradually open discharge valve to obtain the specified pressure (capacity).

NOTE: Pay attention to the over-load caused by an excessively opened valve.

Operation

⚠ CAUTION

1. Check for loose bolts before operation. Retighten the split plate mounting bolts, the rear casing support mounting bolts and the air vent-/drain-plate mounting bolts by the specified torque. See page 46 and 47 for detail.
2. When the pump keeps running in negative rotation, the pump breaks.
3. Closed-discharge operation should be within one minutes.
4. Make sure that a flow rate is always equal to or more than the minimum. The operation below the minimum flow can reduce the lubricant and cooling effect on the sliding parts. This could lead to failure.

Minimum flow

Model	Motor poles	2P	4P
MDW50		12m ³ /hr (200ℓ/min)	12m ³ /hr (200ℓ/min)
MDW80/100		60m ³ /hr (1000ℓ/min)	12m ³ /hr (200ℓ/min)

Daily inspection

Conduct daily inspection to detect abnormality or determine if the pump should be dismantled or not. The operating condition can be checked by discharge pressure, suction pressure, a flow rate, current and voltage.

3. Shutdown

1. *Slowly close a discharge valve.*

Quick closing by a solenoid valve may cause water hammer and damages the pump. Be sure to slowly close any discharge valve.

2. *Switch off and stop the pump.*

Check that the pump stops smoothly. If the pump stops roughly, inspection is needed.

⚠ CAUTION

When leave the pump stopped for a long period, take a countermeasure against freezing for the prevention of freeze in the pump and piping. In case a blackout interrupts the pump operation, switch off the pump and close a discharge valve.

Maintenance

<i>1. Troubleshooting</i>	<i>25</i>
<i>2. Maintenance & Inspection.....</i>	<i>26</i>
<i>3. Spare & Wear parts</i>	<i>31</i>
<i>4. Assembly & Disassembly.....</i>	<i>33</i>

Maintenance

1. Troubleshooting

Turn off power to stop operation upon sensing abnormalities. And then look for a root cause or contact us as necessary.








Troubles	Symptom		Cause	Point to be checked & Countermeasures
	When a discharge valve is closed.	When a discharge valve is opened.		
Liquid can not be discharged.		The readings of pressure/vacuum gauges drop to zero.	<ul style="list-style-type: none"> • Priming liquid level is too low. • Dry running 	<ul style="list-style-type: none"> • Stop and prime the pump and resume operation. • Dismantle and inspect the pump.
	The pump can not be primed.		<ul style="list-style-type: none"> • A foot valve doesn't close due to foreign matter clogging. 	<ul style="list-style-type: none"> • Clean the foot valve.
	After starting, pressure drops sharply as a discharge valve is opened.	The readings of pressure/vacuum gauges fluctuate and drop to zero.	<ul style="list-style-type: none"> • Air ingress through a suction line or a connection. 	<ul style="list-style-type: none"> • Check if suction line connections are completely sealed. • Check if liquid level in supply tank is not too low.
			<ul style="list-style-type: none"> • A disconnection of the magnet coupling*1 	<ul style="list-style-type: none"> • Check amperage to see if the motor is not overloaded. • Check if foreign matters do not lock the impeller or magnet capsule. • Check if voltage is normal.
A pressure gauge keeps showing a low pressure.		<ul style="list-style-type: none"> • Low pump speed • The pump rotates in reverse. 	<ul style="list-style-type: none"> • Check wiring or motor. • Interchange motor wiring. 	
Discharge capacity is too low.	Pressure & vacuum are normal.	Vacuum is high.	<ul style="list-style-type: none"> • The strainer is clogged with foreign matters. 	<ul style="list-style-type: none"> • Remove foreign matters.
		Vacuum is very high.	<ul style="list-style-type: none"> • Air pocket in suction line 	<ul style="list-style-type: none"> • Check and correct suction line.
			<ul style="list-style-type: none"> • Foreign matters are clogged at impeller inlet. 	<ul style="list-style-type: none"> • Remove foreign matters.
		The readings of pressure gauge & vacuum gauge fluctuate.	<ul style="list-style-type: none"> • Air ingress from a suction line or a connection. 	<ul style="list-style-type: none"> • Check suction line connections and retighten as necessary.
			<ul style="list-style-type: none"> • Discharge line clogs with foreign matters. 	<ul style="list-style-type: none"> • Remove foreign matters or scale from piping.
		Vacuum is high but pressure is normal.	<ul style="list-style-type: none"> • Resistance such as air pocket in suction line. 	<ul style="list-style-type: none"> • Check if there is no arched pipework.
		Vacuum is normal but pressure is high.	<ul style="list-style-type: none"> • Actual delivery head is too high or pipe resistance is too large. 	<ul style="list-style-type: none"> • Check actual delivery head and pipe resistance.
Pressure is low and vacuum is very low.	Both pressure and vacuum are low.	<ul style="list-style-type: none"> • The motor rotates in reverse. 	<ul style="list-style-type: none"> • Interchange motor wiring. 	

Glossary*1 A state that the combination unit of the impeller and magnet capsule does not rotate in sync with the drive magnet.

Maintenance

Troubles	Symptom		Cause	Point to be checked & Countermeasures
	When a discharge valve is closed.	When a discharge valve is opened.		
The motor is overheated.			<ul style="list-style-type: none"> • Voltage has dropped greatly. • Overload • Surrounding temperature is too high. 	<ul style="list-style-type: none"> • Check voltage or frequency. • Check specific gravity and viscosity of liquid. • Keep good ventilation.
The flow rate has dropped suddenly.		Vacuum is high.	<ul style="list-style-type: none"> • A suction line clogs with foreign matters. 	<ul style="list-style-type: none"> • Remove foreign matters.
The pump vibrates.			<ul style="list-style-type: none"> • The base is not anchored firmly. • Anchor bolts are loose. • Cavitation occurs. • Pump bearing is worn or failed. • Magnet capsule or impeller is broken. • Dynamic balance of drive magnet is upset. • Motor bearing is worn. 	<ul style="list-style-type: none"> • Fix the base. • Retighten the bolts. • Remove the cause of cavitation. • Replace as necessary. • Replace as necessary. • Investigate problems and replace as necessary. • Replace bearing or a motor unit.

2. Maintenance & Inspection

 WARNING	
<ul style="list-style-type: none"> • Access limitation The magnet drive pump has a pair of strong magnets. The strong magnet field could adversely affect the persons who are assisted by electronic devices such as the pacemaker. • Turn off power during maintenance work Risk of electrical shock. Make sure a power source is turned off and the pump and devices are stopped prior to work. • Wear protective clothing Coming in contact with a harmful chemical liquid may cause eye or skin trouble. Wear protective clothing such as a protective mask, goggles, gloves during work. 	 Prohibited  Turning off power  Wear protective gear
 CAUTION	
<ul style="list-style-type: none"> • Do not catch the finger Magnetic force of the pump is powerful. Take care not to catch the finger in the bracket. • Do not touch the pump or pipe Risk of burning. Pump and pipe surface temperature rise high along with liquid temperature. Do not touch the pump or pipe surface directly in or right after operation. 	 Caution  Caution

Maintenance

- ▶ Mark each wire so that the wires can be connected correctly to the motor.
- ▶ Do not disassemble the pump beyond the extent shown on this manual.
- ▶ Make sure to close gate valves on the suction and discharge lines before dismantling/assembling the pump. Clean the inside of the pump as well.
- ▶ Magnetic force of the pump is strong. Be careful not to catch the finger in parts. Do not allow iron pieces or powders to be attracted by the magnets.
- ▶ Do not have the magnetic product such as a magnetic disc or a wrist watch close to the magnet capsule or the drive magnet.

CAUTION

Observe the specified tightening torque at each fixing bolt. See "**Bearing housing assembly**" & "**Pump unit assembly**". Always tighten the bolts diagonally and evenly.

■ Daily inspection

1. *Check whether the pump runs without abnormal noise or vibration.*
2. *Check a liquid level in a supply tank and a suction pressure.*
3. *Check that discharge pressure and a motor current value are as per specifications on the nameplate during operation.*

*A discharge pressure is in proportion to the specific gravity of liquid. The cock of a pressure gauge or a vacuum gauge should be opened only when measurement is carried out. Close it right after measurement. If the cock remains open during pump operation, its meter mechanism may be adversely affected by the abnormal pressure rise caused by water hammer action.
4. *If a spare pump is stored, run it from time to time to keep it ready for operation at any time when needed. Always check for leakage before pump operation. Do not run the pump when liquid leaks.*
5. *Check discharge pressure, discharge capacity, and motor power supply voltage to see if they do not fluctuate during pump operation. See page 25 "1. Troubleshooting" as necessary.*
6. *Check every connection on the pump and pipework for a leak in operation.*

Maintenance

■ Periodic inspection

To ensure efficient and smooth operation, perform periodic inspection. Be careful not to damage internal sliding parts and plastic parts when dismantling the pump.

Magnetic force of the pump is strong. Be careful not to catch the finger in parts in dismantlement/assembly work. Do not have the magnetic product such as a magnetic disc or a wrist watch close to the magnet capsule unit or the drive magnet.

- Inspect the pump every six months, logging inspection records.
- For 24-hour continuous operation, inspect the pump every two months.
- Stop operation to dismantle the pump unit and check the internal parts. Try to replace wear parts before they are badly worn. Extra attention is needed to the wear parts used in the magnet capsule and the split plate assemblies. A poor flow or fatal damage may result if they are badly worn.

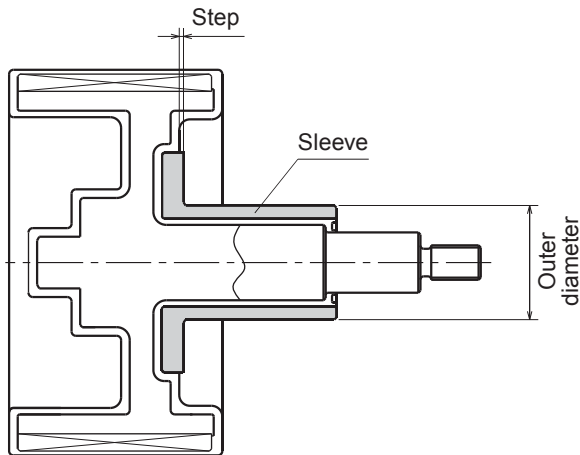
Part names	Inspection items	Measures
Drive magnet unit	<ul style="list-style-type: none"> ● Wear tracks ● If the drive magnet is correctly mounted by hex. socket set screws and they are not loose. ● Decentering of the magnet and motor shaft (Max.1/10mm). 	<ul style="list-style-type: none"> ○ Contact us as necessary. ○ Remount the drive magnet to the motor shaft and retighten the screws. ○ Retighten the hex. socket set screws or check the motor. Contact us as necessary.
Rear casing cover	<ul style="list-style-type: none"> ● Wear tracks 	<ul style="list-style-type: none"> ○ Contact us as necessary.
Rear casing	<ul style="list-style-type: none"> ● Wear tracks on an inner surface. ● Cracks ● Contamination in the rear casing. 	<ul style="list-style-type: none"> ○ Contact us as necessary. ○ Replace as necessary. ○ Clean wet ends.
Magnet capsule assembly <Sleeve>	<ul style="list-style-type: none"> ● Wear tracks on the rear end or side face ● Cracks on the rear end or side face ● Check the wear depth on the sleeve. ● Loose fit of the impeller unit ● Cracks on metal shafts 	<ul style="list-style-type: none"> ○ Contact us as necessary. ○ Contact us as necessary. ○ Replace as necessary. ○ Replace or contact us. ○ Contact us as necessary.
Impeller	<ul style="list-style-type: none"> ● Cracks ● Evidence of cavitation ● Impeller clogging ● Deformation of the impeller unit ● Balance hole clogging 	<ul style="list-style-type: none"> ○ Replace as necessary. ○ Remove the root cause of cavitation. Replace as necessary. ○ Clean wet ends. ○ Replace as necessary. ○ Clean the balance holes.
Front casing	<ul style="list-style-type: none"> ● Contamination on wet ends. ● Cracks ● Improper connection with the split plate ● Drain port clogging ● Swollen gaskets and cracks ● Wear tracks 	<ul style="list-style-type: none"> ○ Clean them. ○ Replace as necessary. ○ Contact us as necessary. ○ Clean wet ends. ○ Replace as necessary. ○ Contact us as necessary.
Split plate assembly <Bearing>	<ul style="list-style-type: none"> ● Contamination on wet ends. ● Check the wear depth and grooves on the bearing. ● Wear depth of the thrust and cracks. ● Wear tracks 	<ul style="list-style-type: none"> ○ Clean wet ends. ○ Replace as necessary. ○ Replace as necessary. ○ Contact us as necessary.

Maintenance

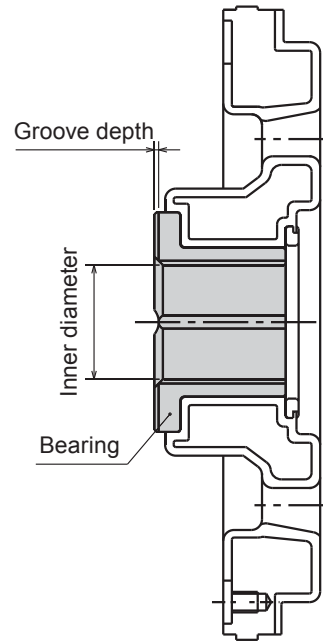
■ Wear limit of the bearing and sleeve

Check the wear depth of the sleeve on the magnet capsule assembly and the bearing on the split plate assembly.

The bearing is a wear part. Note that a bearing life varies with operating conditions such as chemical characteristics and pressure. Replace the parts according to the following wear limit.



Magnet capsule assembly



Split plate assembly

Part names		Before use	Wear limit
Magnet capsule assembly	Sleeve outer diameter	ø58mm	0.25mm
	Sleeve step	2mm	1mm
Split plate assembly	Bearing inner diameter	ø58mm	0.25mm
	Bearing groove depth	3mm	1mm

1. The above table shows wear limits of the bearing and sleeve.
2. If the clearance between the bearing and the sleeve exceeds 0.25mm, replace them regardless of the wear limit.
3. Sliding parts such as the bearing and sleeve may suffer initial wear in an initial operation phase. Note that this is not abnormal. The initial wear stops hours later.

Maintenance

■ A ball bearing life

The bearing housing on the pump accommodates sealed ball bearings.

Grease filling is not necessary. The life limit and heat resistance of grease change with operating conditions. Conduct periodic inspection.

Check and log the mechanical noise, vibration and surface temperature of the bearing housing every day to detect trouble on the ball bearings at an early stage.

<Time for replacement>

Replace the ball bearings at the end of life. See page 32 "**Wear parts**" to get a rough idea on the time for replacement.

Periodically check for water ingress, seizing, corrosion and cracks. Replace the ball bearings before the time for replacement as necessary. The ball bearings are a precision component. Handle it with care.

■ Centring (Coupling)

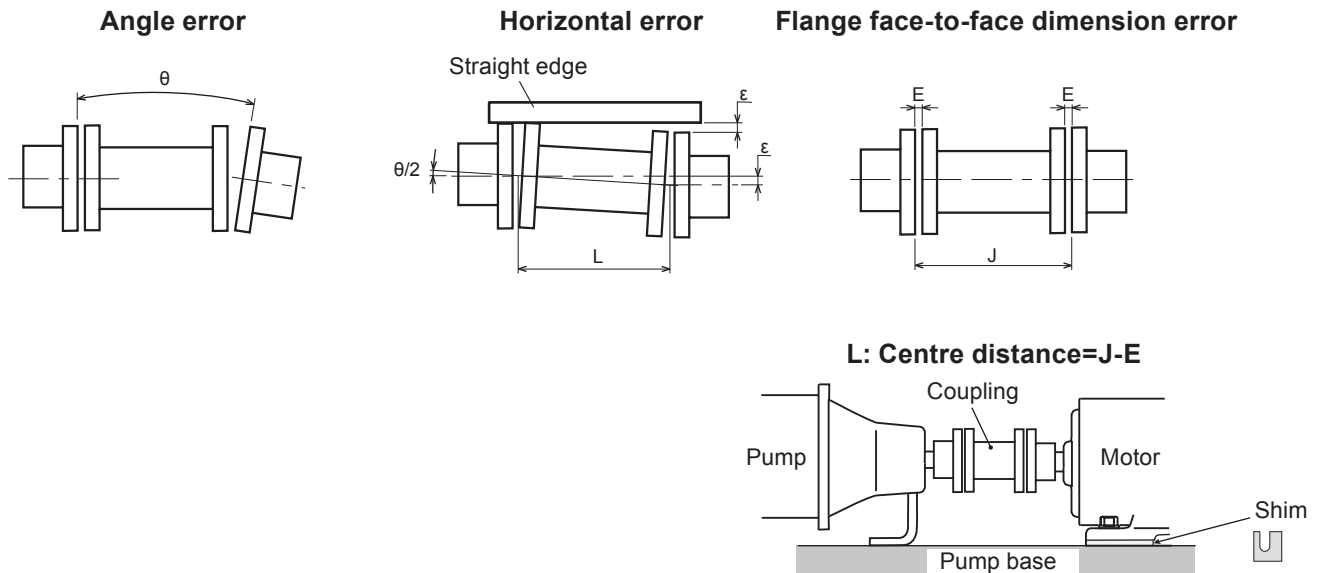
Centre the coupling after the pump unit and the motor unit are separated for maintenance and then integrated again.

Observe an allowable angle error, horizontal error and flange face-to-face dimension error.

For correcting a horizontal error, align each part of the coupling on a straight edge at both top and side lines.

See manufacturer's instruction manual or specification sheet to conduct centring by yourself.

Use a clearance gauge and check a gap. Use a shim as necessary.




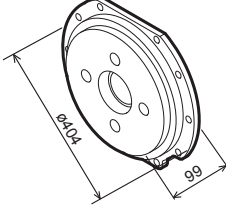
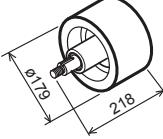
Maintenance

3. Spare & Wear parts

Appropriate spare parts are necessary for a long period of continuous operation. We recommend that wear parts be always in stock. Place an order for spares with the following information.

1. Part names and part number (See an approval drawing if you have.)
2. Pump model identification code and Mfg number (See specification label.)

■ Spare parts

No.	Part names	Contents	Q'ty	Remarks
230	Impeller		1	
337 + 314 + 540	Split plate assembly		1	Split plate + Bearing + Thrust
370 + 859	Magnet capsule assembly		1	Magnet capsule unit + Sleeve

Maintenance

■ Wear parts

Place an order for spares with the pump model, a part name and a part number. The time for replacement shown below is based on an operating condition with ambient temperature clean water and changes with operating conditions such as a liquid characteristic and temperature. Take the time for replacement as a guide. Stock wear parts such as bearing and sleeve for emergent replacement or repair.

Part No.	Part names	Part selection No.	Time for replacement
310	Bearing	MDW0019	10,000 Hr (NOTE1)
370	Sleeve	MDW0026	10,000 Hr (NOTE1)
321	Ball bearing	MDW0021	15,000hr at 50°C or below 7,500hr at 50-70°C (NOTE2)
400.1	Gasket	MDW0027	At every periodic inspection (NOTE3).
400.2	Gasket	MDW0028	At every periodic inspection (NOTE3).
400.5	Drain gasket	MDW0029	At every periodic inspection (NOTE3).
400.6	Air vent gasket	MDW0030	At every periodic inspection (NOTE3).
412.1	O ring	MDW0031	At every periodic inspection (NOTE3).
412.2	O ring	MDW0032	At every periodic inspection (NOTE3).
420	Oil seal	MDW0033	Replace it along with the ball bearing.
-	Fluorinated grease	ACC0130	Apply when assembling the pump unit (NOTE4).

NOTE 1: Replace the bearing and sleeve with new ones when they have been worn badly before the time for replacement. See page 29 for detail.









NOTE 2: The ball bearing life may be reduced under a harsh operating condition. Try to replace wear parts before they are badly worn.

NOTE 3: Replace gaskets and O rings every time the pump unit is dismantled for maintenance. Note that sealing performance is reduced if gaskets and O rings are reused.

NOTE 4: Contact us for the fluorinated grease.

Maintenance

4. Assembly & Disassembly

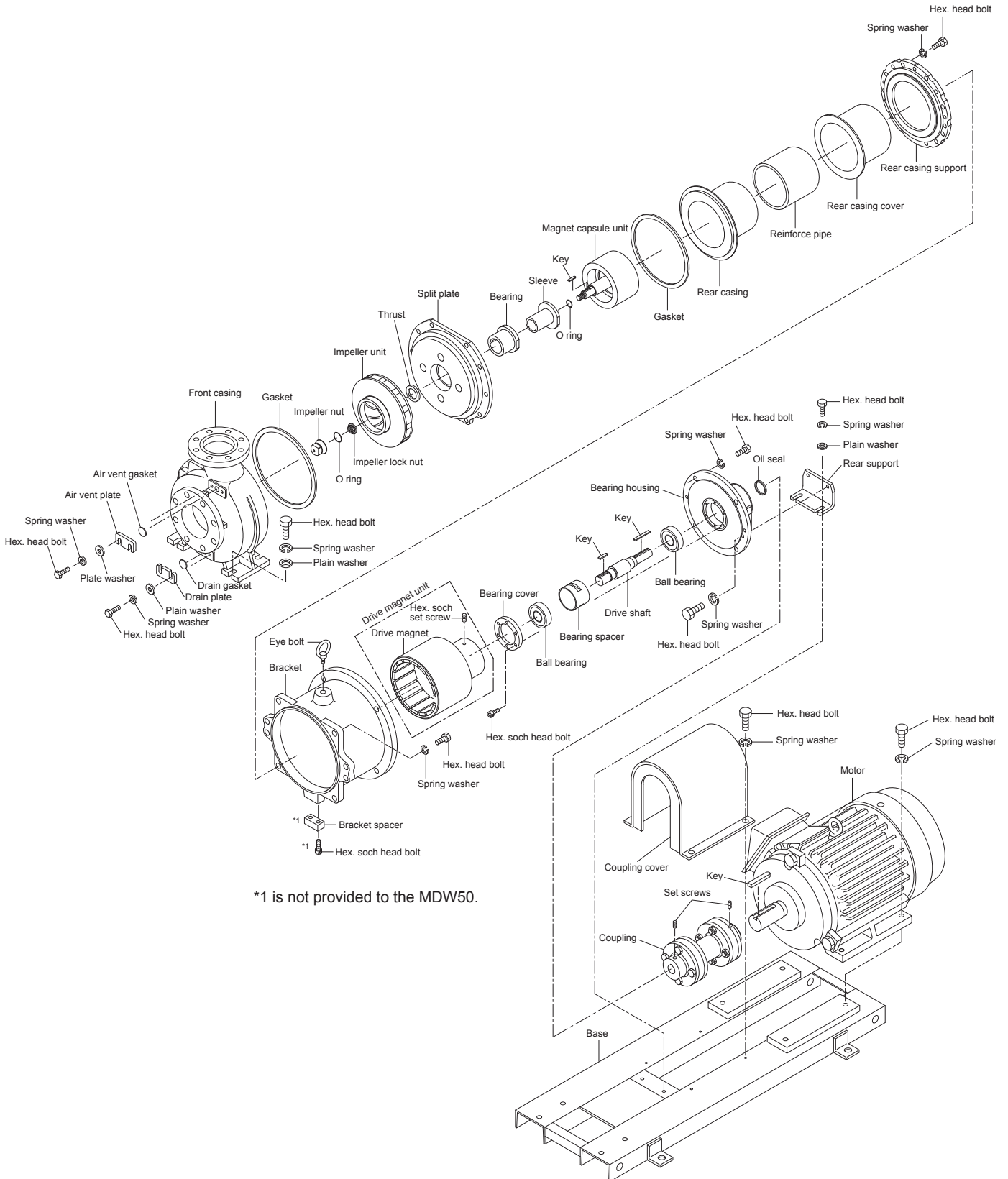
 WARNING	
<ul style="list-style-type: none"> ● Access limitation The magnet drive pump has a pair of strong magnets. The strong magnet field could adversely affect the persons who are assisted by electronic devices such as the pacemaker. ● Turn off power during maintenance work Risk of electrical shock. Be sure to turn off power to stop the pump and related devices before work. ● Wear protective clothing Coming in contact with a harmful chemical liquid may cause eye or skin trouble. Wear protective clothing such as a protective mask, goggles, gloves during work. 	 Prohibited  Turning off power  Wear protective gear
 CAUTION	
<ul style="list-style-type: none"> ● Do not catch the finger Magnetic force of the pump is powerful. Take care not to catch the finger in the bracket. Do not allow iron pieces or powders to be attracted by the magnets. ● Heavy parts A heavy part should be handled by two persons or more. Keep your working area clean. ● Magnetic force affects magnetic disks/cards and wrist watches A pair of strong magnets is mounted in the pump and its magnet force may affect magnetic disks/cards or wrist watches. Do not bring them close to the pump. 	 Caution  Caution 

Necessary tool list

No.	Names	MDW50/80/100	Remarks
1	Spanner	ND: 13, 19 and 24mm	For M8, M12 and M16
2	Hexagon wrench	Width across flat: 4 and 5mm	
3	Bearing removal/press-fit tool	ø70×100L One each	Plastic bar: The end of bar should be flat. We can make the bar if requested.
4	Oil seal press-fit tool	ø54×50L One each	
5	Plastic welder or dryer	One each	
6	Hand press	One each	
7	Plastic hammer	One each	
8	Puller	One each	150 and 300mm class
9	Torque wrench	Two each (Large and small ones)	50 and 100N•m class
10	Bar	Two each	300mm class
11	Guide bolts (Attachments)	Two each	
12	Hex bolts (Attachments)	Two each	M12×130

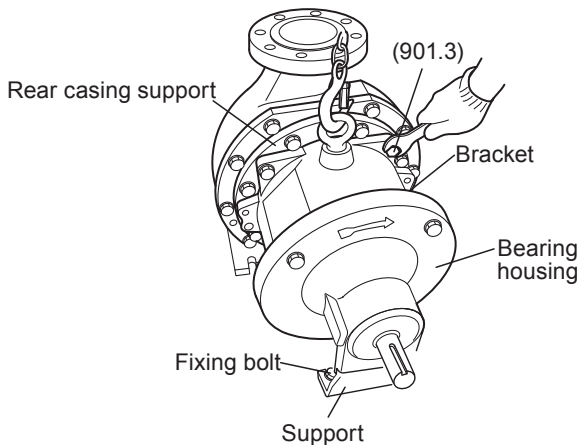
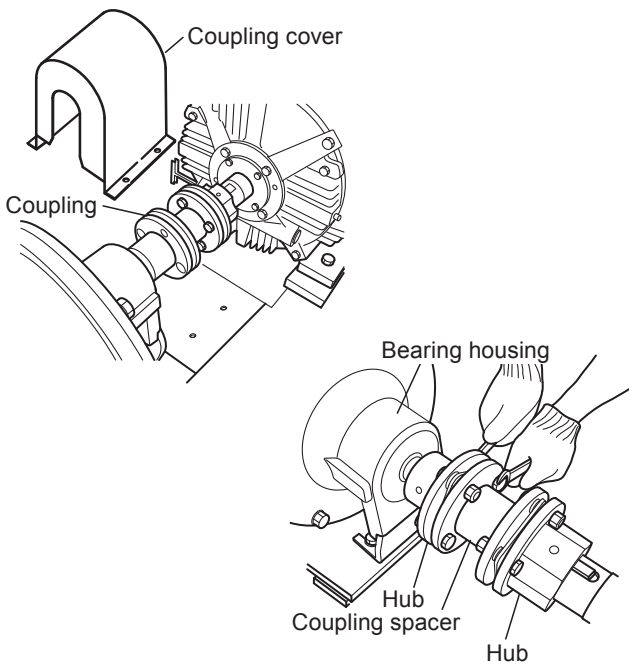
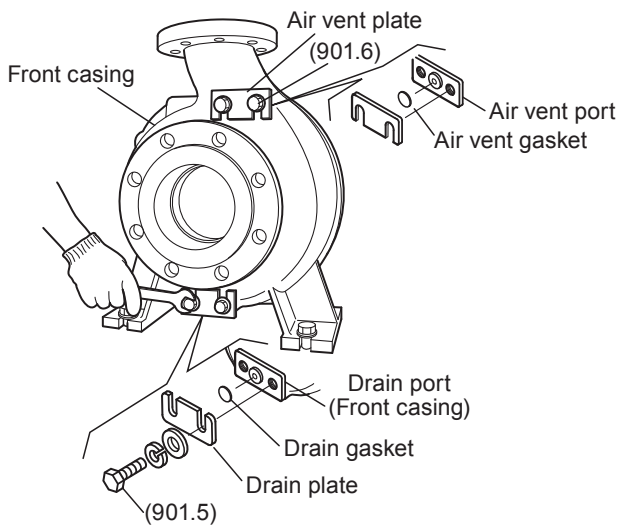
Maintenance

- ▶ Be sure to close gate valves on both suction and discharge lines before dismantlement.
- ▶ See this exploded view when dismantling/assembling the pump. Do not dismantle the pump beyond the extent of instructions in this manual.



*1 is not provided to the MDW50.

Maintenance



■ Pump unit dismantlement

1. Remove the hex. head bolts (901.5) on the drain plate to release chemical liquid out of the pump unit.

⚠ CAUTION

If the hex. head bolts are loosened at once, liquid may fly off, resulting in personal injury.

Loosen the hex. head bolts (901.6) to adjust a drainage rate as necessary.

For the pump models without drain and air vent ports, neutralize or flush chemical liquid out of the pump unit before disassembly work.

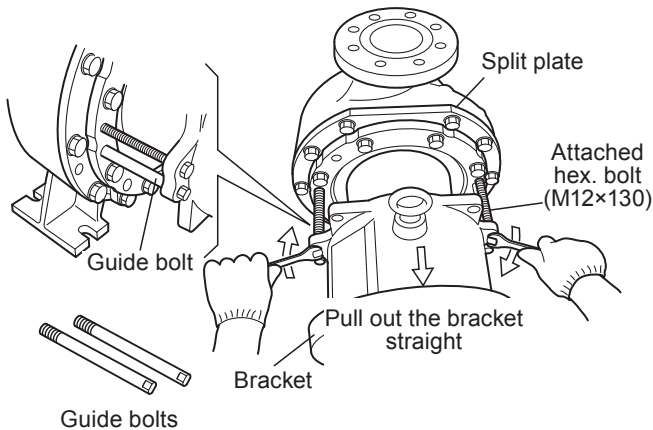
2. Remove the coupling cover and the coupling spacer. Remove hubs as necessary. See manufacturer's instruction manual for handling of the coupling.

3. Remove the bolts which are fixing the support to the base.

**Lift and move the motor unit backward to make space for the bearing housing removal. Otherwise, free the pump unit from pipework and move it forward.*

4. Remove the hex. head bolts (901.3) which are fixing the bracket.

Maintenance

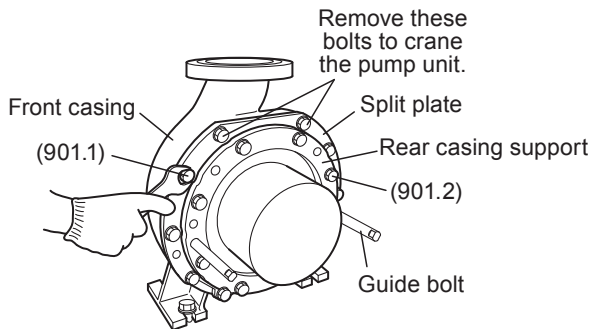


5. Screw the guide bolts into the rear casing support via both bottom holes on the bracket edges.

6. Take the attached two hexagon bolts (M12x130) and screw them into both upper holes on the bracket edges in order to pull the bracket out of the pump unit. Always screw the bolts in turn diagonally and evenly.

Remarks

Guide bolts help you pull the bracket out straight and also prevents the drive magnet unit from clashing with the rear casing cover.

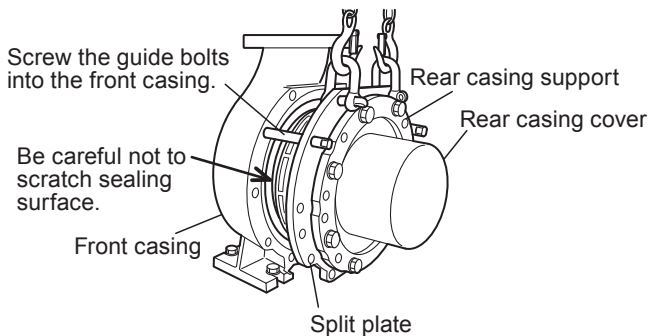


7. Unscrew guide bolts from the rear casing support. And then screw the bolts into the front casing through the split plate.

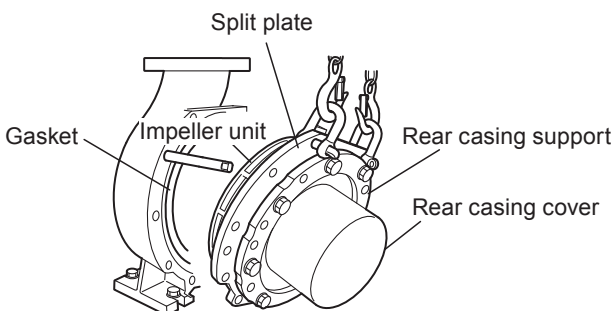
*Remove two split plate fixing bolts (upper ones) and hook the pump unit by the crane in order to support the split plate and accompanying parts. Be careful not to scratch the sealing surfaces on the front casing and the split plate.

⚠ CAUTION

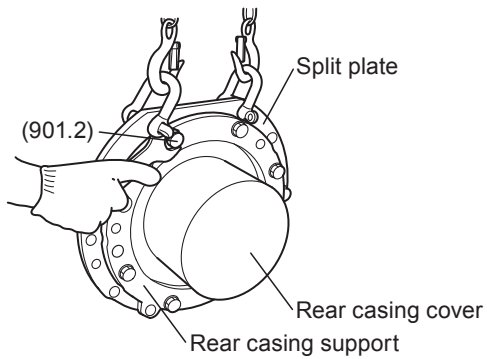
Be careful not to get wet with residual chemical liquid in the pump unit.



8. Crane the split plate with accompanying parts to separate them from the front casing.



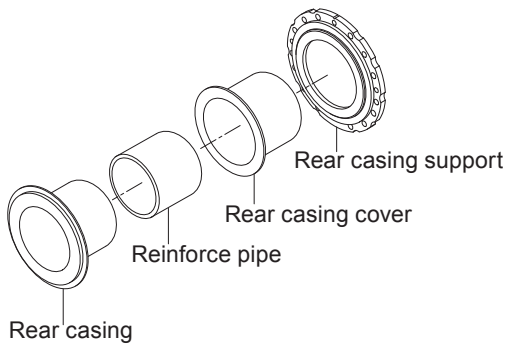
Maintenance



9. Remove the hex head bolts (901.2) and remove the rear casing support.

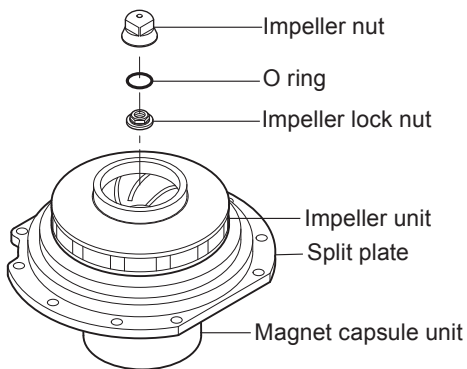
⚠ CAUTION

Be careful not to get wet with residual chemical liquid in the pump unit.

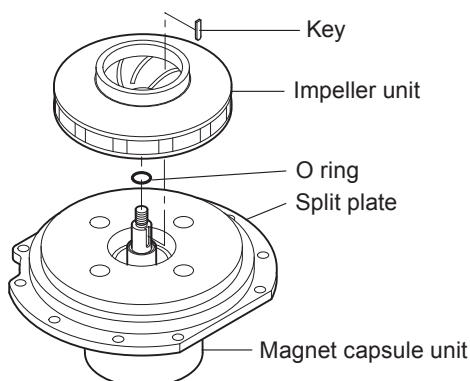


10. Remove the rear casing cover and the rear casing. Be careful not to scratch a sealing surface on the rear casing.

*Do not remove the reinforce pipe from the rear casing.



11. Remove the impeller nut and the impeller lock nut.

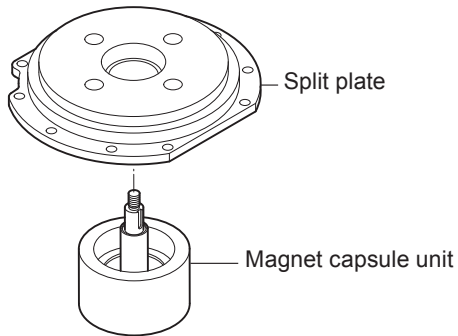


12. Pull the impeller unit out of the split plate. Jiggle the impeller unit as necessary.

*Be careful not to damage the impeller unit when using a puller.

Maintenance

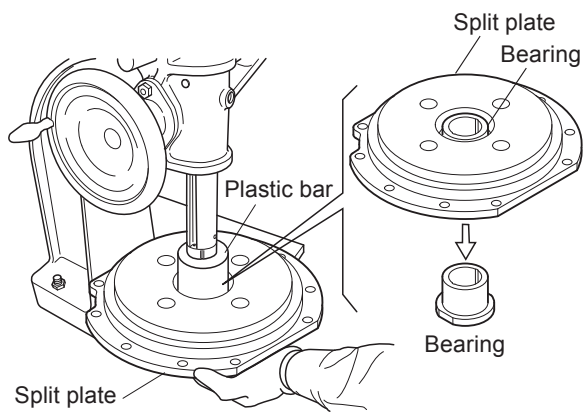
13. Pull the split plate up straight from the magnet capsule unit. Do not tilt the split plate. Otherwise, the bearing and sleeve may seize.



14. When demounting the bearing...

Carefully push the bearing out by the hand press via a plastic bar as necessary.

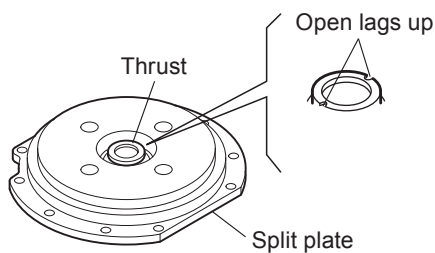
*Be careful not to drop the bearing onto the floor. Otherwise, the bearing may break.



15. When demounting the thrust...

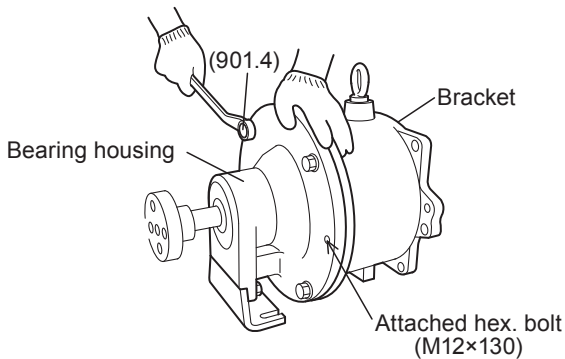
Remove the thrust when it is worn or cracked.

Heat the lugs on the thrust by a plastic welder or an industrial dryer and open them up. And then lightly push the thrust out from the other side by a plastic bar or a slotted screwdriver.



Maintenance

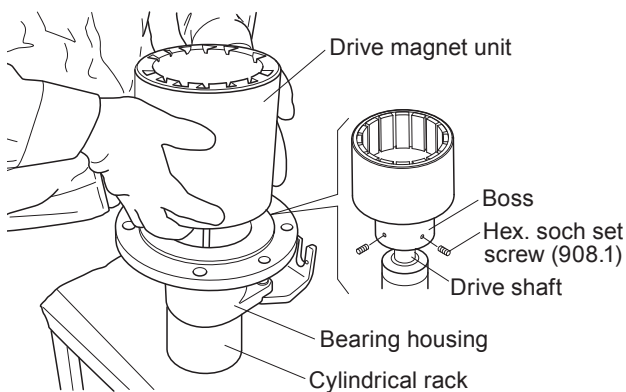
■ Bearing housing dismantlement



1. Remove the hex. head bolts (901.4) on the bearing housing and detach the bracket. Note that strong magnetic force is attracting the bracket. Be careful not to hit the bracket against the drive magnet unit.

*When it is hard to detach the bracket...

Take the attached two hexagon bolts (M12×130) and screw them into both holes on the bearing housing edges in turn in order to push the bracket out of the bearing housing.



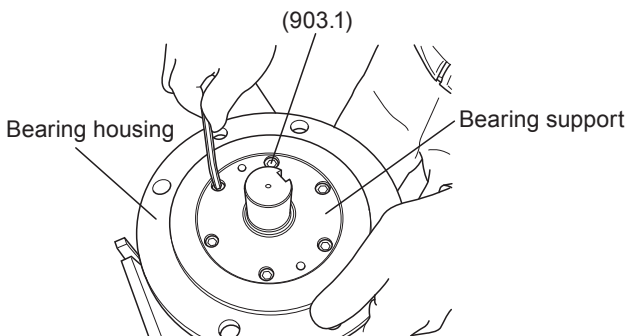
2. Loosen the hex soch set screws (908.1) and remove the drive magnet unit from the drive shaft. Then remove a key from the shaft.

*When it is hard to detach the drive magnet unit...

Use a lever or puller. Be careful not to damage the inner surface of the drive magnet unit when using a puller. Protect the inner surface with a thick cloth or plastic pipe.

Heating the boss with an industrial dryer will help easy removal.

*The drive magnet unit may drop off when using a lever. Assistance by another person is required.

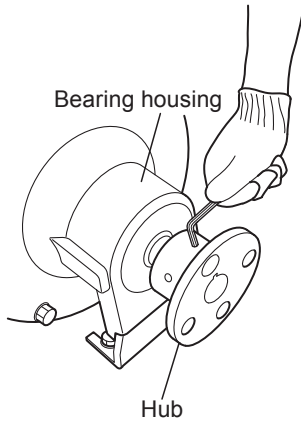


3. Remove the hex. soch head bolts (903.1) and detach the bearing cover.

*The bearing housing slides down as the bolts are loosened as long as the bearing housing is placed with the bearing cover upward, like the left picture shows.

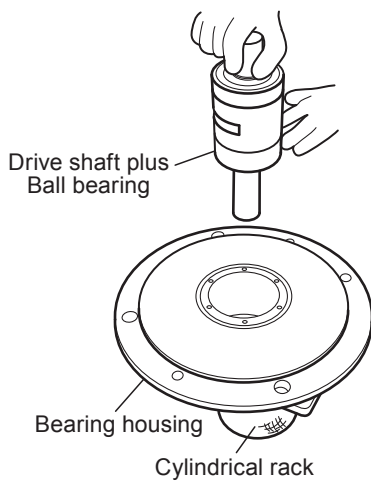
Maintenance

4. Remove the hub and key from the drive shaft.



5. Pull out the drive shaft along with the ball bearing from the bearing housing.

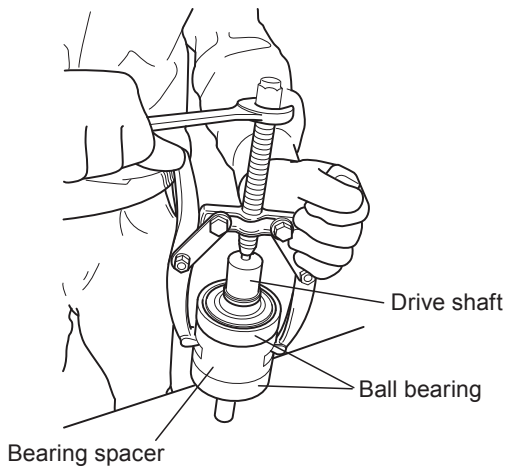
*In case the drive shaft can not be removed, tap the shaft end with a plastic hammer to push it out straight.



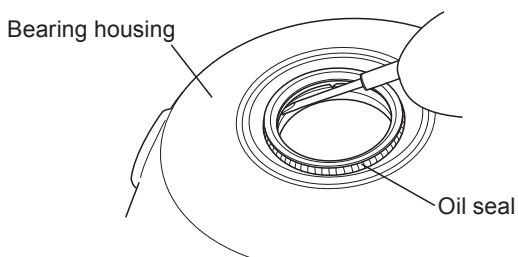
6. Remove the ball bearing and the bearing spacer from the drive shaft.

⚠ CAUTION

Do not scratch the sliding surface on the drive shaft where comes in contact with the oil seal.



7. Use a slotted screwdriver and take out the oil seal from the bearing housing for replacement as necessary.



Maintenance

■ Bearing housing assembly

• Precautions for assembly

Assembly can be made in reverse procedures to dismantlement. Pay attention to the following points.

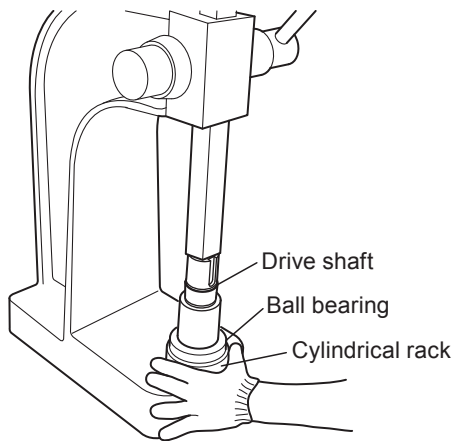
See manufacturer's instruction manual for detail information on the ball bearing and oil seal.

Always apply even torque to each bolts diagonally, in turn.

• Cleaning of the bearing housing

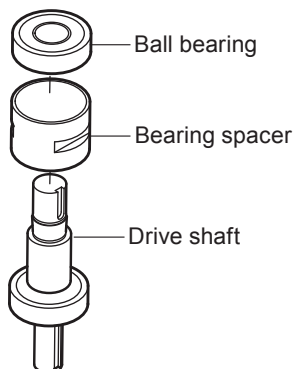
Keep the inside of the bearing housing clean and free from scratches and apply grease for easy ball bearing mounting. Also, clean and apply grease to the oil seal mounting groove and the sliding surface of the drive shaft where comes in contact with the oil seal.

1. Use a hand press to press-fit a ball bearing into the drive shaft.

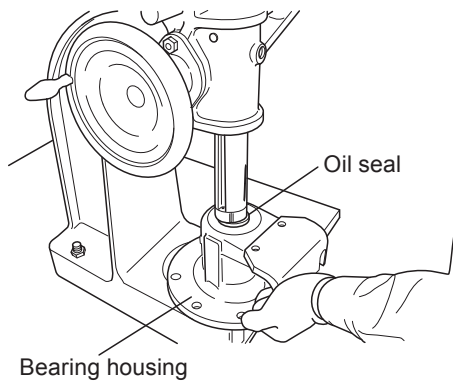


2. Place the bearing spacer on the ball bearing along with its circumference. And then press-fit the other ball bearing into the shaft.

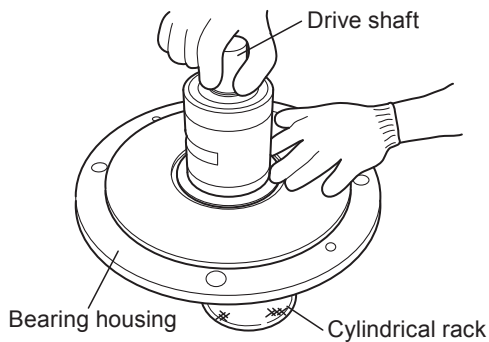
*Be sure to fit the ball bearing into the bearing spacer bore.



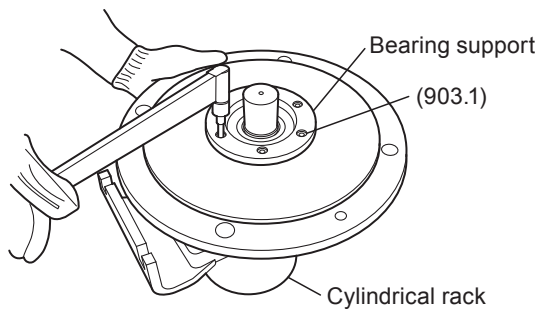
Maintenance



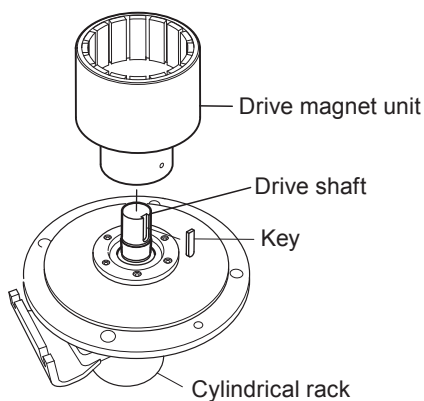
3. Use a hand press to press-fit the oil seal into the groove on the bearing housing via a plastic bar.
*Be sure to apply grease to the groove on the bearing housing and the sliding surface of the drive shaft.



4. Mount the drive shaft assembly into the bearing housing.
*Place the bearing housing on a cylindrical rack. The rack depth should be long enough to accommodate the shaft length.
*Be careful not to slide the bearing spacer out of alignment. Clean the inside of bearing housing and apply grease.

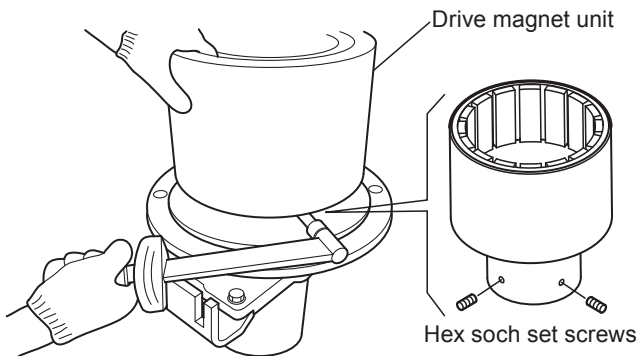


5. Mount the bearing cover with the hex. soch head bolts (903.1).
Tightening torque: 8.0N·m



6. Fit the key onto the drive shaft and then mount the drive magnet unit.

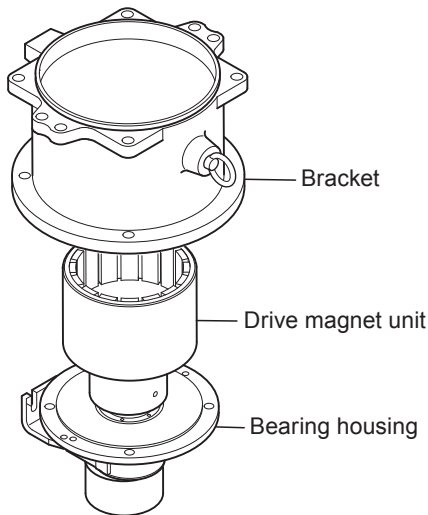
Maintenance



7. Unscrew the hex socket set screws (908.1) once and apply the LOCKTITE to threads. And then screw them to fix the drive magnet unit by the tightening torque below.

Tightening torque: 15N·m

Recommended adhesive: LOCKTITE No.242

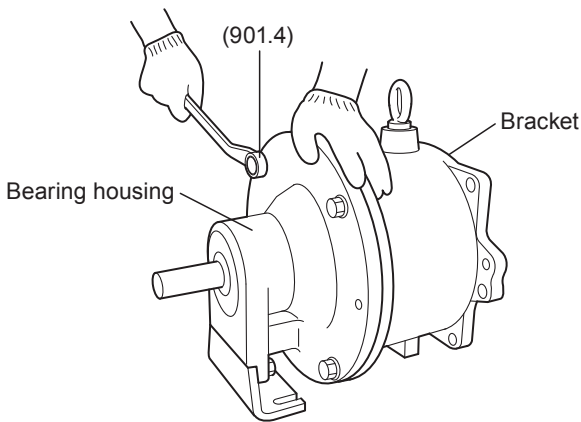


8. Place the bracket to the bearing housing.

*Note that strong magnetic force is attracting the bracket. Be careful not to hit the bracket against the drive magnet unit.

⚠ CAUTION

Be careful not to catch the finger or hand in between the bracket and bearing housing.



9. Place the bracket and bearing housing on the level and fix them with hex head bolts (901.4).

Maintenance

■ Pump unit assembly

• Precautions for assembly

Wet a cloth with tap water and wring it out for cleaning the pump. Use a neutral detergent for greasy dirt and then rub with a dry cloth. Do not wipe labels or the pump body with any solvent.

• Cleaning of the magnet capsule unit

Do not allow iron pieces or powders to be attracted by the magnets. Get rid of those matters from the magnet capsule unit before assembly.

• Cleaning of ceramic sliding parts: Bearing, Sleeve and Thrust.

Keep the bearing, sleeve and thrust, specially sliding surfaces, clean and free from scratches.

Assembly can be made in reverse procedures to dismantlement. Pay attention to the following points.

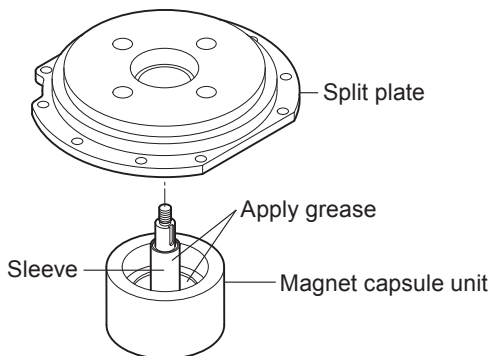
• Gasket/O ring replacement

Do not reuse a gasket or an O ring which has been removed once. Always replace them with new ones.

Otherwise, sealing performance reduces. Be sure to fit a gasket or an O ring in place. Clean sealing areas before fitting them.

• When fastening bolts...

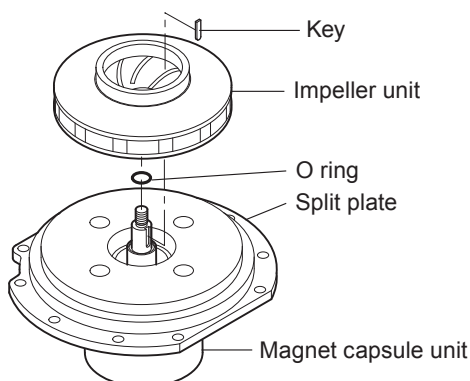
Always apply even torque to each bolts diagonally, in turn.



1. Place the O ring into the groove on the shaft of the magnet capsule unit.

2. Put grease at your fingertip and apply it slimly over the sliding surfaces of the sleeve. Wipe off extra grease with a clean cloth. Otherwise, failures such as seizing, speed reduction and over current may result.

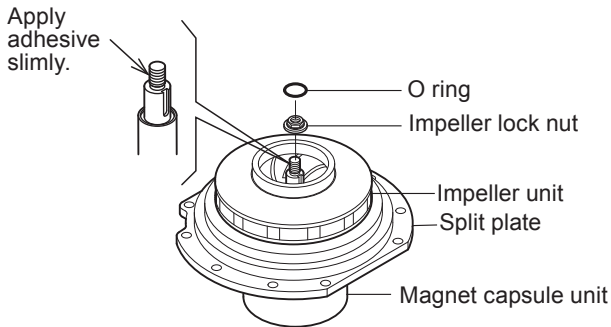
3. Mount straight the split plate assembly to the magnet capsule unit. Do not tilt the split plate. Otherwise, the bearing and sleeve may seize.



4. Insert the impeller unit to the shaft, mating the key groove.

5. Fit the key into the key groove.

Maintenance

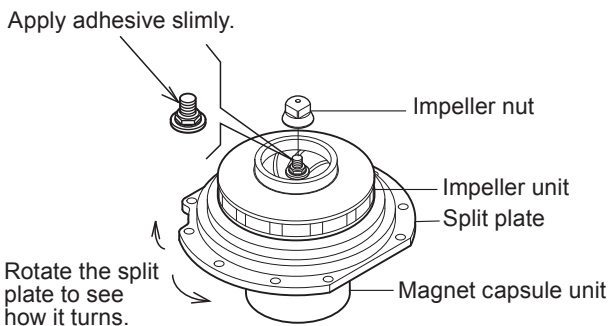


6. Fit the O ring into the groove on the impeller unit in place.

7. Tighten the impeller lock nut while holding the magnet capsule unit. Apply adhesive slimly on the threads of the shaft not to allow the nut to loosen.

Tightening torque: 38N·m

Recommended adhesive: LOCKTITE No.222

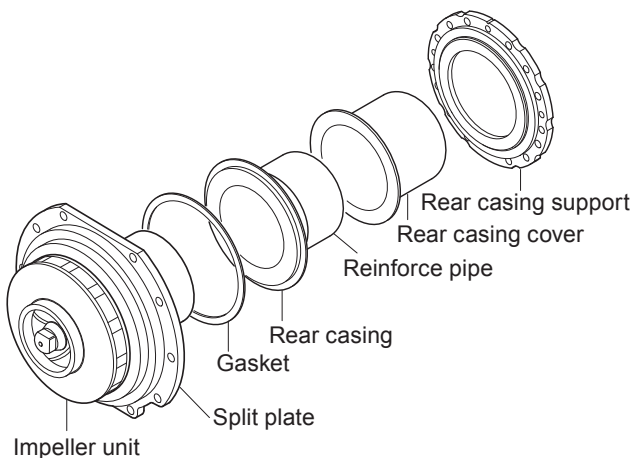


8. Tighten the impeller nut while holding the impeller unit. Apply adhesive slimly on the threads of the shaft not to allow the nut to loosen.

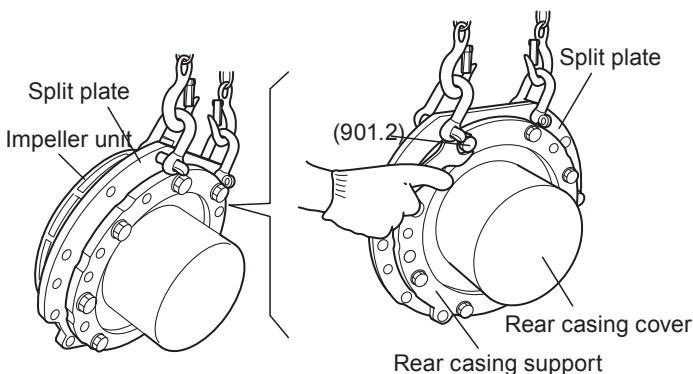
Tightening torque: 25N·m

Recommended adhesive: LOCKTITE No.222

*Rotate the split plate right and left to see if it turns smoothly. If the split plate does not rotate, reassemble them.



9. Remove foreign matters from the magnet capsule unit. Then place the gasket in the split plate. And then fit the rear casing and the rear casing cover.

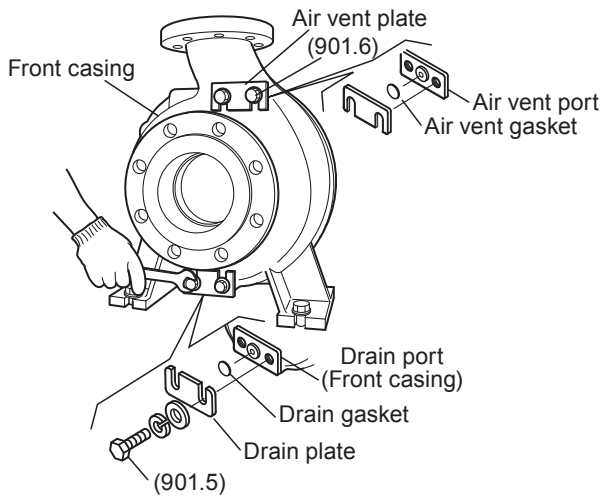


10. Hold up the split plate with the crane for the impeller unit not to be pressed onto a floor. Then temporary mount the rear casing with the hex. head bolts (901.2).

*Keep the impeller unit free from the load of the split plate or magnet capsule unit.

11. The hex. head bolts (901.2) are going to be tightened at tightening torque when mounting the split plate assembly to the front casing later.

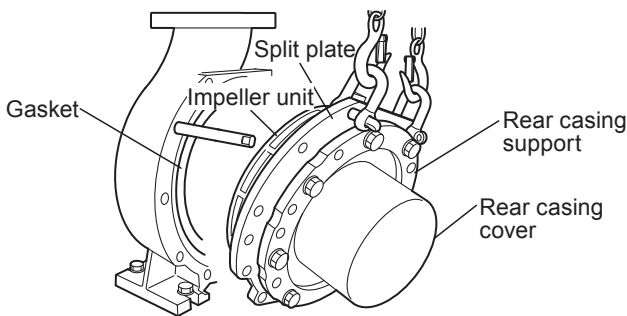
Maintenance



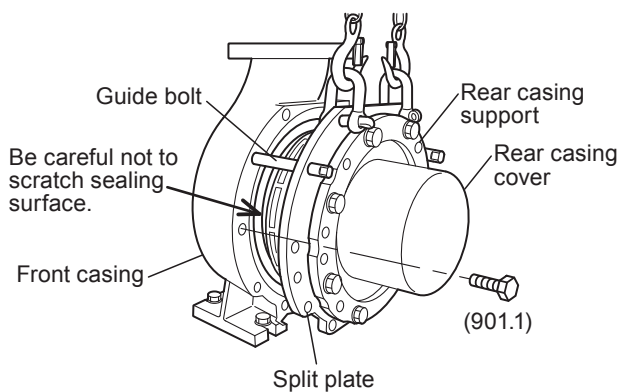
12. Place an air vent gasket and an air vent plate on the air vent port which is positioned on top of the front casing. And fix them with the hex head bolts (901.6) Place a drain gasket and drain plate on the drain port which is positioned at the bottom of the front casing. And fix them with the hex head bolts (901.5).

Tightening torque: 20N·m

*No gasket is provided under the air vent plate or drain plate if an air vent port and a drain port are not open.

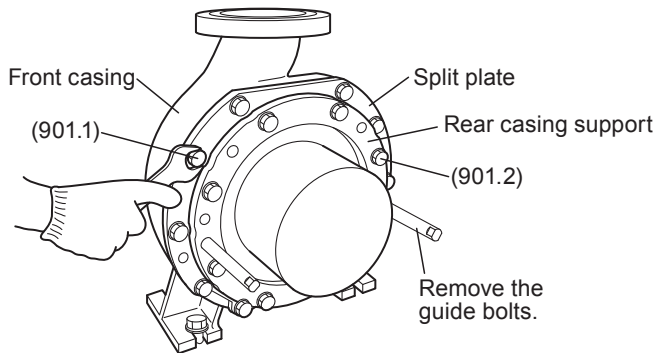


13. Place the gasket in the front casing. If the gasket can't stay in the groove on the front casing, slimly apply fluorine grease so that the gasket can't come off.



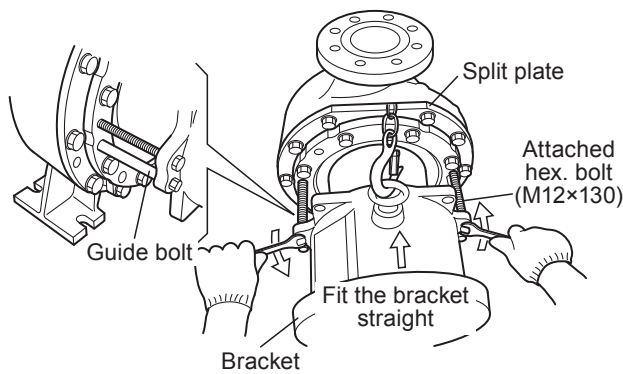
14. Crane and mount the split plate assembly into the front casing and then fix it with hex head bolts (901.1). Install guide bolts to both sides of the front casing for easy mounting. Do not hit the impeller unit onto the front casing when not using guide bolts.

Maintenance



15. Tighten the rear casing support fixing bolts (901.2) and split plate assembly fixing bolts (901.1) at the tightening torque below.

Tightening torque: 100N·m



16. Remove the guide bolts and install them on the rear casing support. Take the attached two hexagon bolts (M12×130) and screw them into both upper holes on the bracket edges all the way. Using guide bolts, the bracket can be mounted straight without hitting against the rear casing cover.

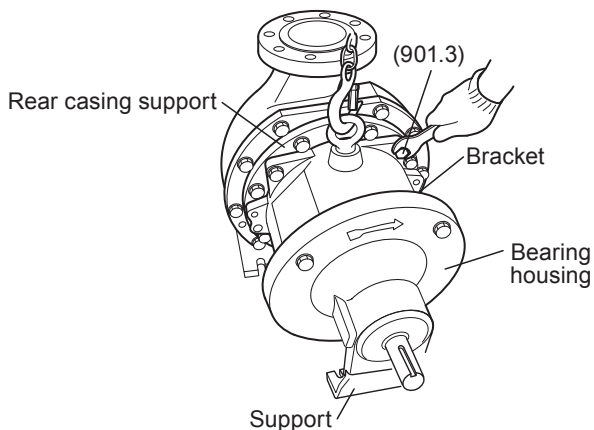
17. Crane and mount the bracket into the pump unit.
*Always use guide bolts when mounting the bracket into the pump unit. Be sure to keep the pump unit horizontal.

⚠ CAUTION

Be careful not to catch the finger or hand in between the bracket and the pump unit.

18. Insert the bracket straight into the rear casing support by loosening the attached two hexagon bolts (M12×130) gradually and evenly.

19. Fasten the bracket with the rear casing support using hex head bolts (901.3).







IWAKI PUMPS



()Country codes
IWAKI CO.,LTD. 6-6 Kanda-Sudacho 2-chome Chiyoda-ku Tokyo 101-8558 Japan
 TEL:(81)3 3254 2935 FAX:3 3252 8892

Australia	IWAKI Pumps Australia Pty. Ltd.	TEL: (61)2 9899 2411	FAX: 2 9899 2421	Italy	IWAKI Italia S.R.L.	TEL: (39)0444 371115	FAX: 0444 335350
Austria	IWAKI (Austria) GmbH	TEL: (43)2236 33469	FAX: 2236 33469	Korea	IWAKI Korea Co.,Ltd.	TEL: (82)2 2630 4800	FAX: 2 2630 4801
Belgium	IWAKI Belgium n.v.	TEL: (32)1367 0200	FAX: 1367 2030	Malaysia	IWAKIm Sdn. Bhd.	TEL: (60)3 7803 8807	FAX: 3 7803 4800
China	IWAKI Pumps (Shanghai) Co., Ltd.	TEL: (86)21 6272 7502	FAX: 21 6272 6929	Norway	IWAKI Norge AS	TEL: (47)66 81 1660	FAX: 66 81 1661
China	IWAKI Pumps (Guandong) Co., Ltd.	TEL: (86)750 3866228	FAX: 750 3866278	Singapore	IWAKI Singapore Pte. Ltd.	TEL: (65)6316 2028	FAX: 6316 3221
China	GFTZ IWAKI Engineering & Trading (Guangzhou)	TEL: (86)20 8435 0603	FAX: 20 8435 9181	Spain	IWAKI Iberica Pumps, S.A.	TEL: (34)943 630030	FAX: 943 628799
China	GFTZ IWAKI Engineering & Trading (Beijing)	TEL: (86)10 6442 7713	FAX: 10 6442 7712	Sweden	IWAKI Sverige AB	TEL: (46)8 511 72900	FAX: 8 511 72922
Denmark	IWAKI Nordic A/S	TEL: (45)48 24 2345	FAX: 48 24 2346	Switzerland	IWAKI (Schweiz) AG	TEL: (41)26 674 9300	FAX: 26 674 9302
Finland	IWAKI Suomi Oy	TEL: (358)9 2745810	FAX: 9 2742715	Taiwan	IWAKI Pumps Taiwan Co., Ltd.	TEL: (886)2 8227 6900	FAX: 2 8227 6818
France	IWAKI France S.A.	TEL: (33)1 69 63 33 70	FAX: 1 64 49 92 73	Taiwan	IWAKI Pumps Taiwan (Hsin-chu) Co., Ltd.	TEL: (886)3 573 5797	FAX: (886)3 573 5798
Germany	IWAKI EUROPE GmbH	TEL: (49)2154 9254 0	FAX: 2154 9254 48	Thailand	IWAKI (Thailand) Co., Ltd.	TEL: (66)2 322 2471	FAX: 2 322 2477
Holland	IWAKI EUROPE NL Branch	TEL: (31)547 293 160	FAX: 547 292 332	U.K.	IWAKI Pumps (UK) LTD.	TEL: (44)1743 231363	FAX: 1743 366507
Hong Kong	IWAKI Pumps Co., Ltd.	TEL: (852)2 607 1168	FAX: 2 607 1000	U.S.A.	IWAKI AMERICA Inc.	TEL: (1)508 429 1440	FAX: 508 429 1386
Indonesia	IWAKI Singapore (Indonesia Branch)	TEL: (62)21 690 6606	FAX: 21 690 6612	Vietnam	IWAKI pumps Vietnam Co., Ltd.	TEL: (84)613 933456	FAX: 613 933399