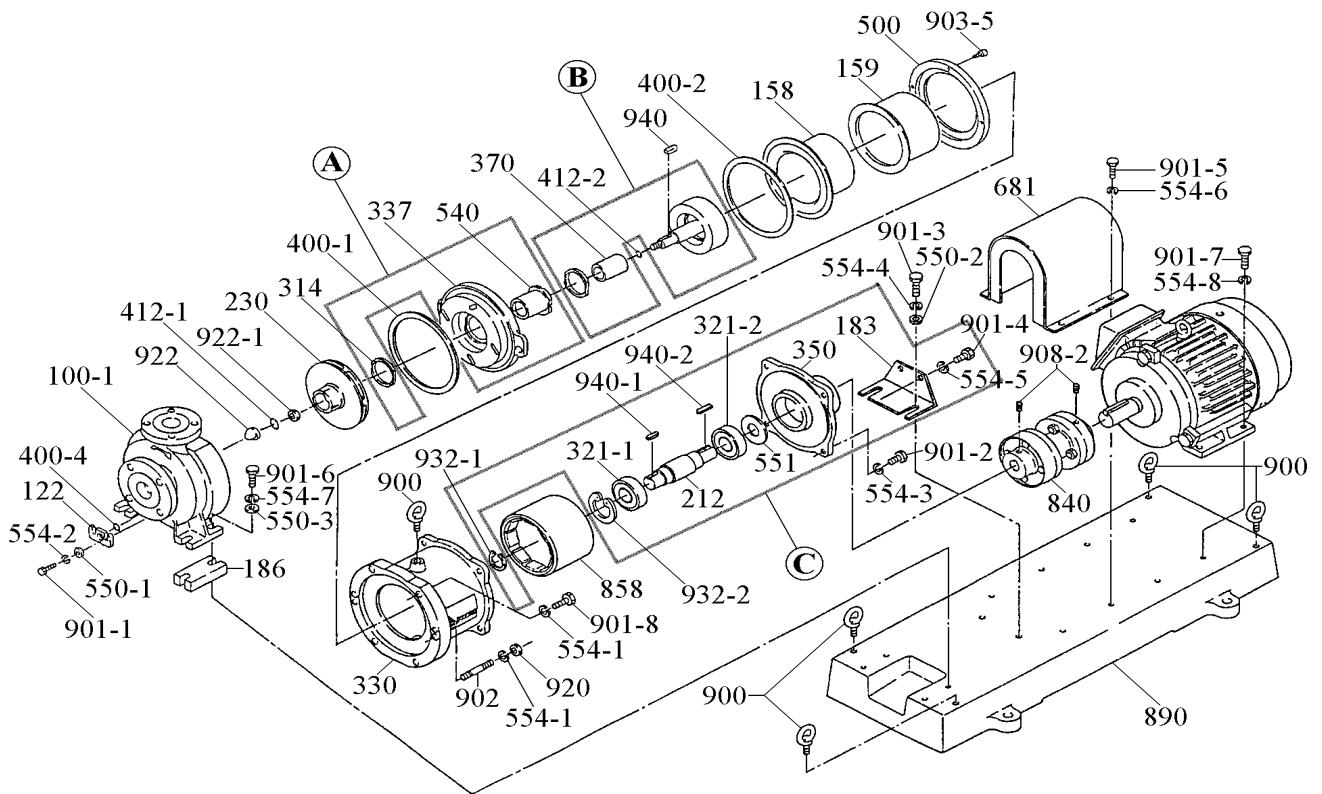


# MDE 50-200-65-160 PKZC

No. 59-088  
Mar. 01, 2006



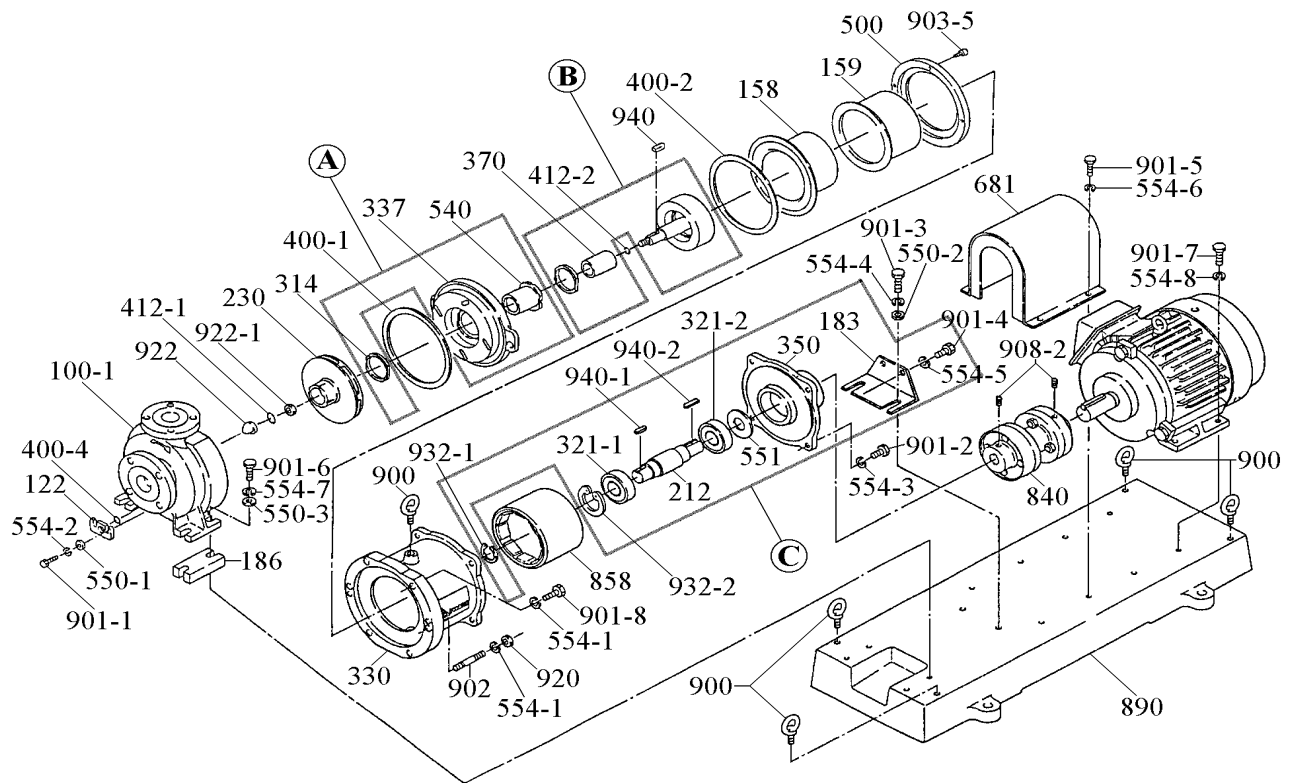
Item	Description	Type	Q'ty	Material	MDE 50-200-P (PFA)	
					Part No.	
* Following are exclusive parts for <b>MDE 50-200-P (PFA)</b> .						
100-1	<b>Front Casing Unit (ISO)</b>	<b>P</b>	1	<b>PFA+FCD 400</b>	<b>MDE0770</b>	
230	<b>Impeller</b>	Ø 210 mm	<b>210</b>	1	<b>PFA+SUS304 equiv.</b>	<b>MDE0755</b>
		Ø 200 mm	<b>200</b>	1	<b>PFA+SUS304 equiv.</b>	<b>MDE0756</b>
		Ø 190 mm	<b>190</b>	1	<b>PFA+SUS304 equiv.</b>	<b>MDE0757</b>
		Ø 180 mm	<b>180</b>	1	<b>PFA+SUS304 equiv.</b>	<b>MDE0758</b>
		Ø 170 mm	<b>170</b>	1	<b>PFA+SUS304 equiv.</b>	<b>MDE0759</b>
922	<b>Impeller Nut</b>		1	<b>PFA+SUS304 equiv.</b>	<b>MDE0760</b>	

Item	Description	Type	Q'ty	Material	MDE 65-160-P (PFA)	
					Part No.	
* Following are exclusive parts for <b>MDE 65-160-P (PFA)</b> .						
100-1	<b>Front Casing Unit (ISO)</b>	<b>P</b>	1	<b>PFA+FCD 400</b>	<b>MDE0767</b>	
230	<b>Impeller</b>	Ø 190 mm	<b>160</b>	1	<b>PFA+SUS304 equiv.</b>	<b>MDE0762</b>
		Ø 180 mm	<b>150</b>	1	<b>PFA+SUS304 equiv.</b>	<b>MDE0763</b>
		Ø 170 mm	<b>140</b>	1	<b>PFA+SUS304 equiv.</b>	<b>MDE0764</b>
		Ø 160 mm	<b>130</b>	1	<b>PFA+SUS304 equiv.</b>	<b>MDE0765</b>
		Ø 150x160 mm	<b>120</b>	1	<b>PFA+SUS304 equiv.</b>	<b>MDE0766</b>
922	<b>Impeller Nut</b>		1	<b>PFA+SUS304 equiv.</b>	<b>MDE0760</b>	

⚠ Subject to change without prior notice! ⚠ Actual pump may differ from the exploded view!

# MDE 50-200 • 65-160 EKZC

No. 59-085  
Mar. 01, 2006



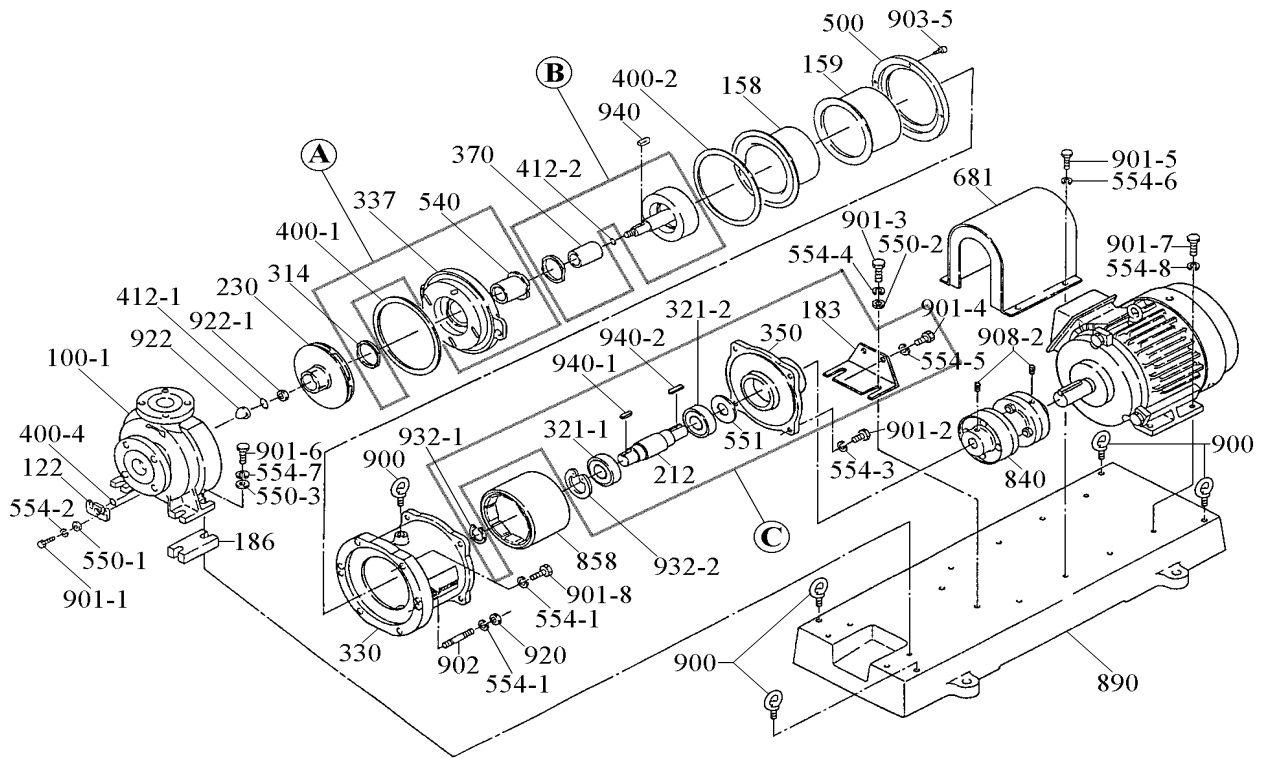
Item	Description	Type	Q'ty	Material	MDE 50-200 EKZC		MDE 65-160 EKZC		
					Part No.		Part No.		
100-1	<b>Front Casing Unit (ISO)</b>	E	1	ETFE+FCD 400	<b>MDE0455</b>		<b>MDE0456</b>		
122	<b>Drain Plate</b>		1	Steel	<b>MDE0148</b>		ï		
158	<b>Rear Casing</b>		1	PFA	<b>MDE0458</b>		ï		
159	<b>Rear Casing Cover</b>		1	FRP	<b>MDE0459</b>		ï		
183	<b>Support</b>	18,5 kW (2-Pole)	1	Steel	<b>MDE0460</b>		<b>MDE0461</b>		
		22 kW (2-Pole)	1	Steel	<b>MDE0462</b>		<b>MDE0463</b>		
		30•37 kW (2-Pole)	1	Steel	<b>MDE0464</b>		<b>MDE0465</b>		
186	<b>Front Spacer</b>	22~37 kW (2-P)	2	Steel	<b>MDE0557</b>				
212	<b>Drive Shaft</b>		1	Steel	<b>MDE0468</b>		<b>MDE0469</b>		
230	<b>Impeller</b> "50-200-E"	Ø 210 mm	210	1	CFRETFE+S4 equiv.	<b>MDE0714</b>			
		Ø 200 mm	200	1	CFRETFE+S4 equiv.	<b>MDE0715</b>			
		Ø 190 mm	190	1	CFRETFE+S4 equiv.	<b>MDE0716</b>			
		Ø 180 mm	180	1	CFRETFE+S4 equiv.	<b>MDE0717</b>			
		Ø 170 mm	170	1	CFRETFE+S4 equiv.	<b>MDE0718</b>			
	<b>Impeller</b> "65-160-E"	Ø 190 mm	160	1	CFRETFE+S4 equiv.			<b>MDE0719</b>	
		Ø 180 mm	150	1	CFRETFE+S4 equiv.			<b>MDE0720</b>	
		Ø 170 mm	140	1	CFRETFE+S4 equiv.			<b>MDE0721</b>	
Ø 160 mm		130	1	CFRETFE+S4 equiv.			<b>MDE0722</b>		
	Ø 150x160 mm	120	1	CFRETFE+S4 equiv.			<b>MDE0723</b>		
314	<b>Rear Thrust Ring</b>		1	SiC	<b>MDE0489</b>		ï		
321-1	<b>Ball Bearing</b>		1		<b>MDE0474</b>		<b>MDE0427</b>		
321-2	<b>Ball Bearing</b>		1		<b>MDE0427</b>		<b>MDE0427</b>		
*330	<b>Bracket</b>	18,5~37 kW (2-Pole)	1	FCD 400 (+Steel)	<b>MDE0475</b>		ï		
337	<b>Split Plate</b>		1	PFA+FCD400	<b>MDE0479</b>		ï		
A	<b>Split Plate Ass'y</b>	(314+337+540)	1	SiC+PFA+SiC	<b>MDE0709</b>		ï		
350	<b>Bearing Housing</b>		1	FC 200	<b>MDE0481</b>		<b>MDE0482</b>		
C	<b>Bearing</b>	18,5 kW (2-Pole)	1		<b>MDE0564</b>		<b>MDE0568</b>		
	<b>Housing</b>	22 kW (2-Pole)	1		<b>MDE0565</b>		<b>MDE0569</b>		
	<b>Assembly</b>	30•37 kW (2-Pole)	1		<b>MDE0566</b>		<b>MDE0570</b>		
370	<b>Sleeve</b>		1	SiC	<b>MDE0483</b>		ï		

\* Bracket is furnished with an "Eye Bolt" (900).

⚠ Subject to change without prior notice! ⚠ Actual pump may differ from the exploded view!

# MDE 50-200 • 65-160 EKZC

No. 59-086  
Mar. 01, 2006

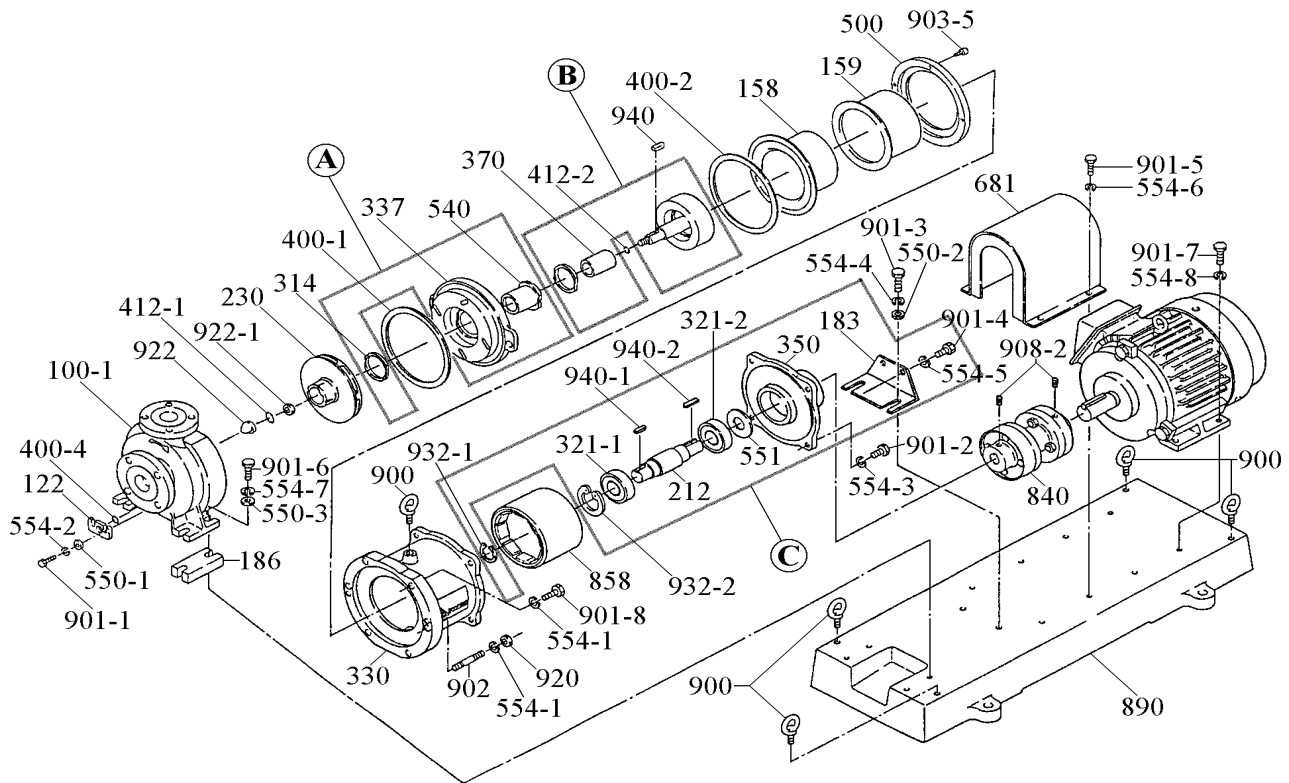


Item	Description	Q'ty	Material	MDE 50-200 EKZC	MDE 65-160 EKZC	
				Part No.	Part No.	
400-1	<b>Gasket (Front)</b>	1	PTFE	<b>MDE0484</b>	İ	
400-2	<b>Gasket (Rear)</b>	1	PTFE	<b>MDE0485</b>	İ	
400-4	<b>Drain Gasket</b>	1	PTFE	<b>MDE0149</b>	İ	
412-1	<b>O-Ring (AS568-128)</b>	1	Kalrez®	<b>MDE0704</b>	İ	
412-2	<b>O-Ring (AS568-123)</b>	1	Kalrez®	<b>MDE0703</b>	İ	
500	<b>Backup Ring</b>	1	FCD 450	<b>MDE0748</b>	İ	
540	<b>Bearing</b>	1	SiC	<b>MDE0488</b>	İ	
550-1	<b>Plate Washer (M8)</b>	2	SUS304 equivalent	<b>MDE0151</b>	İ	
550-2	" " (M12)	2	SUS304 equivalent	<b>MDE0120</b>	İ	
550-3	" " (M12)	4	SUS304 equivalent	<b>MDE0120</b>	İ	
551	<b>Wave Washer</b>	1	Spring Steel	<b>MDE0418</b>	İ	
554-1	<b>Spring Washer (M16)</b>	8	SUS304 equivalent	<b>MDE0260</b>	İ	
554-2	" " (M8)	2	SUS304 equivalent	<b>MDE0119</b>	İ	
554-3	" " (M12)	4	SUS304 equivalent	<b>MDE0111</b>	İ	
554-4	" " (M12)	2	SUS304 equivalent	<b>MDE0111</b>	İ	
554-5	" " (M10)	2	SUS304 equivalent	<b>MDE0118</b>	İ	
554-6	" " (M8)	4	SUS304 equivalent	<b>MDE0119</b>	İ	
554-7	" " (M12)	4	SUS304 equivalent	<b>MDE0111</b>	İ	
554-8	" (M12) <b>18,5•22 kW (2-Pole)</b>	4	SUS304 equivalent	<b>MDE0111</b>	İ	
	" (M16) <b>30•37 kW (2-Pole)</b>	4	SUS304 equivalent	<b>MDE0260</b>	İ	
681	<b>Coupling Cover</b>	<b>18,5 kW (2-Pole)</b>	1	Steel	<b>MDE0140</b>	<b>MDE0491</b>
		<b>22 kW (2-Pole)</b>	1	Steel	<b>MDE0493</b>	<b>MDE0494</b>
		<b>30 kW (2-Pole)</b>	1	Steel	<b>MDE0495</b>	<b>MDE0494</b>
		<b>37 kW (2-Pole)</b>	1	Steel	<b>MDE0496</b>	<b>MDE0497</b>
840	<b>Coupling</b>	<b>18,5 kW (2-Pole)</b>	1		<b>MDE0138</b>	<b>MDE0500</b>
		<b>22 kW (2-Pole)</b>	1		<b>MDE0502</b>	<b>MDE0503</b>
		<b>30•37 kW (2-Pole)</b>	1		<b>MDE0504</b>	<b>MDE0505</b>
858	<b>Drive Magnet Unit</b>	<b>18,5 kW (2-Pole)</b>	1	Rare Earth+Steel	<b>MDE0546</b>	İ
		<b>22 kW (2-Pole)</b>	1	Rare Earth+Steel	<b>MDE0547</b>	İ
		<b>30 kW (2-Pole)</b>	1	Rare Earth+Steel	<b>MDE0548</b>	İ
		<b>37 kW (2-Pole)</b>	1	Rare Earth+Steel	<b>MDE0549</b>	İ

⚠ Subject to change without prior notice! ⚠ Actual pump may differ from the exploded view!

# MDE 50-200 • 65-160 EKZC

No. 59-087  
Mar. 01, 2006



Item	Description	Q'ty	Material	MDE 50-200 EKZC		MDE 65-160 EKZC	
				Part No.		Part No.	
B	Magnet Capsule	18,5 kW (2-Pole)	1	R.Earth+PFA+SiC	MDE0514		İ
	Unit Assembly (Mag.Capsule+ 370+Thrust)	22 kW (2-Pole)	1	R.Earth+PFA+SiC	MDE0515		İ
		30 kW (2-Pole)	1	R.Earth+PFA+SiC	MDE0516		İ
		37 kW (2-Pole)	1	R.Earth+PFA+SiC	MDE0517		İ
890	Base	18,5 kW (2-Pole)	1	FC 200	MDE0204		MDE0525
		22 kW (2-Pole)	1	FC 200	MDE0526		MDE0527
		30•37 kW (2-Pole)	1	FC 200	MDE0574		MDE0560
900	Eye Bolt (M16)		5	Steel	MDE0528		İ
901-1	Hex. Head Bolt (M8x20)		2	SUS304 equivalent	MDE0150		İ
901-2	" " " (M12x35)		4	SUS304 equivalent	MDE0110		İ
901-3	" " " (M12x35)		2	SUS304 equivalent	MDE0110		İ
901-4	" " " (M10x25)		2	SUS304 equivalent	MDE0531		İ
901-5	" " " (M8x15)		4	SUS304 equivalent	MDE0116		İ
901-6	" " (M12x35)	18,5kW / All	4	SUS304 equivalent	MDE0110		İ
	" " (M12x60)	22~37 kW	4	SUS304 equivalent	MDE0562		
901-7	" (M12x30)	All / 18,5•22kW	4	SUS304 equivalent	MDE9991		İ
	" " (M16x30)	30•37 kW	4	SUS304 equivalent			MDE9990
901-8	" " " (M16x70)		6	SUS304 equivalent	MDE0533		İ
902	Stud Bolt (M16x95)		2	SUS304 equivalent	MDE0534		İ
903-5	Hex. Socket Head Bolt (M8x20)		4	SUS304 equivalent	MDE0535		İ
908-2	Hex. Socket Setscrew (M8x10)		4	Steel	MDE0139		İ
920	Hexagon Nut (M16)		2	SUS304 equivalent	MDE0537		İ
922	Impeller Nut		1	CFRETFE+S4 eq.	MDE0538		İ
922-1	Impeller Lock Nut		1	SUS304 equivalent	MDE0712		İ
932-1	Retaining Ring		1	Steel Wire Rod	MDE0539		İ
932-2			1	Steel Wire Rod	MDE0540		MDE0428
940	Key		1	Steel	MDE0541		İ
940-1			1	Steel	MDE0542		İ
940-2			1	Steel	MDE0421		MDE0571

⚠ Subject to change without prior notice! ⚠ Actual pump may differ from the exploded view!