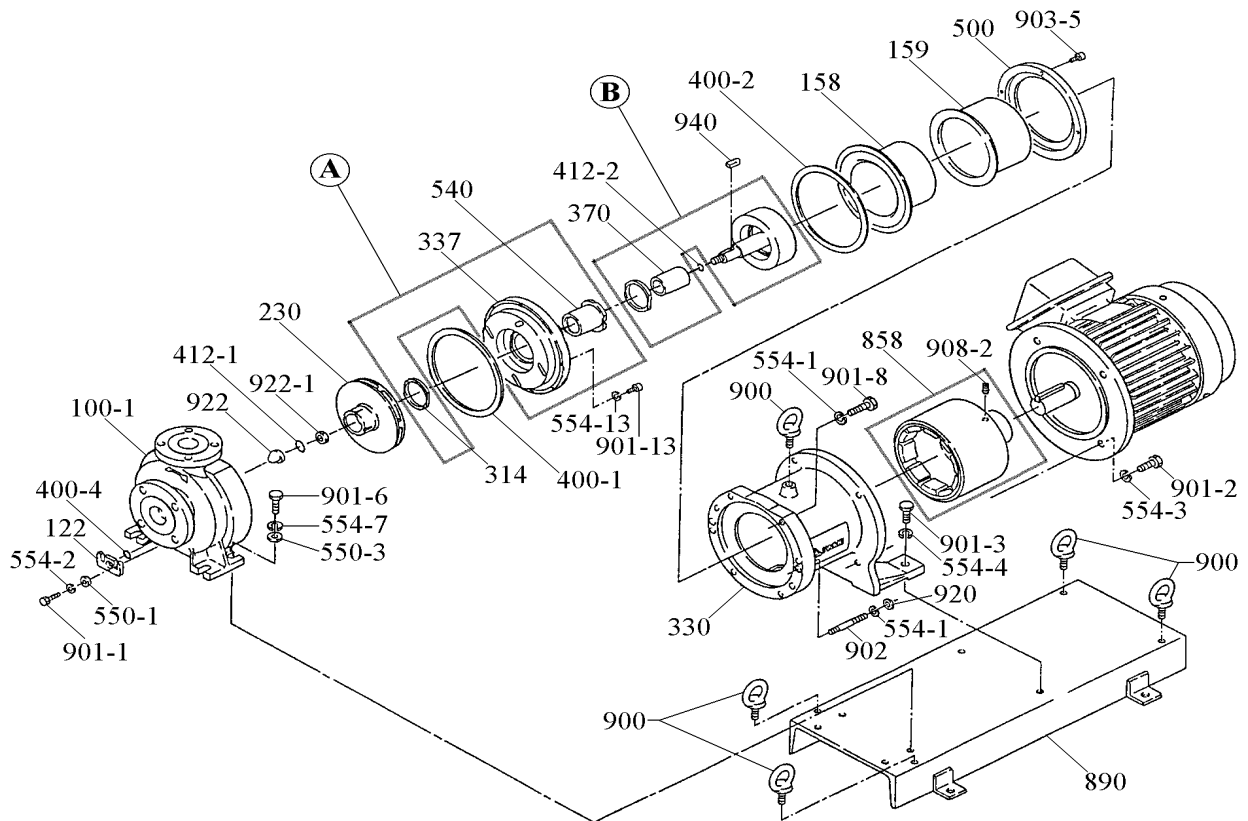


Item	Description	Q'ty	Material	MDE 125-250		
				Part No.		
100-1	Front Casing Unit (ISO) with Drain	1	ETFE+FCD400	MDE0743		
	Front Casing Unit (ISO) without Drain	1	ETFE+FCD400	MDE0744		
122	Drain Plate	1	Steel	MDE0741		
158	Rear Casing	1	PFA	MDE0458		
159	Rear Casing Cover	1	FRP	MDE0459		
230	Impeller	Ø 290 mm	250	1	CFRETFE+S4 equiv.	MDE0727
		Ø 280 mm	240	1	CFRETFE+S4 equiv.	MDE0728
		Ø 270 mm	230	1	CFRETFE+S4 equiv.	MDE0729
		Ø 260 mm	220	1	CFRETFE+S4 equiv.	MDE0730
		Ø 250 mm	210	1	CFRETFE+S4 equiv.	MDE0731
		Ø 240 mm	200	1	CFRETFE+S4 equiv.	MDE0732
		Ø 230 mm	190	1	CFRETFE+S4 equiv.	MDE0733
314	Rear Thrust Ring	1	SiC	MDE0489		
330	Bracket with Eye Bolt (4-Pole) 11~22kW	1	FCD 400 (+Steel)	MDE0476		
337	Split Plate	1	PFA+FCD400	MDE0734		
A	Split Plate Assembly (314+337+540)	1	SiC+PFA+SiC	MDE0710		
370	Sleeve	1	SiC	MDE0483		
400-1	Gasket (Front)	1	PTFE	MDE0711		
400-2	Gasket (Rear)	1	PTFE	MDE0485		
400-4	Drain Gasket	1	PTFE	MDE0742		
412-1	O-Ring (AS568-128)	1	Kalrez®	MDE0704		
412-2	O-Ring (AS568-123)	1	Kalrez®	MDE0703		
500	Backup Ring	1	FCD 450	MDE0748		
540	Bearing	1	SiC	MDE0488		
550-1	Plate Washer (M8)	2	SUS304 equivalent	MDE0151		
550-3	" " (M12)	4	SUS304 equivalent	MDE0120		

⚠ Subject to change without prior notice! ⚠ Actual pump may differ from the exploded view!



Item	Description	Q'ty	Material	MDE 125-250	
				Part No.	
554-1	Spring Washer (M16)	8	SUS304 equivalent	MDE0260	
554-2	" " (M8)	2	SUS304 equivalent	MDE0119	
554-3	" " (M16)	4	SUS304 equivalent	MDE0260	
554-4	" " (M16)	2	SUS304 equivalent	MDE0260	
554-7	" " (M12)	4	SUS304 equivalent	MDE0111	
554-13	" " (M16)	8	SUS304 equivalent	MDE0260	
858	Drive Magnet Unit	11 kW (4-Pole)	Rare Earth+Steel	MDE0736	
		15 kW (4-Pole)	Rare Earth+Steel	MDE0737	
		18,5•22 kW (4-Pole)	Rare Earth+Steel	MDE0738	
B	Magnet Capsule Unit Assembly (M.C.+370+Thrust)	11 kW (4-Pole)	R.Earth+PFA+SiC	MDE0515	
		15 kW (4-Pole)	R.Earth+PFA+SiC	MDE0516	
		18,5•22 kW (4-Pole)	R.Earth+PFA+SiC	MDE0517	
890	Base	1	Steel	MDE0740	
900	Eye Bolt (M16)	5	Steel	MDE0528	
901-1	Hex. Head Bolt (M8x20)	2	SUS304 equivalent	MDE0150	
901-2	" " " (M16x40)	4	SUS304 equivalent	MDE0529	
901-3	" " " (M16x35)	2	SUS304 equivalent	MDE0530	
901-6	" " " (M12x35)	4	SUS304 equivalent	MDE0110	
901-8	" " " (M16x55)	6	SUS304 equivalent	MDE0724	
901-13	" " " (M16x25)	8	SUS304 equivalent	MDE0726	
902	Stud Bolt (M16x85)	2	SUS304 equivalent	MDE0735	
903-5	Hex. Socket Head Bolt (M8x20)	4	SUS304 equivalent	MDE0535	
908-2	Hex. Socket Setscrew (M8x10)	2	Steel	MDE0139	
920	Hexagon Nut (M16)	2	SUS304 equivalent	MDE0537	
922	Impeller Nut	1	CFRETFE+S4 equiv.	MDE0538	
922-1	Impeller Lock Nut	1	SUS304 equivalent	MDE0712	
940	Key	1	Steel	MDE0541	

⚠ Subject to change without prior notice! ⚠ Actual pump may differ from the exploded view!