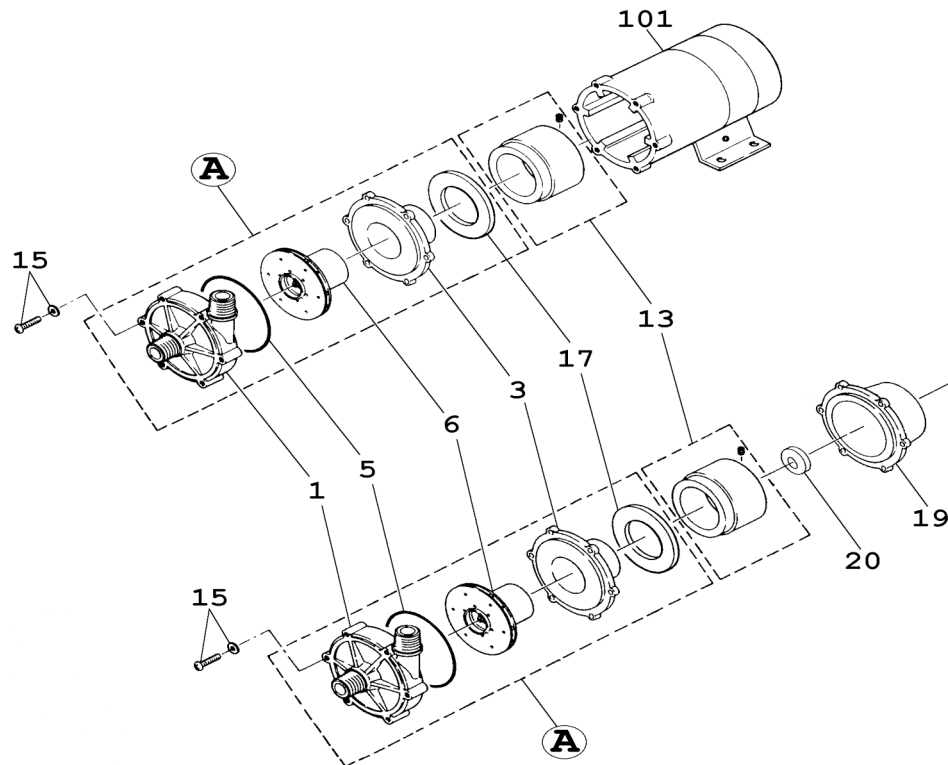


MD-55F • 100F

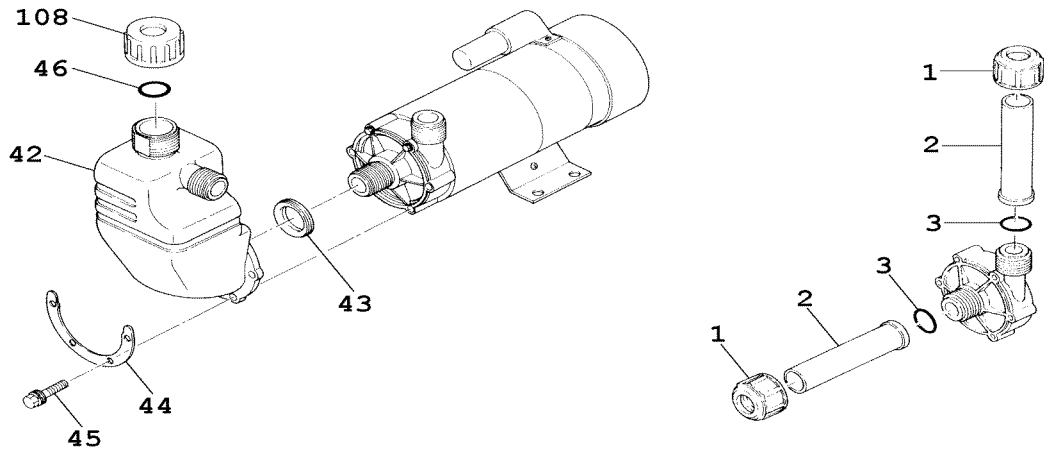
No. 52-015
Mar. 01, 2006



Item	Description			Q'ty	Material	MD-55F		MD-100F		
						Part No.		Part No.		
1	Front Casing (+Bearing) Unit			1	CFRETFE+SiC	MD0213		MD0229		
3	Rear Casing (+Bearing) Unit			1	CFRETFE+SiC	MD0219		MD0235		
5	O-Ring, AS568-242•-244			1	FKM-A	MD0214		MD0230		
				1	EPDM	MD0409		MD0514		
				1	Aflas®	MD9965		MD9976		
6	Impeller Unit	"X"	Ø 82 mm	1	CFRETFE+SiC +Ferrite	MD0216				
		"Y"	Ø 72 mm	1		MD0217				
	Impeller Unit	"X"	Ø 96 mm	1					MD0232	
		"Y"	Ø 82 mm	1					MD0233	
13	Drive Magnet Unit (Ø11,5mm)			1	Aluminium+Ferrite	MD0112				
*13	" for IEC Motor (Ø11,0mm)			1		MD0634				
13	Drive Magnet Unit (Ø14mm)			1	Aluminium+Ferrite			MD0150		
*13	" for IEC Motor (Ø14mm)			1				MD0707		
15	Bolt+Washer [M5x50•M6x50]			6	SUS304 equivalent	MD0601		MD0378		
17	Retainer Ring			1	SUS304	MD0225		MD0155		
101	Motor [AC220/240V] 1-Phase			1		MD0324		MD0332		
	Motor [AC400/440V] 3-Phase			1				MD0334		
*19	Bracket for IEC Motor			1	FC200	MD0635		MD0336		
*20	Spacer for IEC Motor			1	Aluminium	MD0636		MD0411		
A	Wet End Set "X"			1	with FKM-A	MD0210		MD0242		
	Wet End Set "Y"			1	with FKM-A	MD0227		MD0243		

Note: Items marked with * are required to fit an IEC Motor.

⚠ Subject to change without prior notice! ⚠ Actual pump may differ from the exploded view!



Self-Priming Chamber							
Description		Q'ty	Remarks	Code No.		Models to apply	
SC-4V (Complete Set)		1	with FKM	11113350		MD-30RM•40RM	
SC-4E (Complete Set)		1	with EPDM	11113351			
SC-7V (Complete Set)		1	with FKM	11114327		MD-70RM	
SC-7E (Complete Set)		1	with EPDM	11114328			
Item	Description	Q'ty	Material	SC-4V•4E		SC-7V•7E	
				Part No.		Part No.	
42	Chamber	1	Polypropylene	MD0379		MD0387	
43	Gasket	1	FKM	MD0384		MD0392	
		1	EPDM	MD0385		MD0393	
44	Ring	1	SUS304	MD0383		MD0391	
45	Bolt+Washer	M5x45	SUS304 equivalent	MD0477			
		M5x55	SUS304 equivalent			MD0632	
46	O-Ring, P-26	1	FKM	MD0381		ï	
		1	EPDM	MD0382		ï	
108	Cap	1	Polypropylene	MD0380		ï	

Union Joint										
Description		Q'ty	Remarks	Code No.		Models to apply				
Complete Set * 2 sets are required for one pump.	1	Ø 13 mm		11119107	with FKM	MD-15RM•20RZM•30RZM				
	1			11119108	with EPDM					
	1	Ø 16 mm		11119109	with FKM	MD-20RM•30RM•40RM•40RZ(-5)M•MD-70RZM				
	1			11119110	with EPDM					
	1	Ø 20 mm		11119112	with FKM	MD-20RXM•30RXM•40RXM•MD-55R(-5)M•70RM•100R(-5)M				
	1			11119113	with EPDM					
Item	Description	Q'ty	Material	Ø 13 mm		Ø 16 mm		Ø 20 mm		
				Part No.		Part No.		Part No.		
1	Nut	1	PP	MD0640		MD0641		MD0642		
2	Socket	1	PVC	MD0494		MD0497		MD0500		
3	O-Ring	AS568-016	1	FKM	MD0374					
			1	EPDM	MD0515					
		AS568-017	1	FKM			MD0375			
			1	EPDM			MD0517			
		AS568-020	1	FKM					MD0376	
			1	EPDM					MD0518	

⚠ Subject to change without prior notice! ⚠ Actual pump may differ from the exploded view!