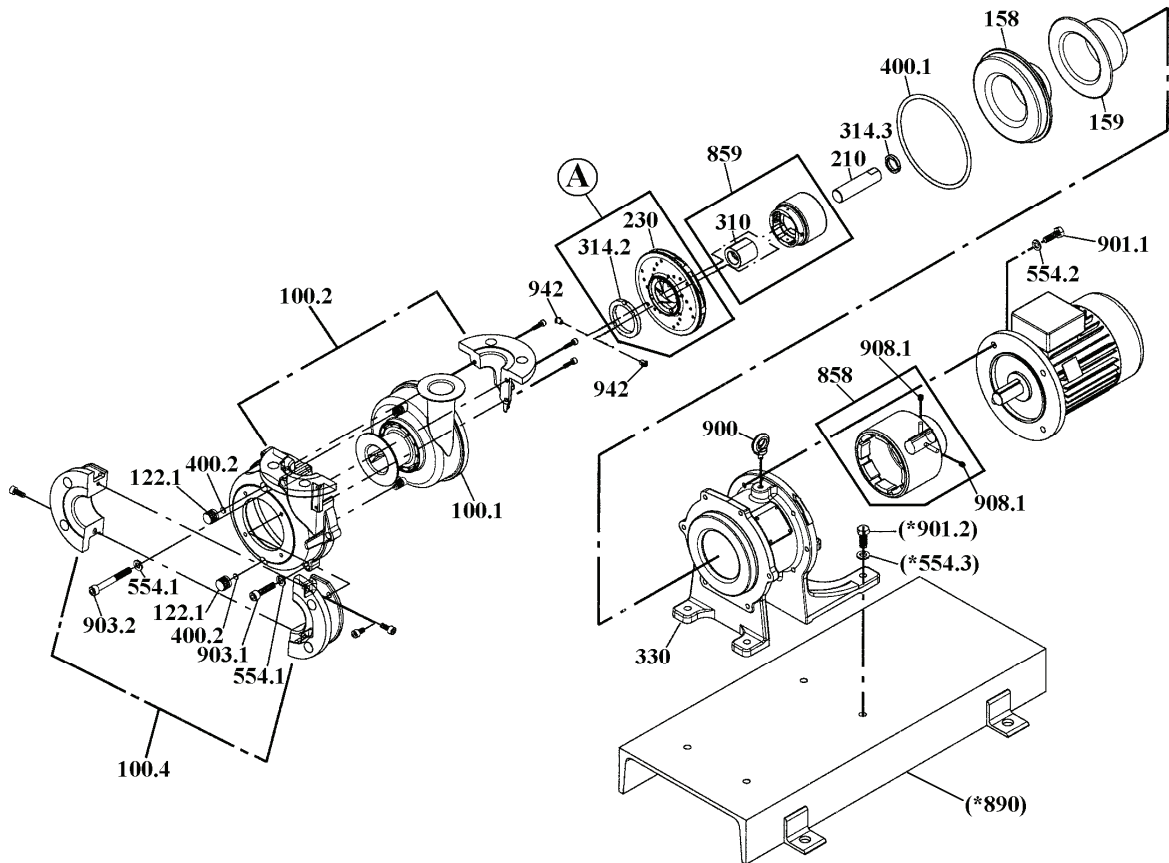


Item	Description	Q'ty	Type	Material	Part No.	Code No.	
100.1	Front Casing+Liner Ring Unit	1	CF•FF	CFRETFE+Ceramic	MXM0076	1210040910	
		1	KK	CFRETFE+SiC	MXM0077	1210040920	
100.2	Cover 'A/B' Unit (ISO)	1		FCD450	MXM0098	1220301220	
100.4	Cover 'C' Unit (ISO)	1		FCD450	MXM0099	1220301420	
122.1	Air Vent/Drain Cap (M14x2)	2		ETFE	MXM0114	1240644600	
158	Rear Casing	1	H	CFRETFE	MXM0080	1220299900	
159	Rear Casing Cover	1	H	FRP	MXM0081	1231142400	
210	Spindle	1	CF•FF	Alumina Ceramic	MXM0001	1240830000	
		1	KK	SiC	MXM0002	1240830100	
230	Impeller <1> [1XF]	Ø 150 mm	1	1501	CFRETFE	MXM0048	1231149810
		Ø 140 mm	1	1401	CFRETFE	MXM0049	1231149820
		Ø 120 mm	1	1201	CFRETFE	MXM0050	1231149840
	Impeller <3> [3XF]	Ø 154 mm	1	1503	CFRETFE	MXM0062	1231150400
		Ø 140 mm	1	1403	CFRETFE	MXM0052	1231150010
		Ø 130 mm	1	1303	CFRETFE	MXM0053	1231150020
	Impeller <4> [4XF]	Ø 110 mm	1	1103	CFRETFE	MXM0159	1231150040
		Ø 154 mm	1	1504	CFRETFE	MXM0055	1231150110
		Ø 140 mm	1	1404	CFRETFE	MXM0056	1231150120
		Ø 125mm	1	1254	CFRETFE	MXM0058	1231150140
	Ø 110mm	1	1104	CFRETFE	MXM0060	1231150160	
310	Bearing	1	CF	High Density Carbon	MX0487	1240765600	
		1	FF	Alumina Ceramic	MXM0118	1240829700	
		1	KK	SiC	MX0488	1240765700	
314.2	Mouth Ring	1	CF•FF	PTFE	MX0303	1240736000	
		1	KK	SiC	MXM0064	1240684600	
314.3	Rear Thrust	1		CFRPFA	MX0457	1240765500	
*330	Frame	1,5•2,2kW	1	542•543	FCD450	MXM0069	1220300720
		4,0kW	1	545	FCD450	MXM0094	1220300820

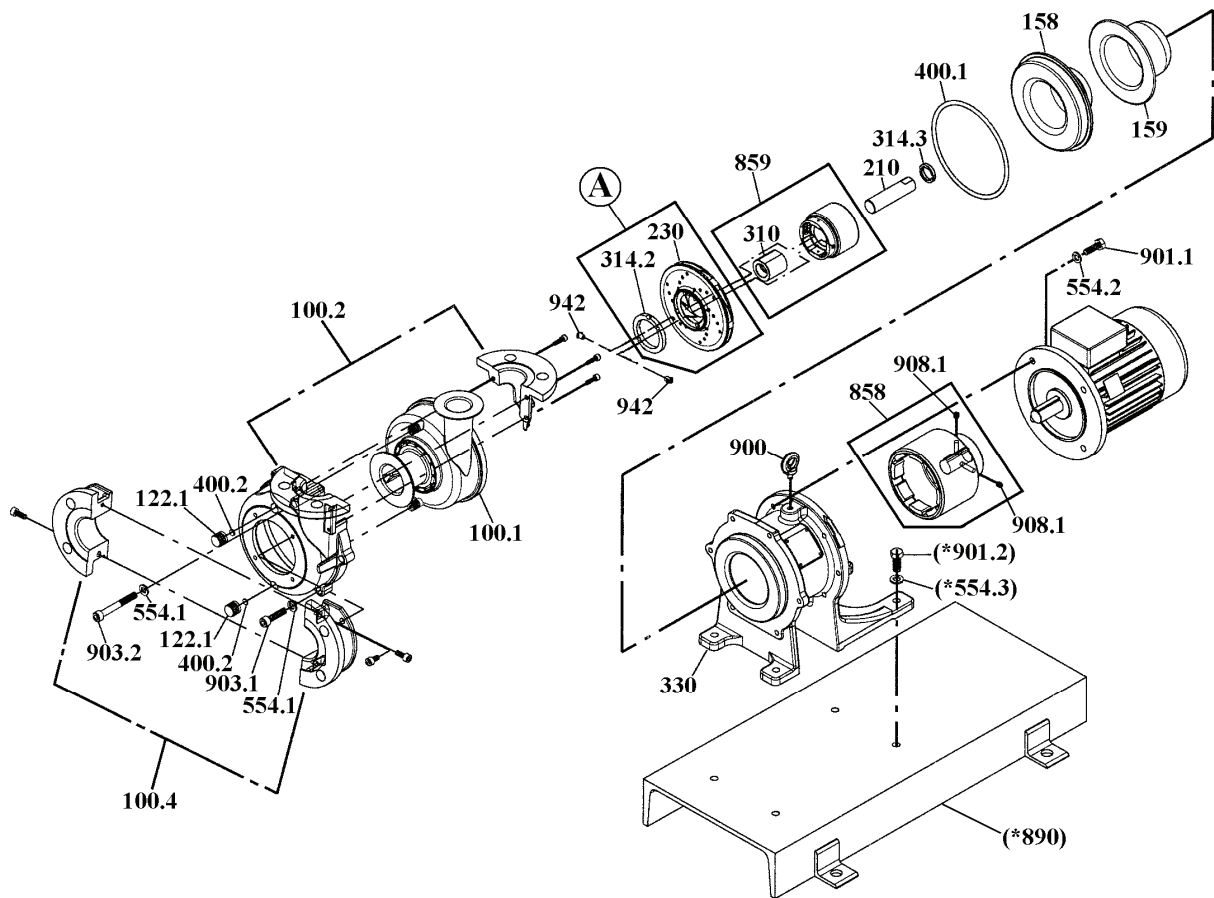
\*Note: "Frame" is furnished with 1 x Eyebolt (900).

△Subject to change without prior notice! △Actual pump may differ from the exploded view!



Item	Description	Q'ty	Type	Material	Part No.	Code No.	
400.1	O-Ring <G-165>	1	V	FKM-A	MX0116	0325300068	
		1	E	EPDM	MX0207	0325300080	
		1	A	Aflas®	MX0772	0325300108	
		1	P	DAI-EL Perfluoro®	MXM0014	0325300280	
400.2	Gasket (t: 2mm, Ø 12mm)	2	V	FKM-A	MXM0009	1240010300	
		2	E	EPDM	MXM0010	1240014200	
		2	A	Aflas®	MXM0011	1240102200	
		2	P	DAI-EL Perfluoro®	MXM0015	1240465900	
858	Drive Magnet Unit (with 2 x 908.1)	1,5kW [XJ2H]	1	542	MXM0067	1220300000	
		2,2kW [XJ3H]	1	543	MXM0088	1220300100	
		4,0kW [XJ5]	1	545	MXM0092	1220300200	
859	Magnet Capsule+ Bearing Assembly	1,5•2,2kW	1	542•543-CF	CFRETFE+Carbon	MX0453	1231022710
			1	542•543-FF	CFRETFE+Ceramic	MXM0119	1231022740
			1	542•543-KK	CFRETFE+SiC	MX0455	1231022730
		4,0kW	1	545-CF	CFRETFE+Carbon	MX0462	1231022810
			1	545-FF	CFRETFE+Ceramic	MXM0120	1231022840
			1	545-KK	CFRETFE+SiC	MX0464	1231022830
942	Lock Pin	2		CFRETFE	MX0489	1240765900	
554.1	Spring Washer (Cover 'A/B') M10	6		SUS304 equivalent	MDM0030	0154100022	
554.2	Spring Washer (Motor) M10	4	542•543	SUS304 equivalent	MDM0030	0154100022	
	Spring Washer (Motor) M12	4	545	SUS304 equivalent	MDM0029	0154100024	
900	Eye Bolt (Frame) M10	1		Steel		0150800002	
901.1	Hex. Bolt (Motor) M10x30	4	542•543	SUS304 equivalent	MDM0040	0150100182	
	Hex. Bolt (Motor) M12x35	4	545	SUS304 equivalent	MDM0136	0150100207	
903.1	Cap Bolt (Cover 'A/B') M10x40	5		SUS304 equivalent	MXM0071	0150300045	
903.2	Cap Bolt (Cover 'A/B') M10x80	1		SUS304 equivalent	MXM0070	0150300567	
908.1	Setscrew (Drive Mag.Unit) M8x10	2		Steel	MDM0044	0152100046	

△ Subject to change without prior notice! △ Actual pump may differ from the exploded view!



Item	Description	Q'ty	Type	Material	Part No.	Code No.	
A	<b>Impeller &lt;1&gt; + Mouth Ring Ass'y</b> [1XF]	Ø 150 mm	1	<b>1501-CF•FF</b>	CFRETFE+PTFE	<b>MXM0018</b>	1231149010
		Ø 140 mm	1	<b>1401-CF•FF</b>	CFRETFE+PTFE	<b>MXM0019</b>	1231149020
		Ø 120 mm	1	<b>1201-CF•FF</b>	CFRETFE+PTFE	<b>MXM0020</b>	1231149040
		Ø 150 mm	1	<b>1501-KK</b>	CFRETFE+SiC	<b>MXM0033</b>	1231149410
		Ø 140 mm	1	<b>1401-KK</b>	CFRETFE+SiC	<b>MXM0034</b>	1231149420
		Ø 120 mm	1	<b>1201-KK</b>	CFRETFE+SiC	<b>MXM0035</b>	1231149440
	<b>Impeller &lt;3&gt; + Mouth Ring Ass'y</b> [3XF]	Ø 154mm	1	<b>1503-CF•FF</b>	CFRETFE+PTFE	<b>MXM0023</b>	1231149210
		Ø 140 mm	1	<b>1403-CF•FF</b>	CFRETFE+PTFE	<b>MXM0024</b>	1231149220
		Ø 130 mm	1	<b>1303-CF•FF</b>	CFRETFE+PTFE	<b>MXM0025</b>	1231149230
		Ø 110 mm	1	<b>1103-CF•FF</b>	CFRETFE+PTFE	<b>MXM0157</b>	1231149250
		Ø 154 mm	1	<b>1503-KK</b>	CFRETFE+SiC	<b>MXM0038</b>	1231149610
		Ø 140 mm	1	<b>1403-KK</b>	CFRETFE+SiC	<b>MXM0039</b>	1231149620
	<b>Impeller &lt;4&gt; + Mouth Ring Ass'y</b> [4XF]	Ø 130 mm	1	<b>1303-KK</b>	CFRETFE+SiC	<b>MXM0040</b>	1231149630
		Ø 110 mm	1	<b>1103-KK</b>	CFRETFE+SiC	<b>MXM0158</b>	1231149650
		Ø 154 mm	1	<b>1504-CF•FF</b>	CFRETFE+PTFE	<b>MXM0027</b>	1231149310
		Ø 140 mm	1	<b>1404-CF•FF</b>	CFRETFE+PTFE	<b>MXM0028</b>	1231149320
		Ø 125mm	1	<b>1254-CF•FF</b>	CFRETFE+PTFE	<b>MXM0030</b>	1231149340
		Ø 110mm	1	<b>1104-CF•FF</b>	CFRETFE+PTFE	<b>MXM0032</b>	1231149360
		Ø 154 mm	1	<b>1504-KK</b>	CFRETFE+SiC	<b>MXM0042</b>	1231149710
		Ø 140 mm	1	<b>1404-KK</b>	CFRETFE+SiC	<b>MXM0043</b>	1231149720
		Ø 125mm	1	<b>1254-KK</b>	CFRETFE+SiC	<b>MXM0045</b>	1231149740
	Ø 110mm	1	<b>1104-KK</b>	CFRETFE+SiC	<b>MXM0047</b>	1231149760	
*890	<b>Base</b>	1	"B"	Steel	<b>MXM0085</b>	1231158600	
*554.3	<b>Spring Washer (Base) M12</b>	4	"B"	SUS304 equivalent	<b>MDM0029</b>	0154100024	
*901.2	<b>Hex. Bolt (Base) M12x30</b>	4	"B"	SUS304 equivalent	<b>MDM0042</b>	0150100206	

Note: Items asterisked (\*) are optional parts.

△ Subject to change without prior notice! △ Actual pump may differ from the exploded view!