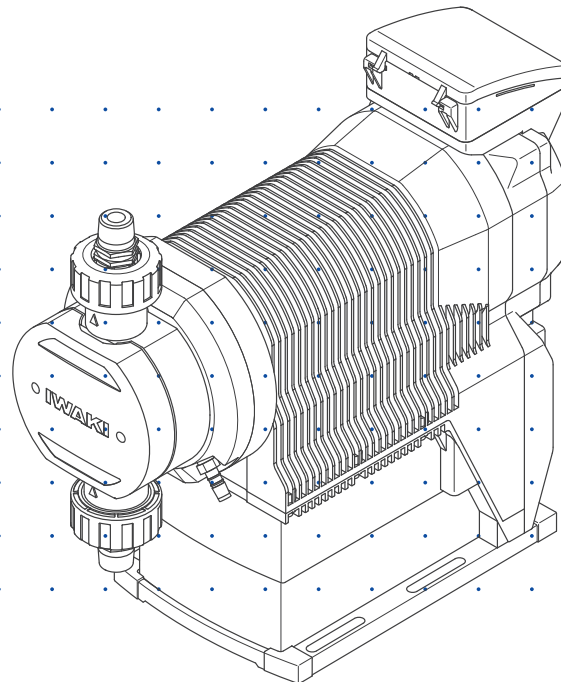



# *Hi-Techno Pump*

## IX-D series (Europe)



## Instruction manual

Thank you for choosing our product.

 Please read through this instruction manual before use.

This instruction manual describes important precautions and instructions for the product. Always keep it on hand for quick reference.

## Order confirmation

Open the package and check that the product conforms to your order. If any problem or inconsistency is found, immediately contact your distributor.

### a. Check if the delivery is correct.

Check the nameplate to see if the information such as model codes, discharge capacity and discharge pressure are as ordered.

<b>Hi-Techno Pump</b>			
Model			
Capacity	m <sup>3</sup> /min L/H	Max. Pressure	MPa
Frequency	Hz	Voltage	VAC
Max. liquid temp.	°C	Power Consumption	W
Current	A	Year :	IP65
MFG.No.			
<b>IWAKI CO.,LTD.</b> MADE IN JAPAN			
6-6.Kanda-Sudacho 2-chome Chiyoda-ku Tokyo Japan			

- Read instruction m
- Wear protective g
- Be careful about r
- Be careful about e
- Make sure the gro
- Do not get power
- Equip power sou
- Ensure that bleedin

### b. Check if the delivery is damaged or deformed.

Check for transit damage and loose bolts.

# Contents

<b>Order confirmation</b> .....	2
<b><i>Safety instructions</i></b> .....	<b>6</b>
<b>Warning</b> .....	<b>7</b>
<b>Caution</b> .....	<b>8</b>
<b>Precautions for use</b> .....	<b>10</b>
<b><i>Overview</i></b> .....	<b>12</b>
<b>Introduction</b> .....	<b>12</b>
Pump structure & Operating principle .....	12
Features .....	13
<b>Operational function</b> .....	<b>13</b>
Manual mode .....	13
EXT mode .....	14
Analogue proportional control.....	14
Pulse control .....	16
Batch control .....	16
Interval batch control.....	18
AUX function .....	18
Priming function .....	18
STOP functions .....	19
STOP function.....	19
Pre-STOP function.....	19
Analogue output function .....	19
Protective functions.....	20
Interlock function.....	20
Diaphragm rupture detection .....	20
Pressure overload/Failed rotation control detection .....	20
Alarm output function .....	21
Other functions.....	21
Suction speed setting.....	21
Maximum flow rate setting .....	21
Diaphragm position adjustment .....	21
Anti chattering programming.....	21
Output logic setting .....	21
Flow unit setting .....	21
Language setting .....	21
Keypad lock.....	21
Default setting .....	21

<b>Part names</b> .....	<b>22</b>
Pump.....	22
Operational panel.....	23
Basic displays & Pump states.....	24
<b>Identification codes</b> .....	<b>25</b>
Pump.....	25

## *Installation* ..... 26

<b>Pump mounting</b> .....	<b>26</b>
<b>Pipework</b> .....	<b>27</b>
Piping layout.....	27
<b>Drain port (Vent hole)</b> .....	<b>28</b>
<b>Wiring</b> .....	<b>29</b>
End terminals.....	29
Power voltage/Earthing.....	30
Signal wire connection.....	31
EXT IN.....	32
STOP IN.....	32
AUX IN/Analog OUT.....	33
Alarm OUT (DIN connector).....	33

## *Operation*..... 34

<b>Before operation</b> .....	<b>34</b>
Points to be checked.....	34
Retightening of pump head fixing bolts.....	34
Commissioning.....	35
Before a long period of stoppage (One month or more).....	35
<b>Perform a calibration</b> .....	<b>36</b>
Calibration process.....	37
<b>Operation programming</b> .....	<b>39</b>
Programming flow.....	40
Menu screen.....	41
EXT mode selection.....	42
Calibration.....	44
Signal input setting.....	45
Analogue output setting.....	46
Alarm output setting (OUT 1) <Mechanical relay>.....	47
Alarm output setting (OUT 2) <PhotoMOS relay>.....	49
Data logging.....	50
Programming of other functions.....	51
<b>Operation</b> .....	<b>54</b>
Manual operation.....	54
EXT operation.....	54

AUX function .....	55
Priming function .....	55
Keypad lock.....	56
Keypad lock activation .....	56
Keypad lock release.....	56
Emergency stop .....	56
<b><i>Maintenance</i>.....</b>	<b>57</b>
<b>Troubleshooting.....</b>	<b>58</b>
Pump.....	58
<b>Error messages.....</b>	<b>59</b>
<b>Inspection .....</b>	<b>59</b>
Daily inspection .....	59
Periodic inspection.....	59
<b>Wear part replacement.....</b>	<b>60</b>
Wear part list .....	60
Before replacement.....	62
Valve set replacement.....	62
Diaphragm replacement.....	63
<b>Exploded view .....</b>	<b>67</b>
Pump head, Drive unit & Control unit.....	67
Pump head.....	68
IX-D150 TC/TE R/N .....	68
IX-D300 TC/TE R/N.....	69
IX-D150 TC/TE FJ/FD/FA.....	70
IX-D300 TC/TE FJ/FD/FA .....	71
IX-D150/-D300 S6 R/N .....	72
IX-D150/-D300 S6 FJ/FD/FA.....	73
<b>Specifications/Outer dimensions.....</b>	<b>74</b>
Specifications.....	74
Pump.....	74
European power cable .....	74
Australian power cable.....	74
Body colour .....	74
Control unit.....	75
Outer dimensions .....	76
IX-D150/-D300 TC/TE R/N-TB .....	76
IX-D150/-D300 TC/TE R/N-RF .....	77
IX-D150/-D300 TC/TE FJ/FD/FA-TB.....	78
IX-D150/-D300 TC/TE FJ/FD/FA-RF .....	79
IX-D150/-D300 S6 R/N-TB .....	80
IX-D150/-D300 S6 R/N-RF .....	81
IX-D150/-D300 S6 FJ/FD/FA-TB.....	82
IX-D150/-D300 S6 FJ/FD/FA-RF .....	83

# Safety instructions

Read through this section before use. This section describes important information for you to prevent personal injury or property damage.

## ■ Symbols

In this instruction manual, the degree of risk caused by incorrect use is noted with the following symbols. Please pay attention to the information associated with the symbols.



Indicates mishandling could lead to a fatal or serious injury accident.



Indicates mishandling could lead to personal injury or property damage.

A symbol accompanies each precaution, suggesting the use of "Caution", "Prohibited actions" and specific "Requirement".

### Caution marks



Caution



Electrical shock

### Prohibition mark



Prohibited



Do not rework or alter

### Requirement mark



Requirement



Wear protection



Grounding

## Export Restrictions

Technical information contained in this instruction manual might be treated as controlled technology in your countries, due to agreements in international regime for export control.

Please be reminded that export license/permission could be required when this manual is provided, due to export control regulations of your country.

**⚠ WARNING**

Electrical shock

**Turn off power before service**

Risk of electrical shock. Be sure to turn off power to stop the pump and related devices before service is performed.



Requirement

**Stop operation**

If you notice any abnormal or dangerous conditions, suspend operation immediately and inspect/solve problems.



Prohibition

**Do not use the pump in any condition other than its intended purpose**

The use of the pump in any conditions other than those clearly specified may result in failure or injury. Use this product in specified conditions only.



Do not remodel

**Do not modify the pump**

Alterations to the pump carries a high degree of risk. It is not the manufacturer's responsibility for any failure or injury resulting from alterations to the pump.



Wear protectors

**Wear protective clothing**

Always wear protective clothing such as an eye protection, chemical resistant gloves, a mask and a face shield during disassembly, assembly or maintenance work. The specific solution will dictate the degree of protection. Refer to MSDS precautions from the solution supplier.



Prohibition

**Do not damage a power cable**

Do not pull, knot, or crush the power cable. Damage to the power cable could lead to a fire or electrical shock if cut or broken.



Prohibition

**Do not operate the pump in a flammable atmosphere**

Do not place explosive or flammable material near the pump.

## CAUTION



Requirement

### **Qualified personnel only**

The pump should be handled or operated by qualified personnel with a full understanding of the pump. Any person not familiar with the product should not take part in the operation or management of the pump.



Prohibition

### **Use specified power only**

Do not apply power other than that specified on the nameplate. Otherwise, failure or fire may result. Ensure the pump is properly grounded.



Prohibition

### **Keep electric parts and wiring dry**

Risk of fire or electric shock. Install the pump where it can be kept dry.



Caution

### **Ventilation**

Fumes or vapours can be hazardous with certain solutions. Ensure proper ventilation at the operation site.



Prohibition

### **Do not install/store the pump:**

- In a flammable/corrosive atmosphere.
- In a dusty/humid environment.
- Where ambient temperature can exceed 0-50°C (32-122°F).
- In direct sunlight or wind & rain.



Requirement

### **Spill precautions**

Ensure protection and containment of solution in the event of plumbing or pump damage (secondary containment).





Prohibition

**Do not use the pump in a wet location**

The pump is not waterproof. Use of the pump in wet or extremely humid locations could lead to electric shock or short circuit.



Earthing

**Grounding**

Risk of electric shock! Always properly ground the pump. Conform to local electric codes.



Electrical shock

**Install a GFCI (earth leakage breaker)**

An electrical failure of the pump may adversely affect other devices on the same line. Purchase and install a GFCI (earth leakage breaker) separately.



Requirement

**Preventative maintenance**

Follow instructions in this manual for replacement of wear parts. Do not disassemble the pump beyond the extent of the instructions.



Prohibition

**Do not use a damaged pump**

Use of a damaged pump could lead to an electric shock or death.



Requirement

**Disposal of a used pump**

Dispose of any used or damaged pump in accordance with local rules and regulations. If necessary, consult a licensed industrial waste disposal company.



Caution

**Check pump head bolts**

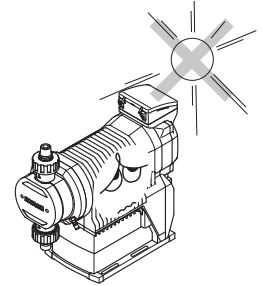
Liquid may leak if any of the M8 pump head bolts become loose. Remove the bolt cover and tighten the bolts diagonally and evenly by 12N•m before initial operation and at regular intervals.

## Precautions for use

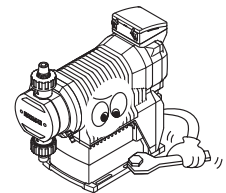
- Electrical work should be performed by a qualified electrician. Otherwise, personal injury or property damage may result.



- Do not install the pump:
  - In a flammable atmosphere.
  - In a dusty/humid place.
  - In direct sunlight or wind & rain.
  - Where ambient temperature can exceed 0-50°C (32-122°F).



- Select a level location, free from vibration, that won't hold liquid. Anchor the pump with four M8 bolts so it doesn't vibrate. If the pump is not installed level, output may be affected.



- When two or more pumps are installed together, vibration may be significant, resulting in poor performance or failure. Select a solid foundation (concrete) and fasten anchor bolts securely to prevent vibration during operation.



- Allow sufficient space around the pump for easy access and maintenance.



- Install the pump as close to the supply tank as possible.



- When handling liquids that generate gas bubbles (sodium hypochlorite or hydrazine solution), install the pump in a cool and dark place. Flooded suction installation is strongly recommended.



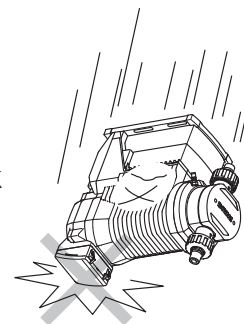
- The suction line I.D. should be equal to or wider than the I.D. of the pump.



- Build up a flooded suction system for the viscous liquid delivery of 300mPa•S or more.



- Use measures to keep the pump connections free from stress. Weight and thermal expansion/contraction of the piping can stress connection points.
- Overload protection will stop pump operation when discharge pressures reach 1.3 to 2.0 times higher than the pump maximum. If the discharge line cannot conservatively handle the maximum pressure, use a relief valve to safely depressurize the discharge line.
- Use care handling the pump. Do not drop. An impact may affect pump performance. Do not use a pump that has been damaged to avoid the risk of electrical damage or shock.
- The pump has a rating of IP65, but is not waterproof. Do not operate the pump while wet with solution or water. Failure or injury may result. Immediately dry off the pump if it gets wet.
- Do not close discharge line during operation. Solution may leak or pump and piping may break. Install a relief valve to ensure safety and prevent damaged plumbing.
- Solution in the discharge line may be under pressure. Release the pressure from the discharge line before disconnecting plumbing or disassembly of the pump to avoid solution spray.
- Wear protective clothing when handling or working with pumps. Consult solution MSDS for appropriate precautions. Do not come into contact with residual solution.
- Do not clean the pump or nameplate with a solvent such as benzine or thinner. This may discolour the pump or erase printing. Use a dry or damp cloth or a neutral detergent.
- The S6 type may fall down due to the weight of its stainless pump head. Do not tilt the pump head forward in transit, installation and dismantlement.



# Overview

Pump characteristics, features and part names are described in this section.

## Introduction

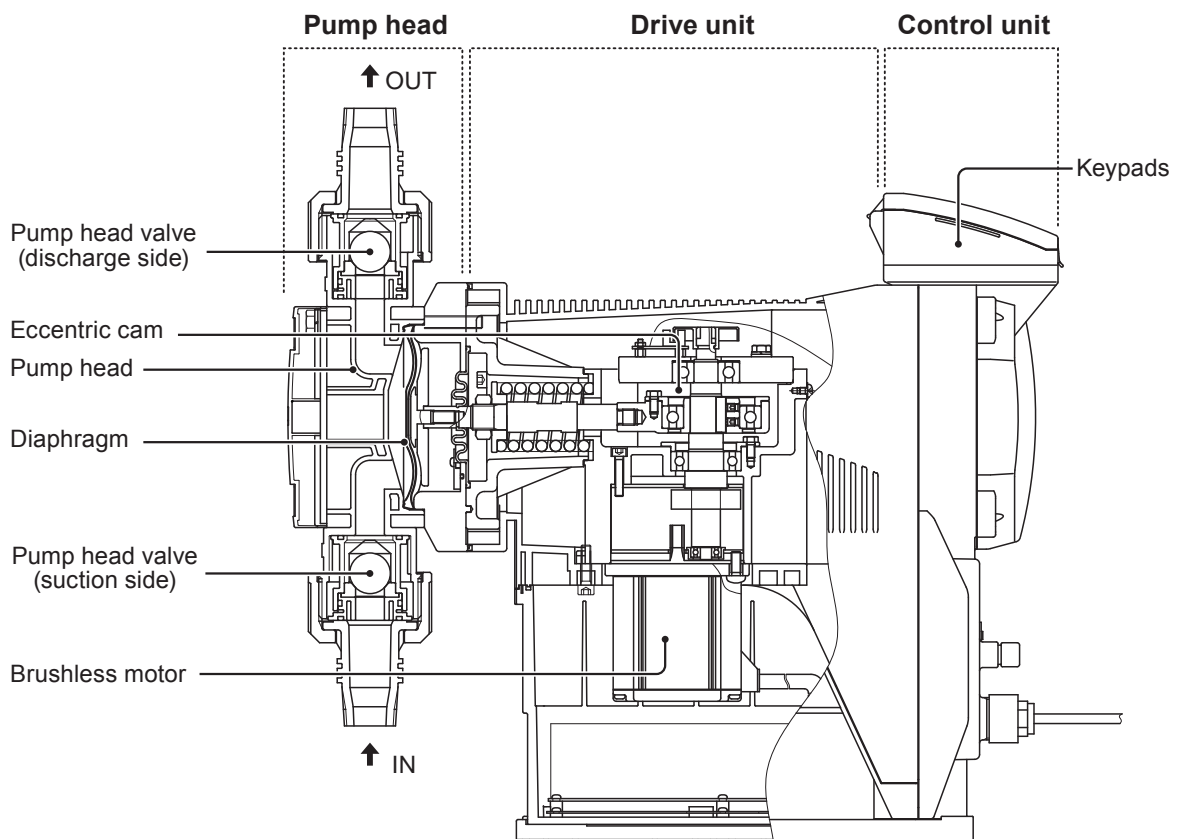
### Pump structure & Operating principle

The IX series are diaphragm pumps with a brushless DC (BLDC) motor and feature a high turndown ratio & automatic controls.

#### Principle of operation

In the IX series design, a BLDC motor rotation controls the flow rate.

Motor rotation is transmitted to an eccentric cam through a reduction gear and then converted to reciprocating motion. Volumetric change occurs in the pump chamber as the diaphragm moves back and forth and liquid is pumped because of the suction and discharge check valves. Discharge speed changes the flow rate while the suction speed remains the same at any flow rate.



## Features

- **High turndown ratio**

Use of a BLDC control motor enables accurate control with a wide turndown ratio.

- **High repeatability**

Highly-efficient valve design and accurate discharge-/suction-speed controls assure the high repeatability of chemical dosing ( $\pm 1\%$ ).

- **Energy-saving design**

Use of helical gears and an assist spring reduces power consumption by 70% compared to our existing metering pump designs (spring back).

- **Automatic control**

The IX can automatically run along with analogue-, pulse-, batch- or interval batch-operation programming.

- **Multivoltage operation**

The IX series can be used in all countries thanks to the universal power voltage (100-240VAC).

- **Safety design**

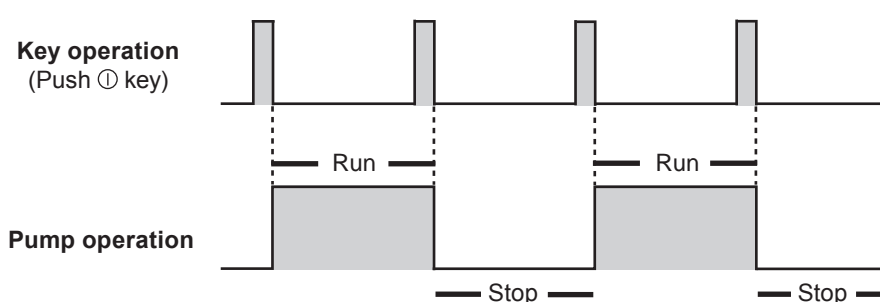
A diaphragm rupture detection ensures user safety and a pressure overload detection protects the pump and pipework from an accidental discharge line pressure rise.

- **Ingress protection rating of IP65**

## Operational functions

### Manual mode

Run/stop the pump by key operation. The flow rate can be changed by the up and the down keys at any time during operation or stop. The operation LED lights in green colour during operation. See page 54 for detail.

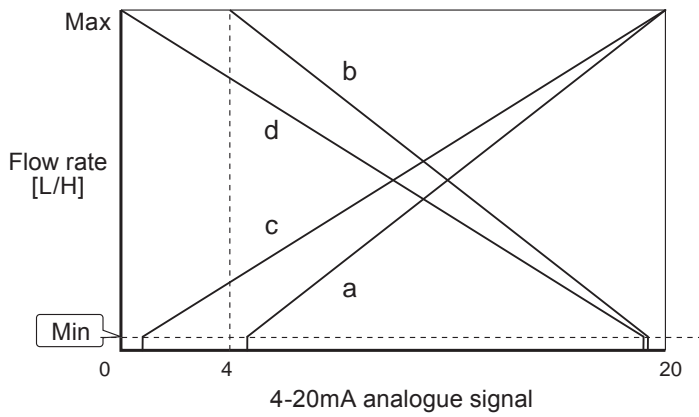


## EXT mode

### ■ Analogue proportional control

#### ANA. P (analogue preset) programming (see page 42 & 54)

Select a proportional control pattern. 4 - 20mA, 20 - 4mA, 0 - 20mA and 20 - 0mA are available. During operation, the display shows the current flow rate. To show the current value, push the → key. To return to the flow rate display, push the ← key.



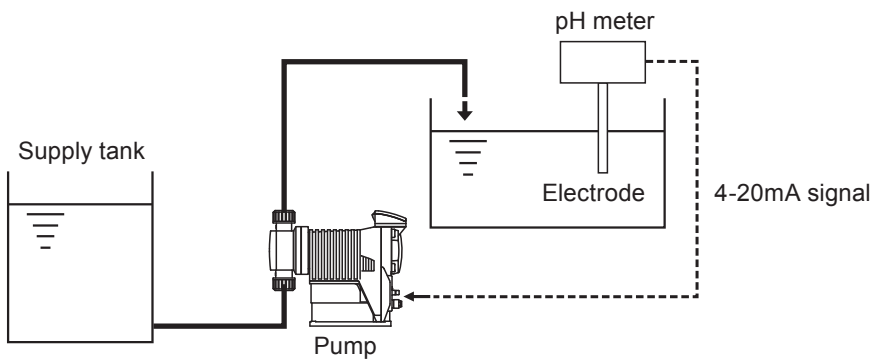
The left graph shows the flow rate at each pattern.

- a. 4 - 20mA
- b. 20 - 4mA
- c. 0 - 20mA
- d. 20 - 0mA

\*The flow rate falls to 0mL/H if the pump runs beneath the minimum rate.

\*The pump does not run over the maximum flow rate at any current value.

Example of use: pH control in a water treatment system



### ANA. V (analogue variable) programming (see page 42 & 54)

The pump increases/decreases a stroke/flow rate in proportion to 0-20mA. Determine the operational behaviour by programming two set points and choosing one of the LINEAR, BOX and LIMIT patterns.

To show the current value, push the → key. To return to the flow rate display, push the ← key.

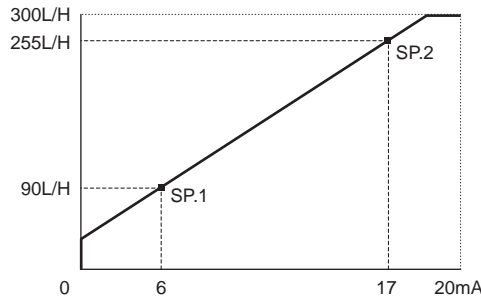
#### <LINEAR>

A stroke/flow rate changes with a current value by a programmed line.

Condition:

Set Point 1 (SP.1) = Ampere : 6mA, Flow rate : 90L/H

Set Point 2 (SP.2) = Ampere : 17mA, Flow rate : 255L/H



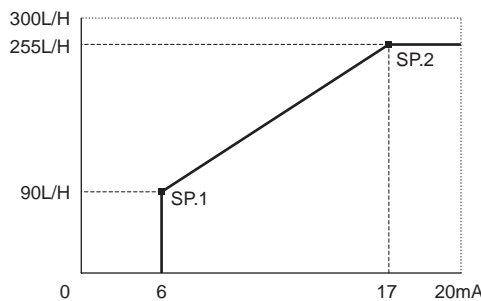
#### <BOX>

A stroke/flow rate changes with a current value by a programmed line. The rate does not exceed the Set Point 2 but then falls to 0 before the Set Point 1.

Condition:

Set Point 1 (SP.1) = Ampere : 6mA, Flow rate : 90L/H

Set Point 2 (SP.2) = Ampere : 17mA, Flow rate : 255L/H



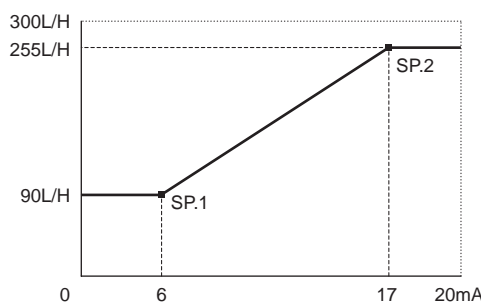
#### <LIMIT>

A stroke/flow rate changes with a current value by a programmed line. The rate does not fall below the Set Point 1 or exceed the Set Point 2.

Condition:

Set Point 1 (SP.1) = Ampere : 6mA, Flow rate : 90L/H

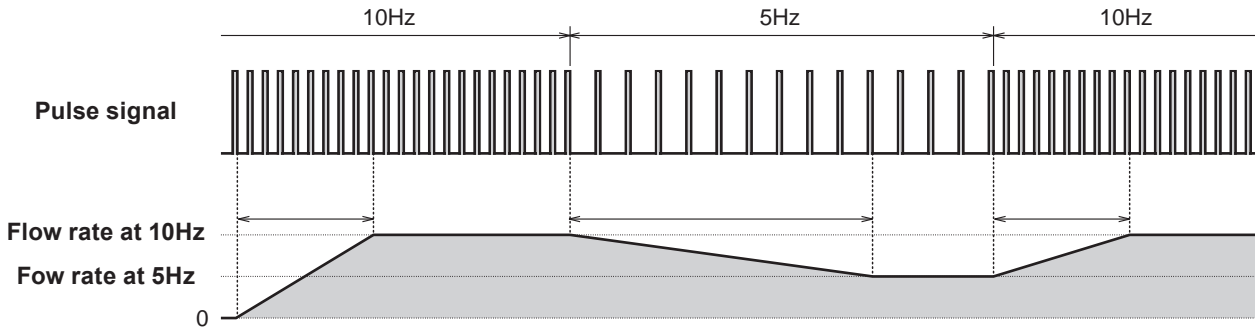
Set Point 2 (SP.2) = Ampere : 17mA, Flow rate : 255L/H



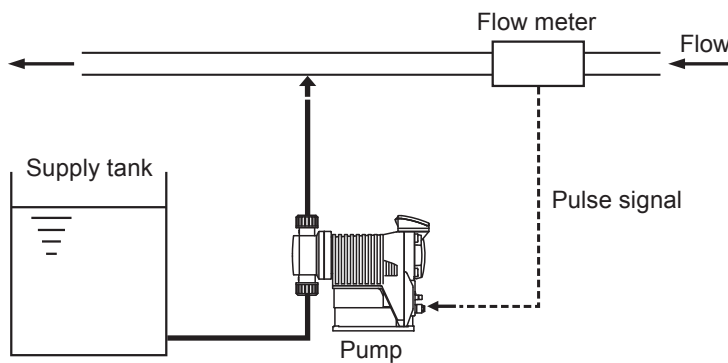
## ■ Pulse control (see page 42 & 54)

The flow rate is automatically controlled by the flow volume (ml) per pulse and the pulse signal frequency from a flow meter.

\*It takes about 10 pulses for the IX to catch up with the change of the frequency.



Example of use: Chemical dosing in a sewage treatment system



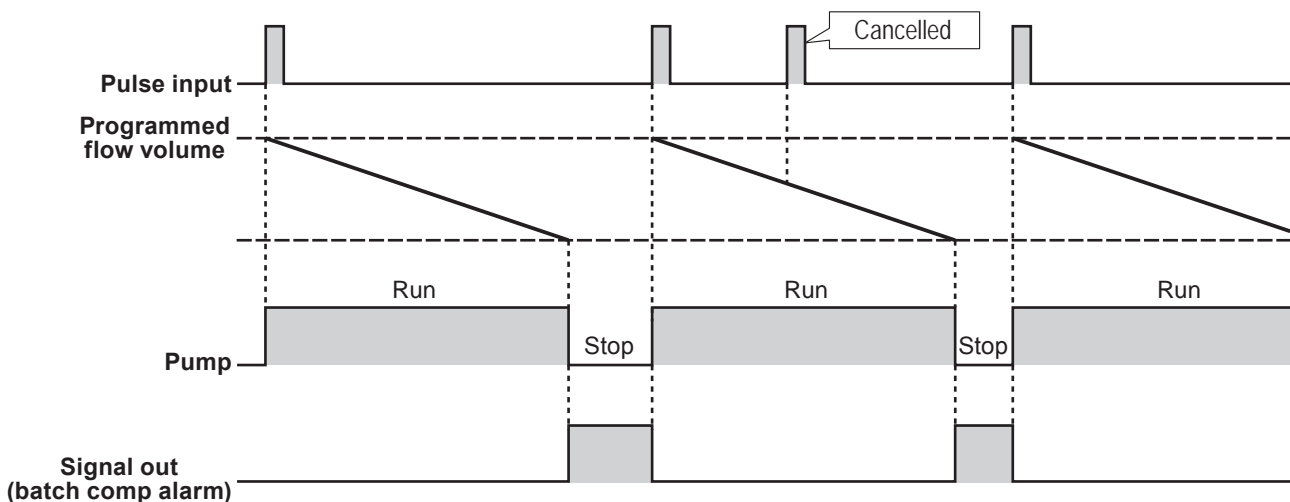
## ■ Batch control (see page 42 & 54)

The IX discharges a programmed flow volume per pulse and stops when it is completed. The programmed or remaining flow volume is shown on the controller until it has reduced to zero. In this control mode, the pump runs at the MAN speed (the pump speed in the manual mode). The pump behaviour can change depending on the setting of the buffer. See below.

### When the buffer is OFF:

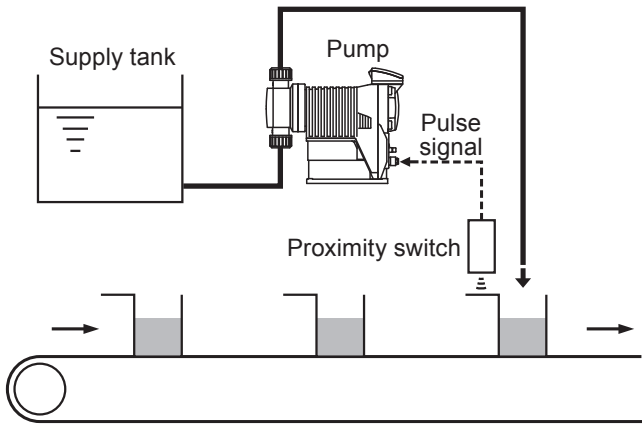
Any input of the external pulse signal will be cancelled when the pump is activated for the earlier pulse input. The next dosing becomes ready after the programmed flow volume has been completed.

\*Note the control stops immediately when the  key is pushed once.





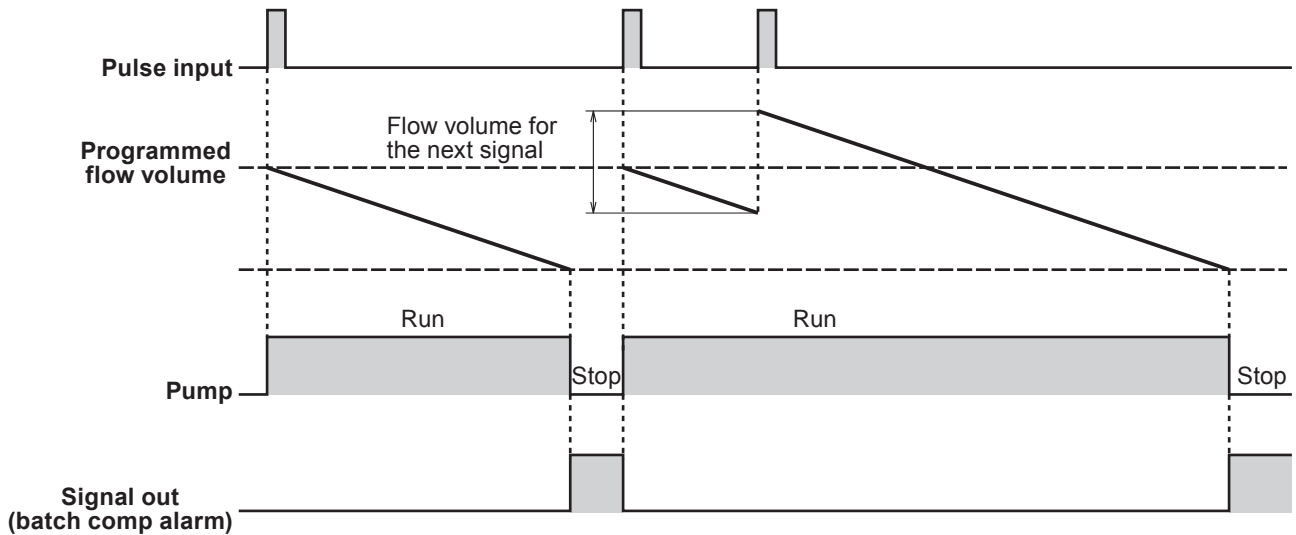
Example of use: Chemical dosing in a production line system




**When the buffer is ON:**

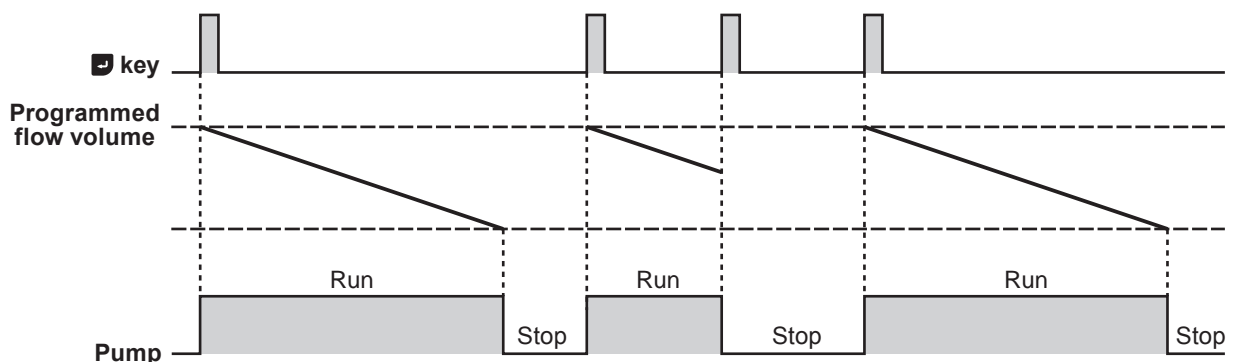
Every time the external pulse signal is inputted, the programmed flow volume per pulse is accumulated (max 65535 pulses) even when the pump is activated for the earlier pulse input.

\*The control stops immediately and all the pulse accumulation is cleared when the  key is pushed once.






**Pulse input by the  key:**

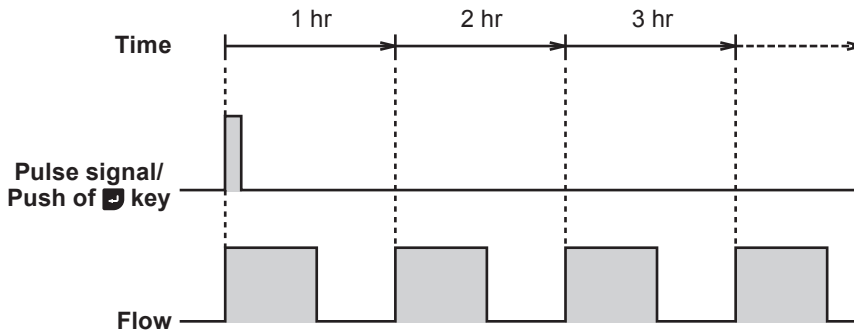
Instead of the pulse signal input, pushing the  key can start or stop the batch control. In this case, the pump behaves as the control with the buffer OFF even when the buffer is set to ON in the batch control mode.



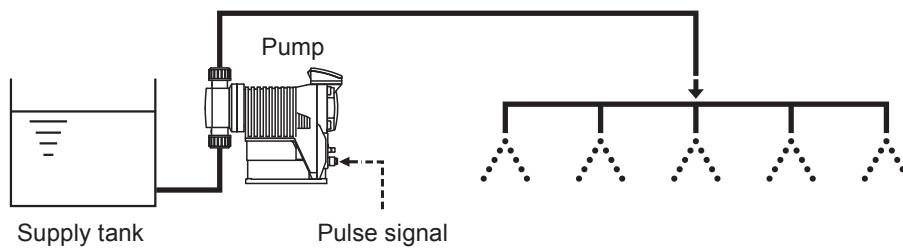
## ■ Interval batch control (see page 42 & 54)

To make an interval batch control, set a date and time interval and the flow volume. The IX discharges the programmed flow volume at a set interval. In the diagram below, the interval is set to 1 hour.

\*The pump runs at the MAN speed. The control is triggered by either the external pulse signal or the push of the  key. Push the  key to stop the control when it is triggered by the  key.



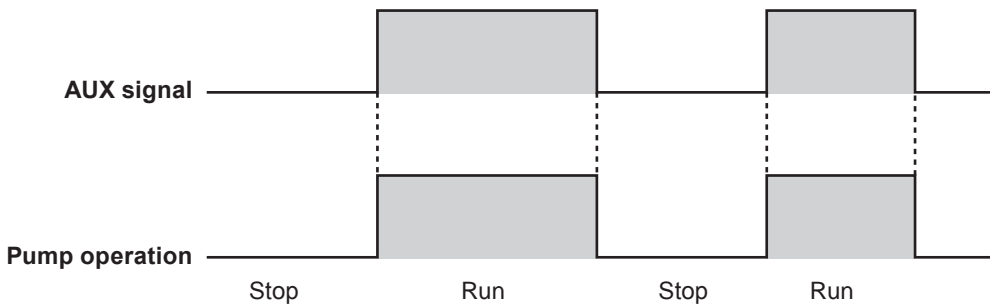
Example of use: Water transfer for a sprinkler system



## AUX function

The pump runs at the AUX speed while receiving the external signal via the AUX terminal. See page 51.

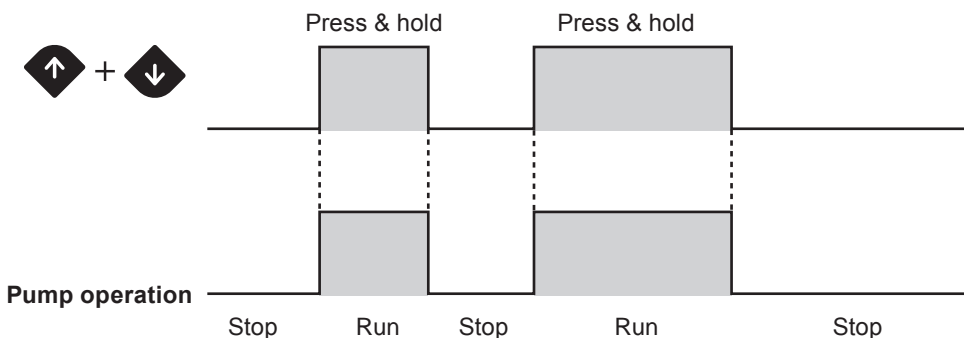
\*This function works only when the pump is running in either MAN or EXT mode (see page 40.). The pump returns to the MAN or EXT mode once the AUX signal stops.



## Priming function

The pump runs at the MAN speed (or the maximum stroke rate with default setting) while both the UP and DOWN keys are pressed. Use this function for priming or degassing. Release both the keys to stop the pump. See page 55 for detail.

\*This function is available at any time except when the pump is in the MAN/EXT selection or menu selection (see page 40.).

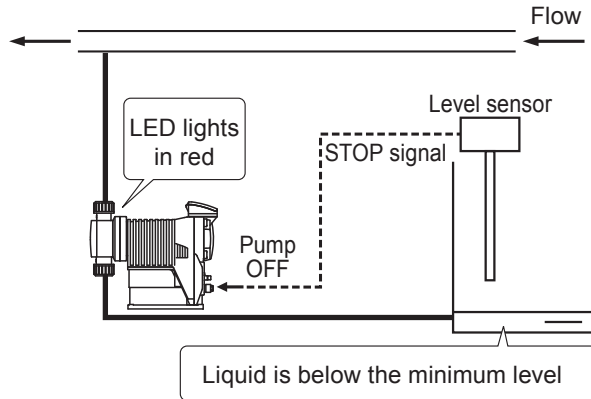


## STOP functions

### ■ STOP function (see page 45)

The start/stop of operation can be controlled by the signal from a level sensor. The operation LED changes from green to red colour when the pump is receiving the Pre-STOP signal from a level sensor in operation. See page 32 "STOP IN" for wiring diagram.

Example of use: Liquid level monitoring

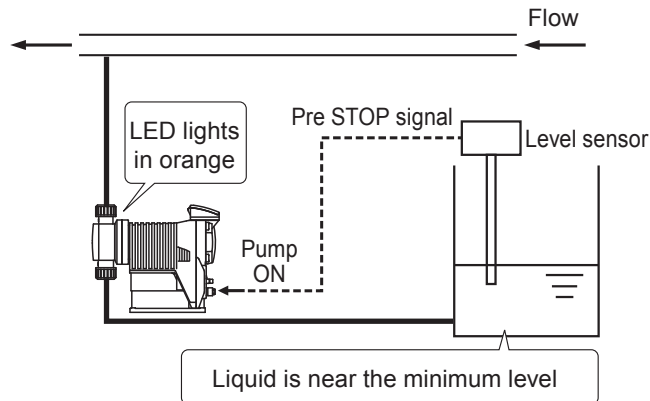


The pump stops when liquid has fallen below the minimum level.

### ■ Pre-STOP function (see page 45)

Liquid level in the supply tank can be monitored by the signal from a level sensor. The operation LED changes from green to orange colour when the pump is receiving the Pre-STOP signal from a level sensor in operation. See page 32 "STOP IN" for wiring diagram.

Example of use: Liquid level monitoring



The operation LED lights in orange colour to inform a user that liquid comes close to the minimum level in a supply tank.

## Analogue output function

The pump transmits the 0-20mA analogue signal in proportion to the preset flow rates. See page 46.

## Protective functions

### ■ Interlock function (see page 32 & 47)

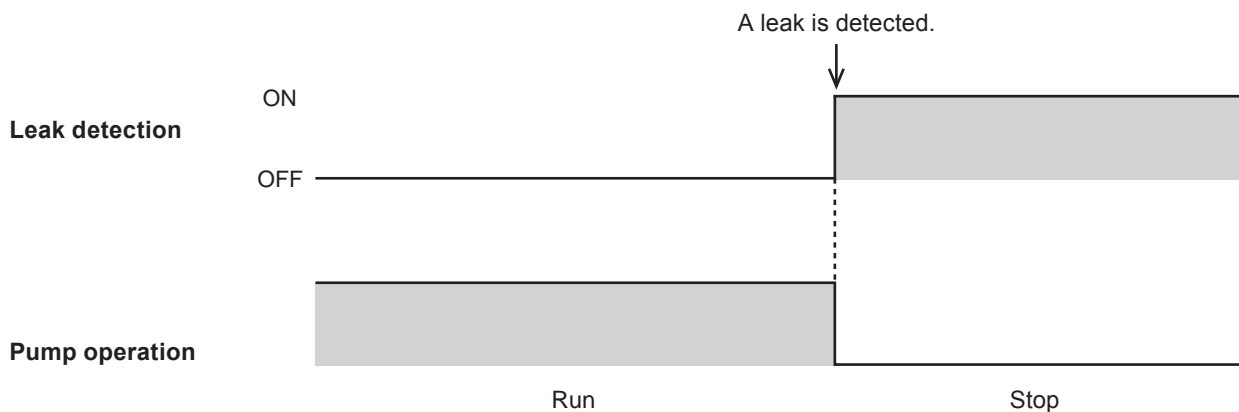
Interlock function works in the same way as the STOP function but uses a preference circuit. Use this function for emergency stop.

### ■ Diaphragm rupture detection (see page 45)

The pump stops right after a built-in sensor detects a leak in the compartment at the back of the diaphragm. In this condition, the operation LED lights in red colour. Replace a broken diaphragm as necessary. See page 63 for diaphragm replacement. To release this error condition, push the start/stop key (or the ESC key if the pump is under the Profibus control.).

#### NOTE

This capacitance sensor does not work properly if liquid conductivity is 1mS/m or below. Before sending pure water, oil or any other low-conductivity liquid, check the conductivity to see if it meets the minimum detection level. If it is not satisfied, the leak sensor is no longer usable. In this case a leak from the drain port is the only valid indicator. In either case, replace the diaphragm immediately when a leak is found.

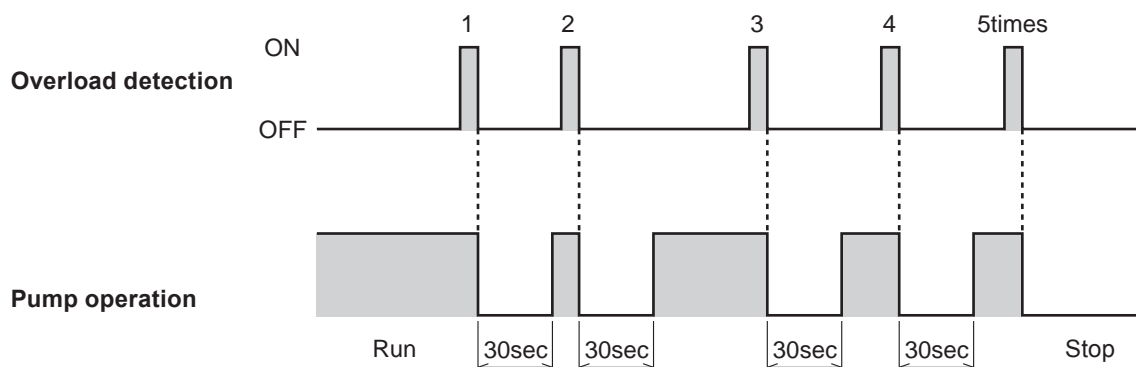


### ■ Pressure overload/Failed rotation control detection

The pump stops with the red operation LED blinking when a built-in pressure sensor detects 1.3-2.0 times higher discharge pressure than the maximum level or when the hole IC which monitors the motor rotation has failed. If the pump is suspended (by the over-current protection) in either condition, the pump resumes operation 30 seconds later. If the suspended operation has recurred 5 times consecutively, the pump will not resume operation any more and will keep still. These error conditions can be released when the start/stop key is pushed once.

#### NOTE

The discharge pressure can rise 1.3-2.0 times higher than the maximum allowable level of the pump depending on operating conditions and piping layouts. Also, if the pressure rises too sharp (with the closed discharge), it may not be even detected or curbed by the over-current protection. Set up a relief valve to protect the related devices on the discharge line from the possible pressure rise if their pressure resistance is low.



### ■ Alarm output function (see page 47)

Enable or disable the output of the batch completion, STOP, Pre-STOP, interlock, diaphragm rupture detection, pressure overload detection, and/or drive error detection functions which is preset to the Alarm OUT 1 and 2, or the output of the volume proportional pulse preset only to the Alarm OUT 2. See page 33 "Alarm OUT (DIN connector)" for wiring diagram.

Alarm OUT 1 (OUT 1) : Mechanical relay output (no voltage contact 1a×1 250VAC 3A, resistive load)

Alarm OUT 2 (OUT 2) : PhotoMOS relay output (no voltage contact 1a×1 24VAC/DC 0.1A, resistive load)

## Other functions

---

### ■ Suction speed setting (see page 51)

Suction speed is adjustable by 4 levels depending on liquid property. Reduce suction speed so as to reduce inertia resistance for the delivery of viscous liquid or to prevent cavitation for gaseous liquid. Select 100% (default), 75%, 50% or 25%.

### ■ Maximum flow rate setting (see page 51)

The maximum allowable flow rate of the IX can be reduced if necessary. The default setting of the IX-D150 is 150L/H and the IX-D300 is 300L/H.

### ■ Diaphragm position adjustment (see page 51)

A pump shaft expands or contracts for easy diaphragm replacement. Select "MAX OUT Pos." through the "Other Features" menu in order to extend the pump shaft to the maximum. Select "MAX IN Pos." to contract it to the minimum and mount the pump head. See page 63 "Diaphragm replacement" for detail.

### ■ Anti chattering programming (see page 51)

Program a pulse recognition time for the IX not to be adversely affected by chattering or noise. Factory default setting is 5 msec. This means the pump recognizes the pulse length of 5 msec or more. The other options are 1 and 2 msec and should be selected for the shorter pulse length, however, note the shorter the recognition time is, the more susceptible to the interference of noise the pump becomes. Note the maximum allowable input frequency of the IX is 100Hz.

### ■ Output logic setting (see page 51)

Select "normally open" or "normally closed" for the Alarm OUT 1 (OUT 1) and 2 (OUT 2) outputs.

### ■ Flow unit setting (see page 51)

Select L/H or GPH for the flow rate indication.

### ■ Language setting (see page 51)

Select your language through the language selection.

### ■ Keypad lock (see page 56)

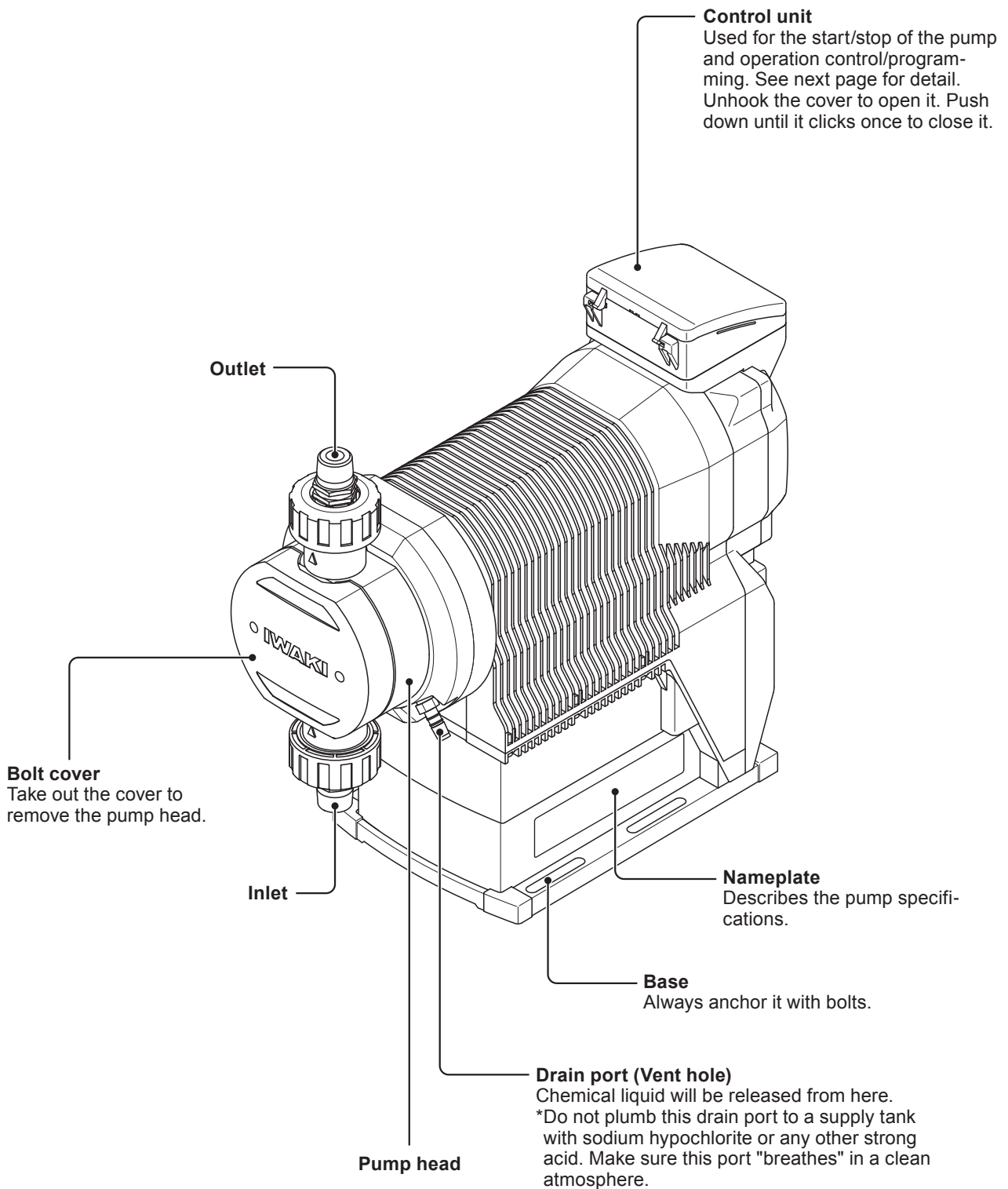
The IX-D is shipped with the access codes at default values (00000). In order to prevent against unauthorized tampering, you will need to change the access codes to your own values.

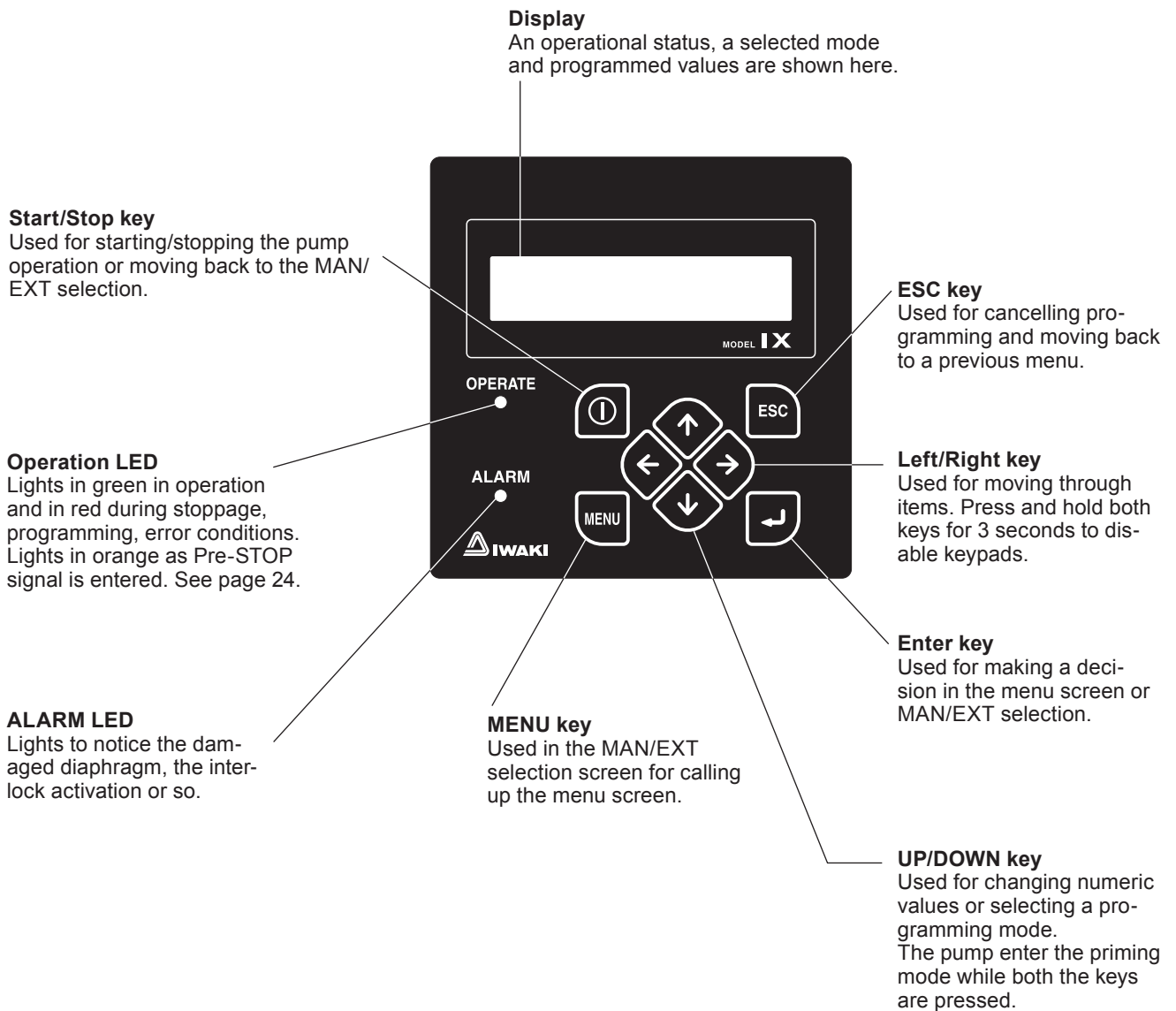
### ■ Default setting

Power on the pump while pressing the ESC key to recall default setting. Note the flow volume per shot obtained through the calibration process (see page 37) remains the same.

# Part names

## Pump





## ■ Basic displays & Pump states

	Display	Operation LED lights in red	Operation LED lights in green	Operation LED lights in orange	ALARM LED lights in red
Operation	PUMP On (Manual) 300 L/H	—	Operation in manual mode	—	—
	PUMP On (Ana.P) 300 L/H	—	Operation in EXT mode (Analogue control)	—	—
	AUX IN OVERRIDE! 300 L/H	—	AUX operation	—	—
	PRIMING OVERRIDE @ 300 L/H	—	Operation in priming mode	—	—
	Pre-Stop (MAN) 300 L/H	—	—	Pre-STOP function is active.	Pre-STOP function is active.*
Stop	Standby (Manual) 300 L/H	A wait state in manual mode	—	—	—
	Standby (EXT) Analog Preset	A wait state in EXT mode (analogue control)	—	—	—
	SELECT OPERATION MAN ← → EXT (ANA.P)	MAN/EXT selection	—	—	—
	MAIN MENU: ← Program EXT →	Menu screen	—	—	—
	MOTOR OVERLOAD! S/S Key = Clear or CHECK PLUMBING BEFORE CLEARING!	Pressure overload protection is active.	—	—	Pressure overload protection is active.*
	LEAK DETECTED! S/S Key = Clear	Diaphragm is broken.	—	—	Diaphragm is broken (Alarm OUT 1 default setting).*
	DRIVE ERROR! S/S Key = Clear	Failed rotation control is detected.	—	—	Failed rotation control is detected.*
	STOPPED (Manual) -----	Operation stop in manual mode	—	—	Operation stop in manual mode*
INTERLOCKED (MAN) -----	—	—	—	Interlock function activation (Alarm OUT 2 default setting)*	

\*The Alarm LED becomes active when a function is allocated to the Alarm OUT 1 or 2.



# Identification codes

Each code represents the following information.

## Pump

IX - D 150 TC R - TB - E

a b c d e f g h

### a. Series name

### b. Drive unit

### c. Pump unit (Max flow)

150 : 150 [L/H]

300 : 300 [L/H]

### d. Wet end materials

Code	TC	TE	S6
Pump head	PVDF+PPS (PPS is not a wet end)		SUS316
Ball valve	CE		SUS316
Valve seat	FKM	EPDM	SUS316
O ring	FKM	EPDM	—
Valve gasket	—		PTFE
Diaphragm	PTFE+EPDM (EPDM is not a wet end)		

\*EPDM is not a wet end.

### Material code

PVDF : Polyvinylidene difluoride

PPS : Poly Phenylene Sulfide

CE : Ceramics

FKM : Fluorine-contained rubber

PTFE : Polytetrafluoroethylene

EPDM : Ethylene-propylene rubber

SUS316 : Austenite stainless

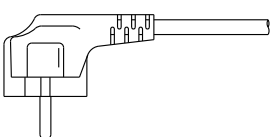
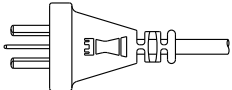
### e. Connection

R : R thread    N : NPT thread    FJ : JIS flange    FD : DIN flange    FA : ANSI flange

### f. Controller housing

TF : Top Front    TB : Top Back    TR : Top Right    TL : Top Left    RF : Right Face    LF : Left Face

### g. Power plug

Code	E	A
Plug shape		
	Europe (2m length)	Australia (2m length)

### h. Special version

No code : Standard

: Customized models will be suffixed with the special version codes.

# Installation

This section describes the installation of the pump, piping and wiring. Read through this section before work.

## **!** Points to be observed

Observe the following points when installing the pump.

- Risk of electrical shock. Be sure to turn off power to stop the pump and related devices before service is performed.
- If you notice any abnormal or dangerous conditions, suspend operation immediately and inspect/solve problems.
- Do not place explosive or flammable material near the pump.
- Use of a damaged pump could lead to an electric shock or death.

## Pump mounting

Select an installation location and mount the pump.

### Necessary tools

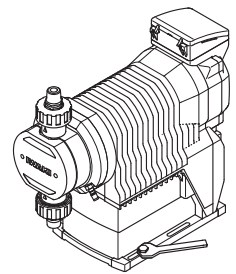
- Four M8 bolts (pump mounting)
- Adjustable wrench or spanner

- 1 Select a suitable place.  
Always select a flat floor free of vibrations. See page 10 for detail.

- 2 Anchor the pump by four M8 bolts.  
Be sure to fix the pump at four points.

#### NOTE

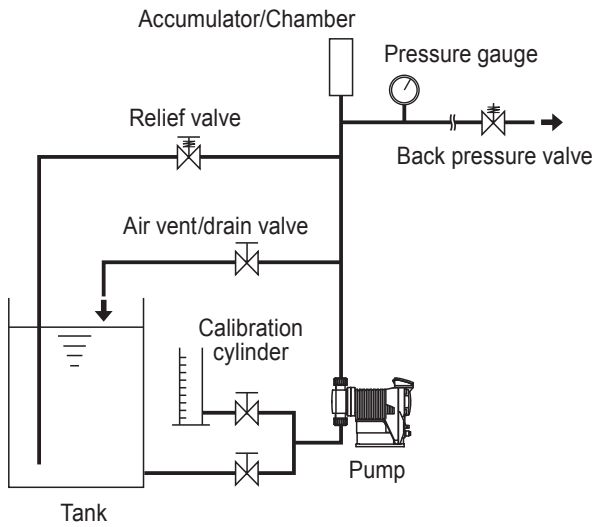
Select a level location, or the flow may reduce.



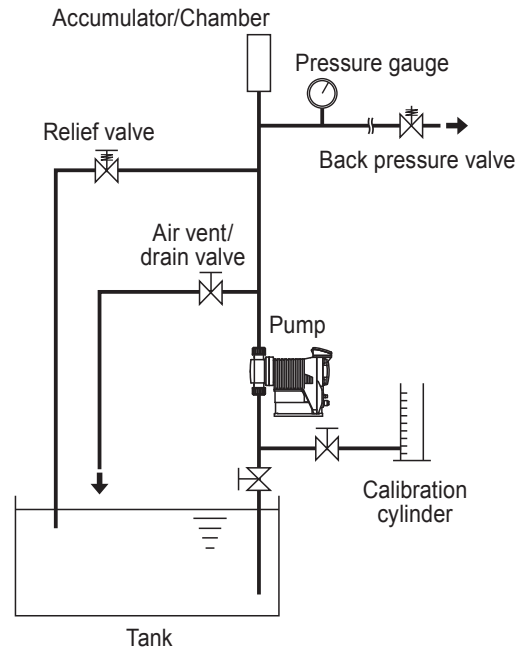
# Pipework

## ■ Piping layout

### Flooded suction application



### Suction lift application



### NOTE

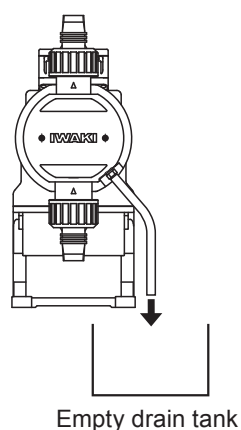
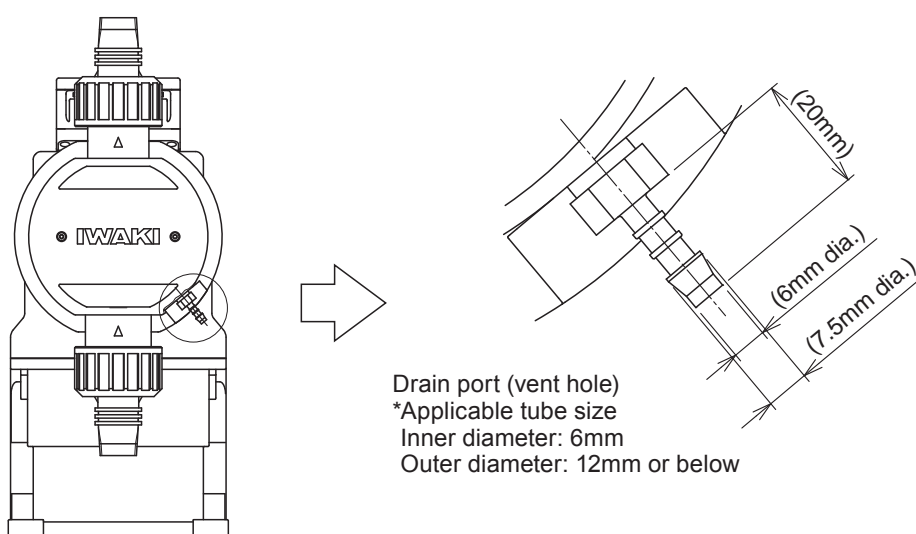
- The suction line I.D. should be equal to or wider than the I.D. of the pump.
- When handling liquids that generate gas bubbles (sodium hypochlorite or hydrazine solution), install the pump in a cool and dark place. Flooded suction installation is strongly recommended.

## Drain port (Vent hole)

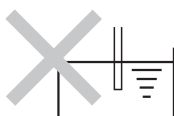
Leaked liquid drains through the drain port at the time of accidental diaphragm rupture. Use an appropriate chemically-resistant tube to the port to safely collect the liquid.

### NOTE

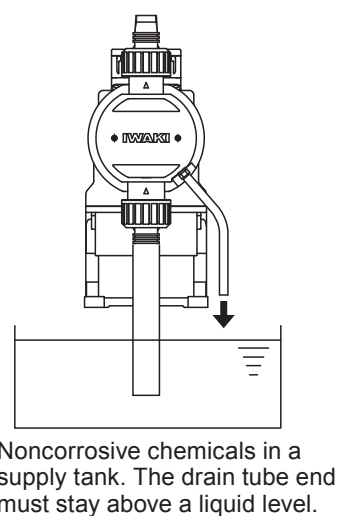
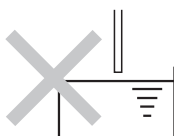
- Do not plug the drain port. The port functions as a vent hole to keep the pressure behind the diaphragm back atmospheric.
- Do not immerse the end of a drain tube in drained liquid, or the liquid may be pumped up into the compartment behind the diaphragm back.
- Liquid in the drain tank is the sign of the damaged diaphragm. Immediate inspection or repair is necessary. Do not leave this condition as it is. Fumes or vapors from certain solutions may move up into the pump via the drain tube and attack its inside.



Do not locate the drain tube end below a liquid level.



Do not take in fumes from corrosive chemicals such as sodium hypochlorite.



# Wiring

Wiring for power voltage, earthing and external signals.

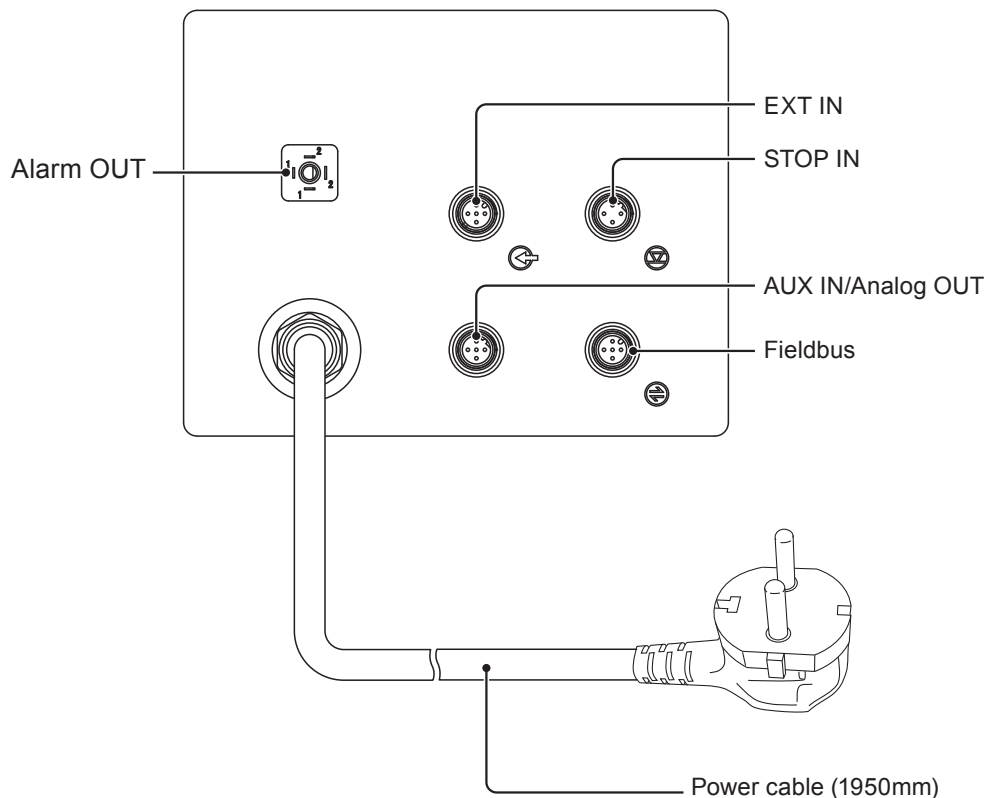
## ! Points to be observed

Observe the following points during wiring work.

- Electrical work should be performed by a qualified electrician. Always observe local electric codes.
- Do not apply power other than that specified on the nameplate. Otherwise, failure or fire may result.
- Do not perform wiring work while electric power is on. Otherwise, an electrical shock or a short circuit may result. Be sure to turn off the power before wiring work.
- Be careful for electric power not to be turned on during work.
- Replacement of a power cable should be conducted by a manufacturer, his agency or a skilled person. Otherwise, an accident may result.

## End terminals

See the following diagram for detail.



## Power voltage/Earthing

### Points to be checked

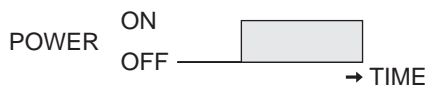
- Check that power voltage is turned off.

1 Insert the plug all the way seated in a socket.

### NOTE

- Do not share a power source with a high power device which may generate a surge voltage. Otherwise an electronic circuit may fail. The conductive noise caused by an inverter also affects the circuit.
- Energize the pump with a power voltage via a mechanical relay or switch. Do not fluctuate the voltage, or CPU may malfunction. See page 31 for the precautions for ON-OFF control by a mechanical relay.

#### Apply power sharply



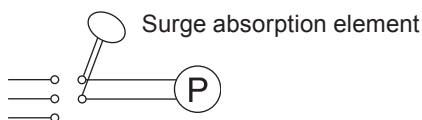
#### Do not apply gradually



### Surge voltage

The electronic circuit in the control unit may fail due to a surge voltage. Do not place the pump close to a high power device of 200V or more which may generate a large surge voltage. Otherwise, take any of the following measures.

- Install a surge absorption element (such as a varistor with capacity of 2000A or more) via power cable or,



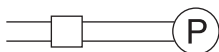
Recommended varistors:

Panasonic ERZV14D431

KOA NVD14UCD430

See manufacturer's catalogues for detail.

- A noise cut transformer via the power cable.



Noise cut transformer

### Precautions for ON-OFF control by a mechanical relay

The control unit is equipped with a CPU. To ensure the CPU to work properly, always start/stop the pump by the STOP signal for ON-OFF control. Try not to turn on and off the main power. Otherwise, observe the following points:

- Ensure the minimum OFF time of 10 minutes.
- The contact capacity of a mechanical relay should be 5A or more. Or a contact point may break.
- If the contact capacity of a mechanical relay is 5A, the maximum allowable number of times the power is turned ON/OFF is 150,000. The contact capacity should be 10A or more when the actual number of times is over 150,000 or when sharing a power source with a large capacity equipment which may cause a surge voltage and damage a contact point.
- Use a solid state relay (SSR) as necessary (such as the OMRON G3F). See manufacturer's catalogues for detail.

## Signal wire connection

### Points to be checked

- Check that power voltage is turned off.

Use our optional connector cables below or purchase DIN 4- and 5-pin female connector cables when using signal input and output.

Optional 5m DIN connector cables for:

*The EXT input signal*

*The STOP input signal*

*The AUX input/Analog output signals*

*The Alarm output signal*

### NOTE

- Do not lay on these signal cables in parallel with a power cable. Otherwise the electromagnetic induction noise is generated and malfunction or failure may result.
- The following products are the recommended SSRs (Solid State Relays) for signal input. Any other SSRs might cause malfunction. See manufacturer's information for details on these SSRs.
  - OMRON G3FD-102S or G3FD-102SN
  - OMRON G3TA-IDZR02S or G3TA-IDZR02SM
- When using a mechanical relay for signal input, its minimum application load should be 5mA or below.
- Insert the DIN 4- or 5-pin female connector as far as it will go and then tighten the skirt to make a secure connection.

\*Use either a no-voltage contact or an open collector for the EXT signal.

## ■ EXT IN

To make pulse-, batch-, interval batch- and analogue-control operation or to activate interlock function, connect signal wires to the EXT terminals via the DIN 5-pin connection.

### **When using an open collector:**

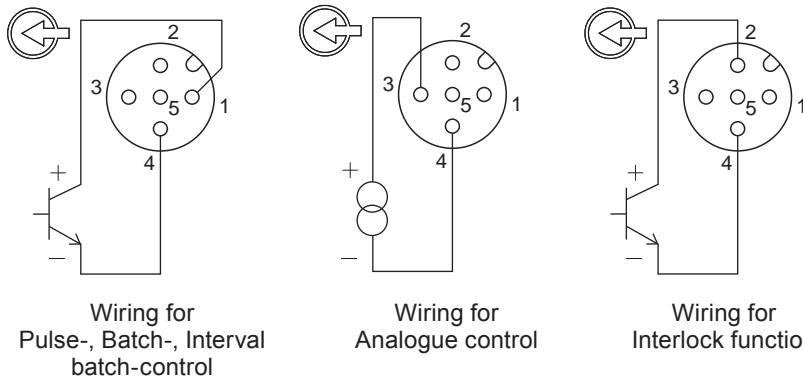
Pay attention to polarity. Pulse (1) and Interlock (2) are plus (+), and COM (4) is minus (-).

### **When using analogue control:**

Pay attention to polarity. Analogue (3) is plus (+) and COM (4) is minus (-). Internal resistance is 200Ω.

### **When using a no-voltage contact:**

Use a mechanical relay designed for an electronic circuit. Its minimum application load should be 5mA or less.



- 1 : Pulse (Brown)
  - 2 : Interlock (White)
  - 3 : Analogue (Blue)
  - 4 : COM (Black)
  - 5 : 12VDC30mA or below (Green)
- \*Each wire is coloured as above for our optional cable. The terminal 5 is an output and is not used. Do not short-circuit this terminal to COM (4).

## ■ STOP IN

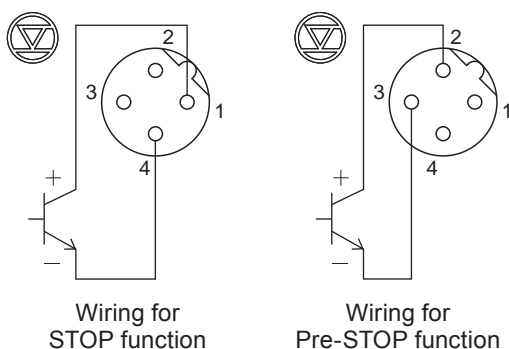
To activate STOP function, connect signal wires to the STOP terminal via the DIN 4-pin connection.

### **When using an open collector:**

Pay attention to polarity. STOP (1) and Pre-STOP (2) are plus (+), and COMs (3 and 4) are minus (-).

### **When using a no-voltage contact:**

Use a mechanical relay designed for an electronic circuit. Its minimum application load should be 5mA or less.



- 1 : STOP (Brown)
  - 2 : Pre-STOP (White)
  - 3 : COM (Blue)
  - 4 : COM (Black)
- \*Each wire is coloured as above for our optional cable.

## NOTE

Our optional cable has 5 wires. Cut off a green wire to use it with the DIN 4-pin connector.



## ■ AUX IN/Analog OUT

To activate the AUX function or to use the analogue output, connect signal wires to the AUX terminal or the 4-20mA output terminal via the DIN 5-pin connection.

### **When using an open collector (for AUX IN):**

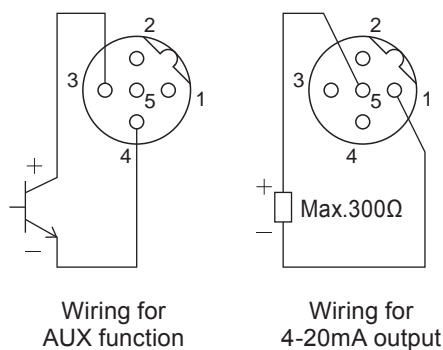
Pay attention to polarity. AUX (3) is plus (+), and COM (4) is minus (-).

### **When using a no-voltage contact (for AUX IN):**

Use a mechanical relay designed for an electronic circuit. Its minimum application load should be 5mA or less.

### **When using analogue output:**

Pay attention to polarity. The 0-20mA (1) is minus (-) and 0-20mA (5) is plus (+). The max load resistance is 300Ω.



- 1 : 0-20mA (Brown)
- 2 : N.C. (White)
- 3 : AUX (Blue)
- 4 : COM (Black)
- 5 : 0-20mA (Green)

\*Each wire is coloured as above for our optional cable.

## ■ Alarm OUT (DIN connector)

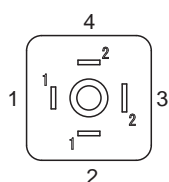
To transmit the signal to an external device, connect signal wires to the OUT terminal via the DIN 4-pin connection.

**Alarm OUT 1 (OUT 1) <Mechanical relay>: Enable or disable the alarm outputs of batch completion, STOP, Pre-STOP, interlock, motor overload (/drive error) and leak detection individually.**

\*Leak detection only is enabled at factory default setting.

**Alarm OUT 2 (OUT 2) <PhotoMOS relay>: Enable or disable the alarm outputs of the volume proportional pulse, batch completion, STOP, Pre-STOP, interlock, motor overload (/drive error) and leak detection individually.**

\*Interlock only is enabled at factory default setting.

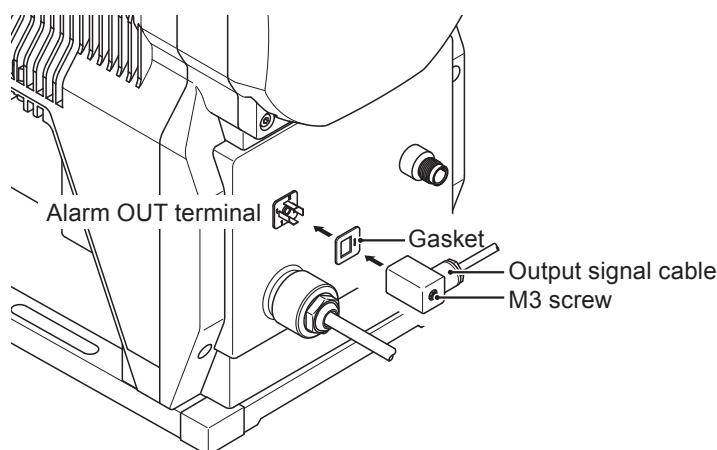


- 1 : Alarm OUT 1 (White)
- 2 : Alarm OUT 1 (Brown)
- 3 : Alarm OUT 2 (Black)
- 4 : Alarm OUT 2 (Blue)

\*Each wire is coloured as above for our optional cable.

### **Mounting direction of the output signal cable**

Mount the DIN square connector cable in the following direction and secure it with a M3 screw.



# Operation

*This section describes pump operation and programming. Run the pump after pipework and wiring are completed.*

## Before operation

*First check piping and wiring are correct. And then make commissioning before starting operation.*

### **Points to be checked**

---

*Before operation, check if:*

- Liquid level in a supply tank is enough.
- Piping is securely connected and is free from leakage and clogging.
- Discharge/suction valves are opened.
- Power voltage range is correct.
- Electrical wiring is correct and is free from the risk of short circuit and electrical leakage.

### **Retightening of pump head fixing bolts**

---

#### **Important**

The pump head fixing bolts may loosen when plastic parts creep due to temperature change in storage or in transit. This can lead to leakage. Be sure to retighten the bolts evenly to the specified tightening torque below in diagonal order before starting operation.

#### **Tightening torque**

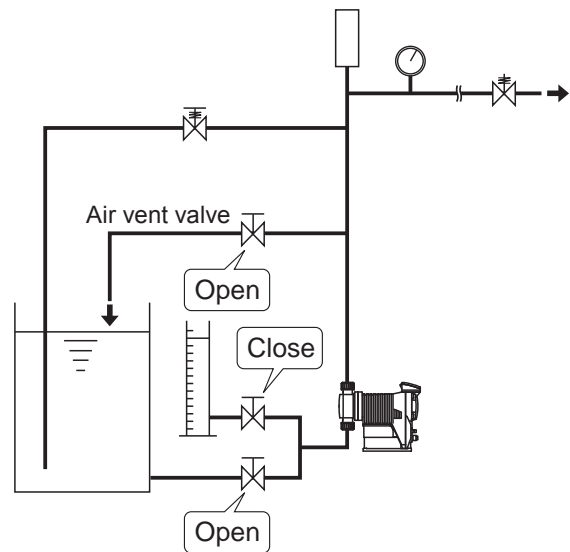
Model code	Torque	Bolts	Number of bolts
IX-D150/-D300	12 N•m	M8 hexagon head bolt	6

\*Tighten fixing bolts once every three months.

## Commissioning

Always make commissioning when first mounting the pump in your system or resuming operation after a long period of stoppage.

- 1 Open an air vent and a suction line.  
Do not open a calibration line if any.



- 2 Supply the rated power voltage to the pump.
- 3 Start the pump at a low flow rate and gradually increase it to a target rate.  
Continue operation for 10 minutes and check the pump and pipework for any abnormality.
- 4 Close an air vent line to introduce liquid to a main line.

## Before a long period of stoppage (One month or more)

Clean wet ends and the inside of piping.

- Run the pump with clean water for about 30 minutes to rinse chemicals off.

Before unplugging the pump

- Always stop the pump by key operation and wait for three seconds before unplugging the pump. Otherwise, the last key operation may not be put in memory. In this case the pump unintentionally starts to run as powered on, discharging liquid.

When the pump does not transfer liquid at resuming operation.

- Clean the valve sets and remove foreign matters.
- If air is in the pump head, expel air through the above commissioning procedure.

## Perform a calibration

Periodically make calibration to monitor an accurate flow through control display. The pump is calibrated by pumping clean water at the maximum operating pressure before shipping (in the absence of a designation by a user), however, make calibration again in an actual operating condition as necessary. Follow the calibration process on the next page.

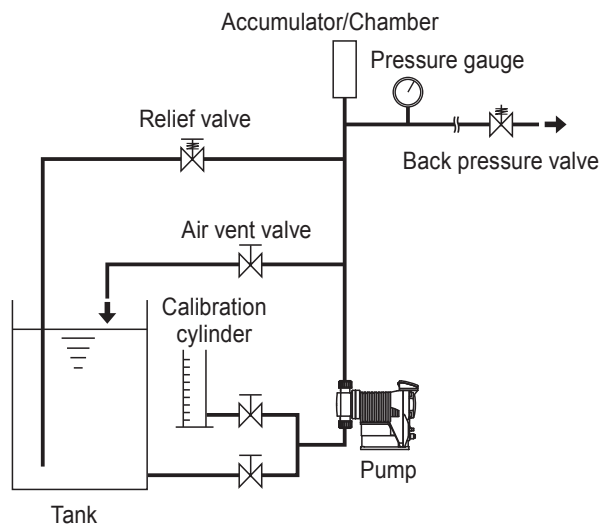
### NOTE

The flow rate shown on the screen is a calculated value based on calibration and is not an actual flow rate.

Calibration is made to determine liquid volume per shot. Arrange your piping system according to the guide below to ensure the calibration is made correctly.

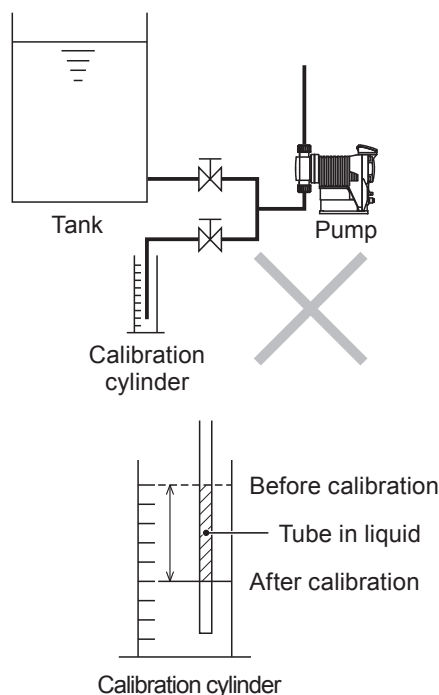
### Suggested piping layout

Use a calibration cylinder connected to a suction line.



### Bad example

Do not immerse a calibration tube in liquid level in a calibration cylinder. Otherwise, tube volume is added to the liquid volume to be measured, and calibration will be upset.

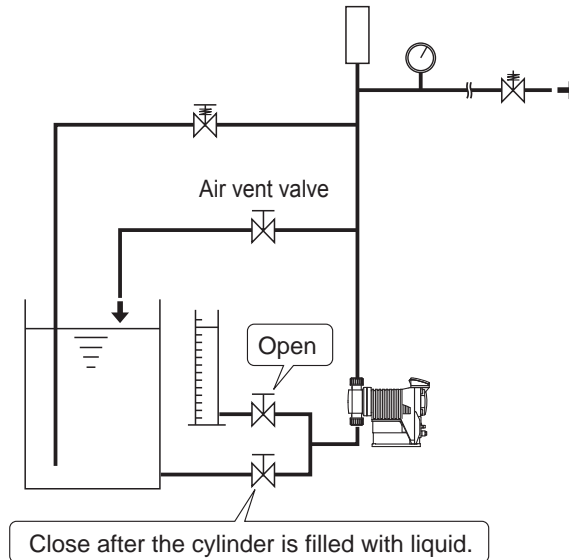


## Calibration process

Obtain accurate flow volume per shot (e.g. about 16ml/shot for the D150 type, about 32ml/shot for the D300 type) by dividing the delivered liquid volume by the number of strokes.

### 1 Fill a calibration cylinder with liquid.

Open a calibration line to lead liquid from a supply tank to a calibration cylinder. And then close the suction line and measure liquid volume in the cylinder.



### 2 Supply the rated power voltage to the pump and programme a flow rate in the manual mode.

See page 13 for detail.

#### NOTE

The calibration accuracy won't change at any flow rate. The higher the flow rate is, the shorter time it takes, and vice versa.

### 3 Select the calibration mode through the menu screen.

See page 44 for detail.

### 4 Calibration operation programming

Set a waiting time and the number of strokes. The number of strokes should be determined depending on how much liquid remains in the calibration cylinder.

Waiting time to start calibration operation : 10(default)-999s

Number of strokes : 60(default)-120ST

```

Wait Time: 10s
# Strokes: 60ST
    
```

Use UP and DOWN keys to set a waiting time.



```

Wait Time: 20s
# Strokes: 60ST
    
```

Use UP and DOWN keys to set the number of strokes.

5 Start calibration operation.

```
Wait Time: 20s
# Strokes: 100ST
```

```
20
:
19
:
18
:
17
```

Push the Enter key after setting the number of strokes. The pump starts the countdown.



```
Wait Time: 0s
# Strokes: 100ST
```

```
Pump
starts
```

The pump starts to run for the set number of strokes as it comes to zero.



```
Wait Time: 0s
# Strokes: 99ST
```

```
99
:
98
:
97
```



```
Wait Time: 0s
# Strokes: 0ST
```

```
Pump
stops
```

6 Measure liquid volume in the calibration cylinder again.

7 Enter how much liquid has reduced.

```
Enter Volume:
0 mL
```

Use the UP and DOWN keys to set the volume reduction.



```
Enter Volume:
1875 mL
```

Push the Enter key once. The screen shows flow volume per shot.



```
Volume/Stroke:
31.25 mL
```

The screen shows "ERROR! Volume Out Of Range!!" if the reduction is too little or too large. Enter correct liquid volume or recalibrate it.



```
MAIN MENU:
← Calibration →
```

NOTE \_\_\_\_\_  
Calibration with high viscosity liquid at a full suction speed will often give rise to this error. Reduce a suction speed along with viscosity.



```
SELECT OPERATION
MAN← →EXT(ANA.P)
```

Push the ESC key to return to the wait mode.

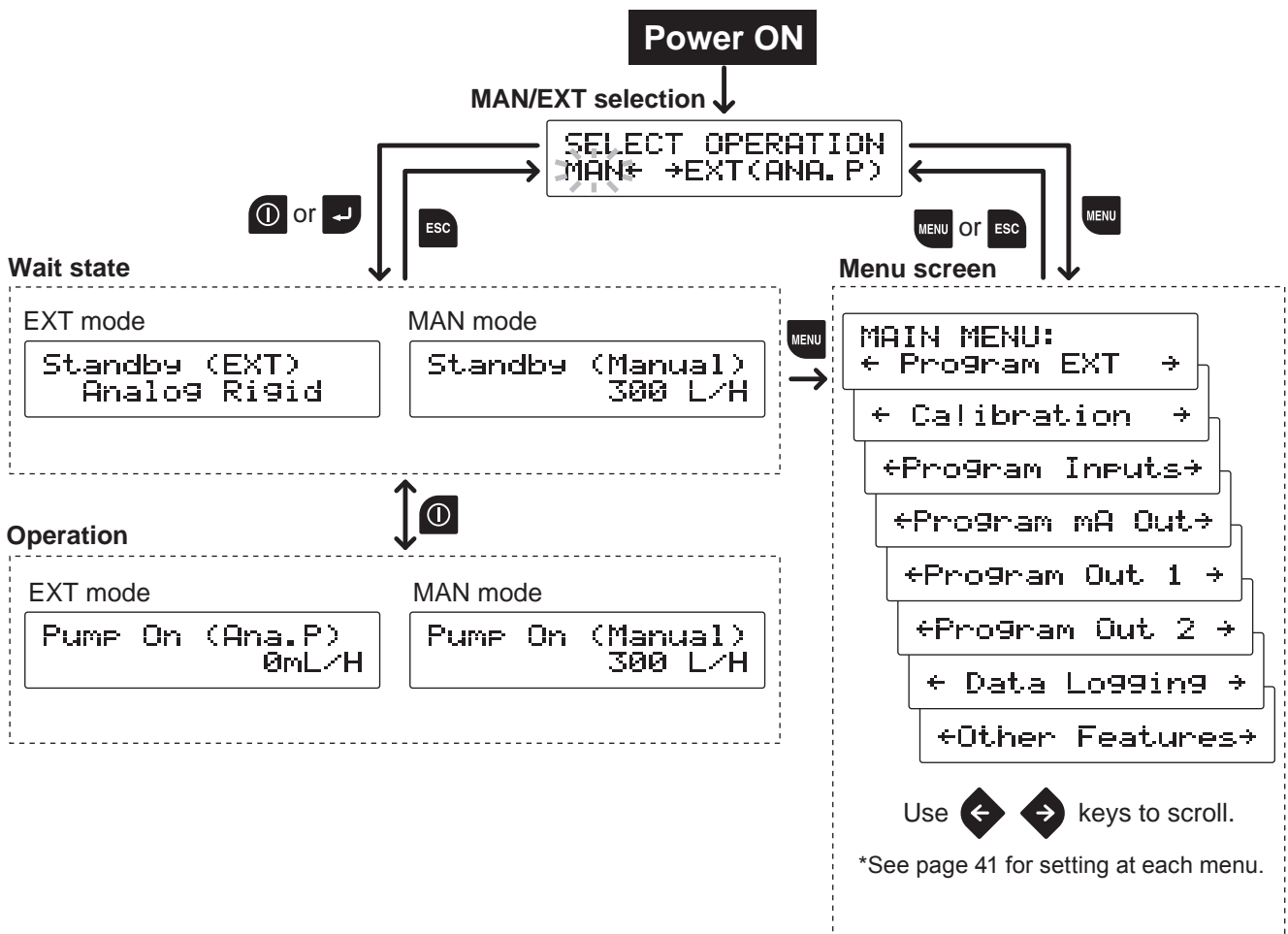
## Operation programming

The setting is made with the controller. The pump behaviour differs with each control mode.

Menu	Control mode/Function	Parameter		Default
Mode selection	-	MAN/EXT		MAN
External control	Analog preset control	0 - 20mA/ 4 - 20mA/ 20 - 0mA/ 20 - 4mA		4-20mA
	Analog variable control	SP1 current	0.0 - 20.0mA	4.0mA
			SP1 flow rate	0mL/H - 150L/H (D150)
		SP2 current		0.0 - 20.0mA
			SP2 flow rate	0mL/H - 150L/H (D150)
	Pulse control*	0.01562mL/PLS - 300mL/PLS (D150)		0.01562mL/PLS
			0.03125mL/PLS - 120mL/PLS (D300)	0.03125mL/PLS
	Batch control*	15.62mL/PLS - 300L/PLS (D150)	15.62mL/PLS	
		31.25mL/PLS - 600L/PLS (D300)	31.25mL/PLS	
	Interval batch control*	0 - 9day, 0 - 23Hr, 1 - 59min	0D : 0H : 1M	
		15.62mL - 300L/PLS (D150)	15.62mL/PLS	
		31.25mL - 600L/PLS (D300)	31.25mL/PLS	
Profibus control	Address : 1 - 126		50	
Signal input	STOP	Closed = Pump OFF/ Closed = Pump ON		Closed = Pump OFF
	PreSTOP	Closed = Pump OFF/ Closed = Pump ON		Closed = Pump OFF
	Interlock	Closed = Pump OFF/ Closed = Pump ON		Closed = Pump OFF
	Leak detection	Enable/ Disable		Enable
Alarm	OUT 1	Batch Complete/ STOP/ Pre-STOP/ Interlock/ Leak Detection/ Motor Overload/ Drive Error		Leak Detection: Enable Other alarms: Disable
	OUT 2	Volume Prop. PLS/ Batch Complete/ STOP/ Pre-STOP/ Interlock/ Leak Detection/ Motor Overload/ Drive Error		Interlock: Enable Other alarms: Disable
Analogue output	SP1 current	0.0 - 20.0mA	4.0mA	
		SP1 flow rate	0mL/H - 150L/H (D150)	0mL/H
	SP2 current		0.0 - 20.0mA	20.0mA
		SP2 flow rate	0mL/H - 150L/H (D150)	150L/H
	0mL/H - 300L/H (D300)		300L/H	
Others	Suction speed	100%/ 75%/ 50%/ 25%		100%
	Maximum flow rate	200mL/H - 150L/H (D150)		150L/H
		400mL/H - 300L/H (D300)		300L/H
	AUX speed	200mL/H - 150L/H (D150)		150L/H
		400mL/H - 300L/H (D300)		300L/H
	Diaphragm position	MAX OUT Pos./ MAX IN Pos.		MAX OUT Pos.
	Buffer	Enable/ Disable		Disable
	Anti-Chattering	1msec/ 2msec/ 5msec		5msec
	Output logic (OUT 1)	Normally Open/ Normally Close		Normally Open
	Output logic (OUT 2)	Normally Open/ Normally Close		Normally Open
	Unit	Litter/ US gallon		Litter
Keypad lock	00000 - 99999		00000	
Language	English/Dutch/French/Danish/Spanish/German		English	

\*For these control modes, the calibrated flow volume per shot is applied to the minimum settable flow volume.

# Programming flow



\*To revert back to the default setting with the pump calibrated, turn on power while pressing the ESC key.



## Menu screen

Push the MENU key in the MAN/EXT selection mode and call up the menu screen. Use the right and left keys to scroll through each menu item and then push the Enter key to make a selection. Pushing the MENU key again or ESC key in the menu screen, the previous mode will be recalled.

```
MAIN MENU:  
← Program EXT →
```

### EXT mode selection

The pump can run in four different operating modes of Analogue, Pulse, Batch and Interval Batch for the external signal. See page 14-18 and 42 for detail.

```
MAIN MENU:  
← Calibration →
```

### Calibration

Calibrate the pump to obtain a correct flow rate on the screen. See page 37 and 44.

```
MAIN MENU:  
←Program Inputs→
```

### Signal input setting

Program STOP, Pre-STOP, Interlock functions and diaphragm rupture detection. See page 18-21, 45 and 46.

```
MAIN MENU:  
←Program mA Out→
```

### Analog output setting

Set the output current at SP1 and 2 flow rates to configure the analog signal output behaviour. See page 46.

```
MAIN MENU:  
←Program Out 1 →
```

### Alarm output setting (OUT 1)

Enable or disable the output of the batch completion, STOP, Pre-STOP, interlock, diaphragm rupture detection, overload/failed speed detection, and/or drive error detection functions. See page 21 and 47.

```
MAIN MENU:  
←Program Out 2 →
```

### Alarm output setting (OUT 2)

Enable or disable the output of the batch completion, STOP, Pre-STOP, interlock, diaphragm rupture detection, overload/failed speed detection, drive error detection, and/or volume proportional pulse functions. See page 21 and 49.

```
MAIN MENU:  
← Data Logging →
```

### Data logging

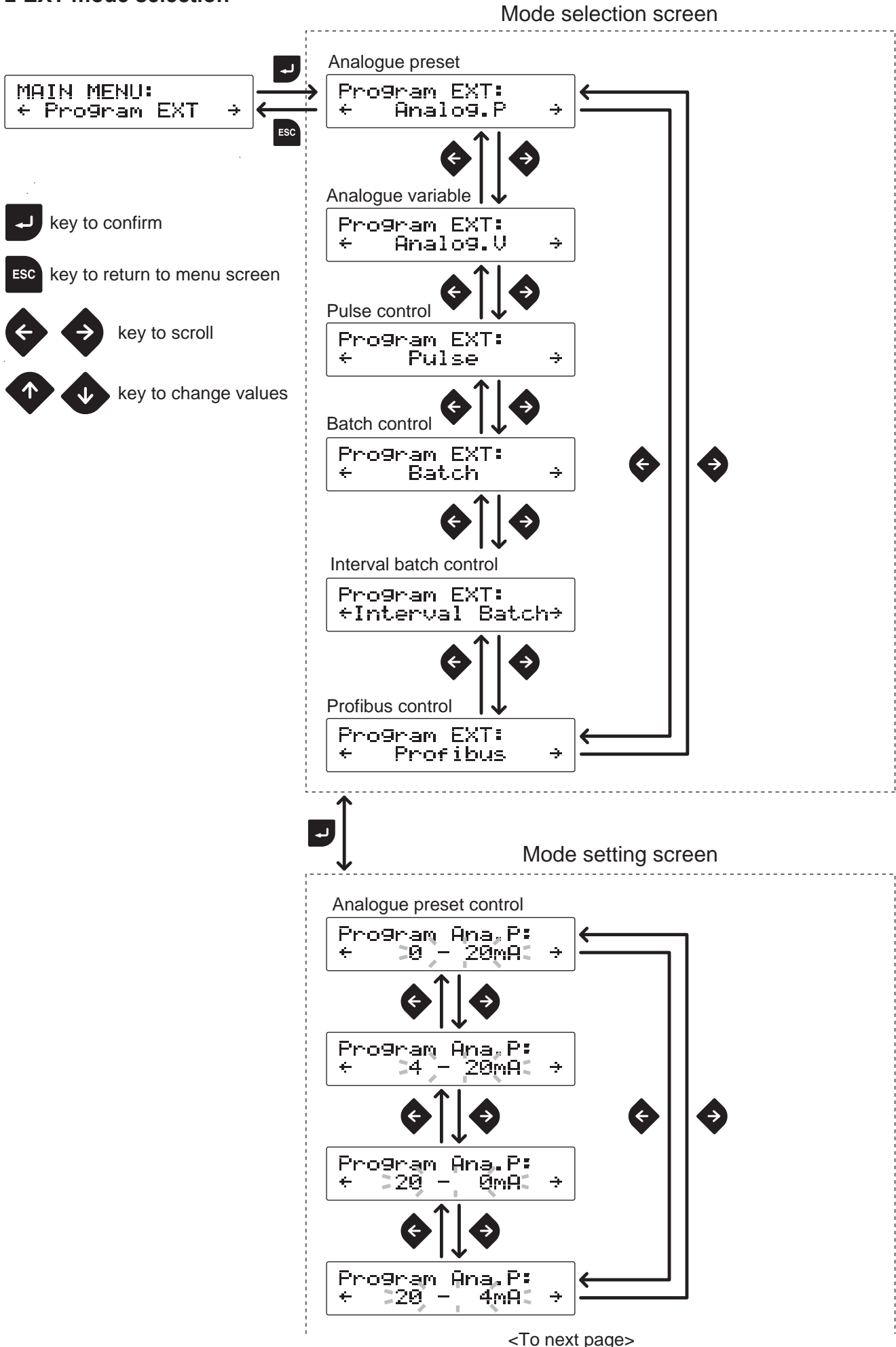
The pump can display operating time, total flow volume, power-on time, the number of ON/OFF and software version. See page 50.

```
MAIN MENU:  
←Other Features→
```

### Programming of other functions

Program a suction speed, a max flow rate, an AUX speed, a diaphragm position, an anti-chattering time, butter ON/OFF, output logics, a flow rate unit and your language or so. See page 21, 51, 52 and 53.

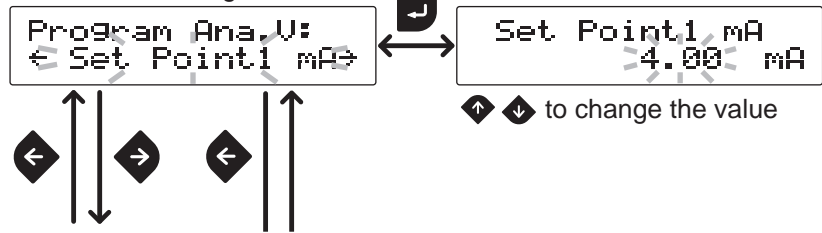
■ EXT mode selection



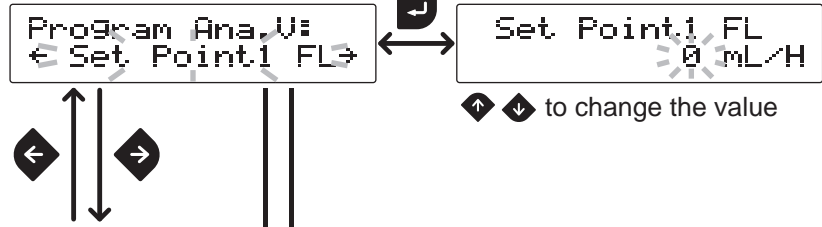
<To next page>

## Analogue variable control

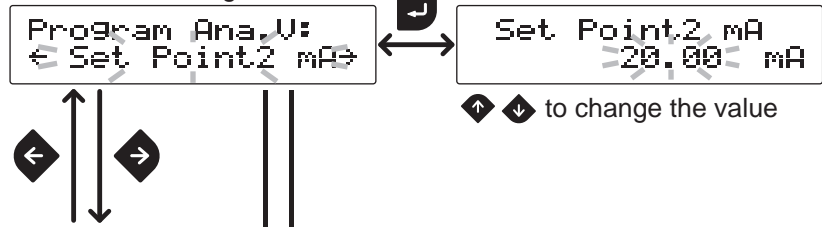
### SP1 current setting



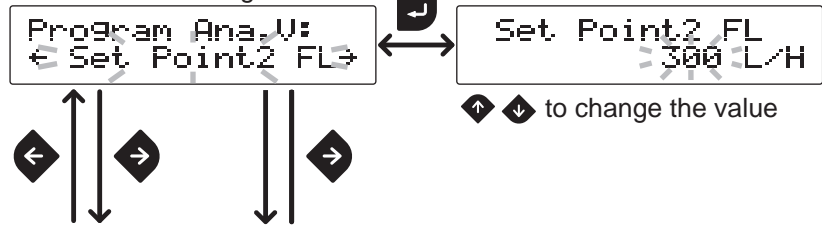
### SP1 flow rate setting



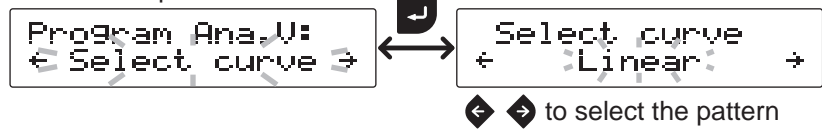
### SP2 current setting



### SP2 flow rate setting



### Behavioural pattern selection



### Pulse control

Program Pulse:  
0.03125 mL/PLS

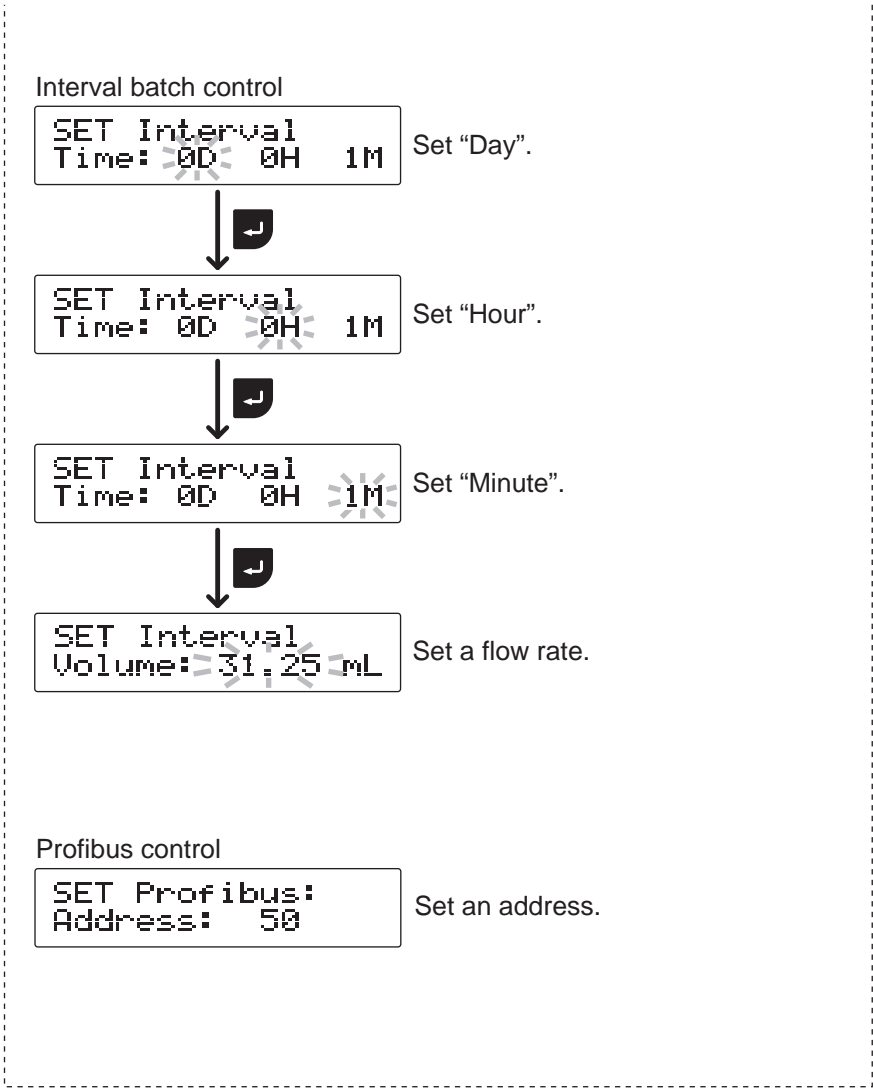
Set flow volume per pulse.

### Batch control

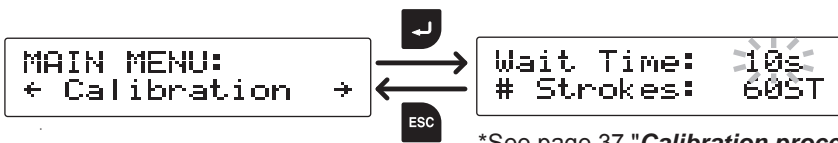
Program Batch:  
31.25 mL/PLS

Set flow volume per pulse.


<To next page>




## ■ Calibration





\*See page 37 "**Calibration process**" for detail.

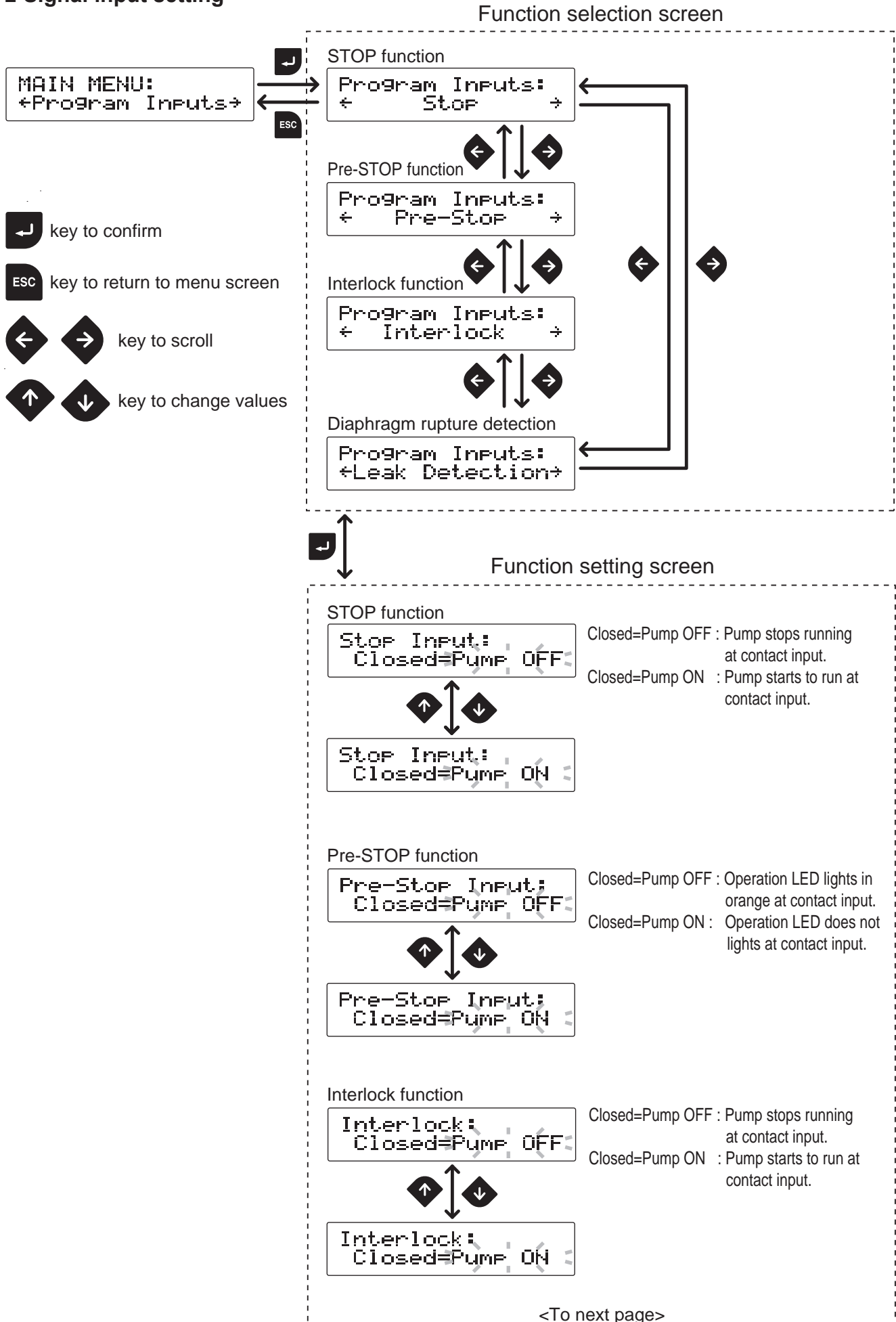
 key to confirm

 key to return to menu screen

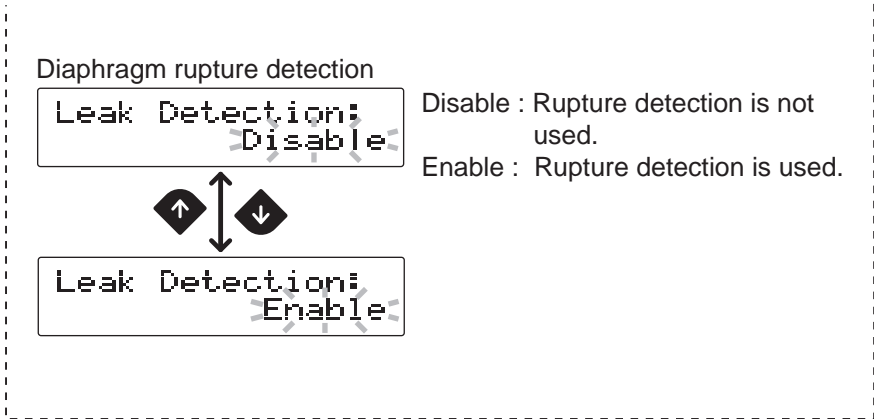
  key to select

  key to change values

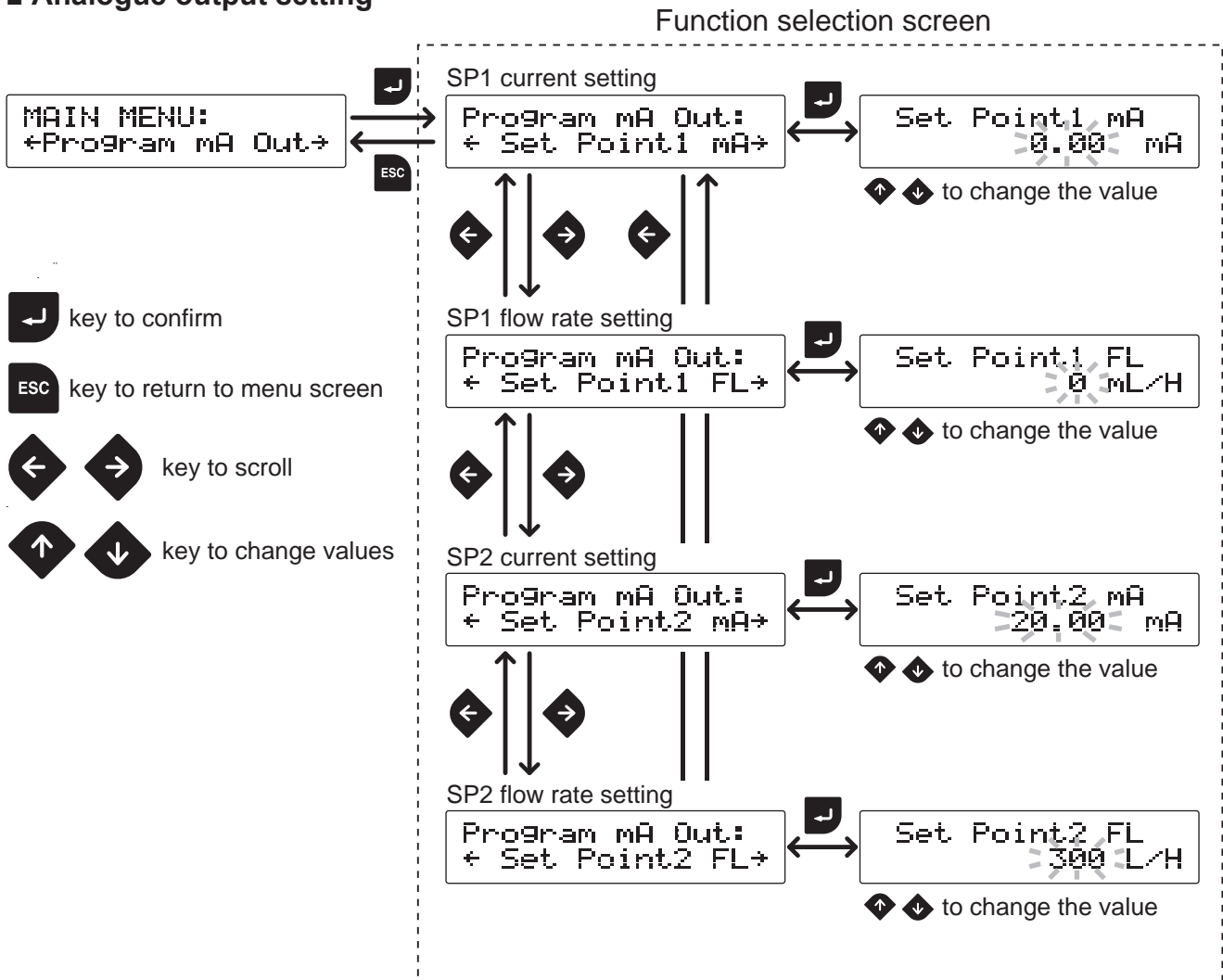
## ■ Signal input setting



<To next page>

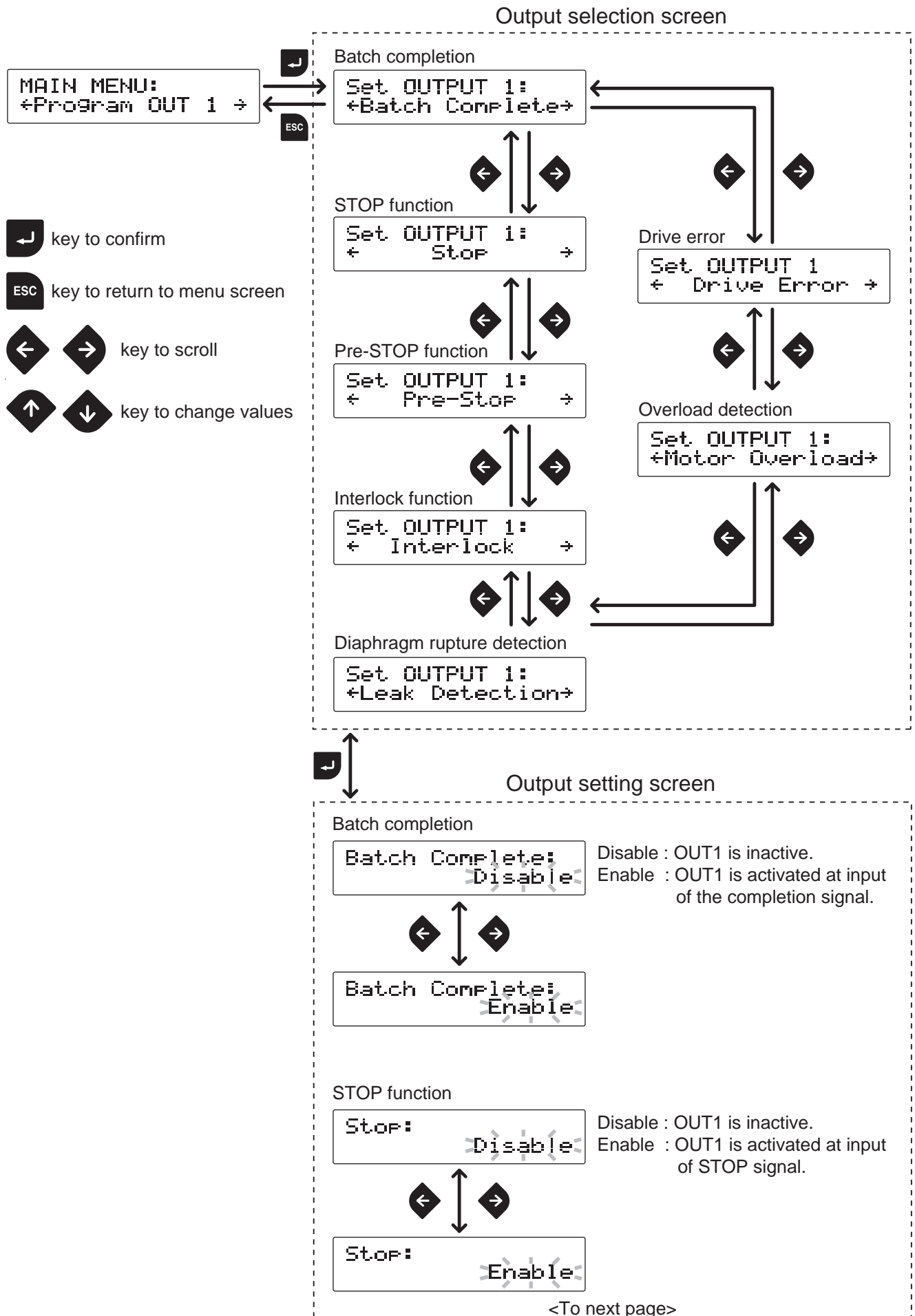


### ■ Analogue output setting



- key to confirm
- key to return to menu screen
- key to scroll
- key to change values

■ Alarm output setting (OUT 1) <Mechanical relay>



Pre-STOP function

Pre-Stop: Disable

Disable : OUT1 is inactive.  
Enable : OUT1 is activated at input of Pre-STOP signal.



Pre-Stop: Enable

Interlock function

Interlock: Disable

Disable : OUT1 is inactive.  
Enable : OUT1 is activated at input of interlock signal.



Interlock: Enable

Diaphragm rupture detection

Leak Detection: Disable

Disable : OUT1 is inactive.  
Enable : OUT1 is activated at input of the detection signal.



Leak Detection: Enable

Overload/Failed speed detection

Motor Overload: Disable

Disable : OUT1 is inactive.  
Enable : OUT1 is activated at input of the detection signal.



Motor Overload: Enable

Drive error detection

Drive Error: Disable

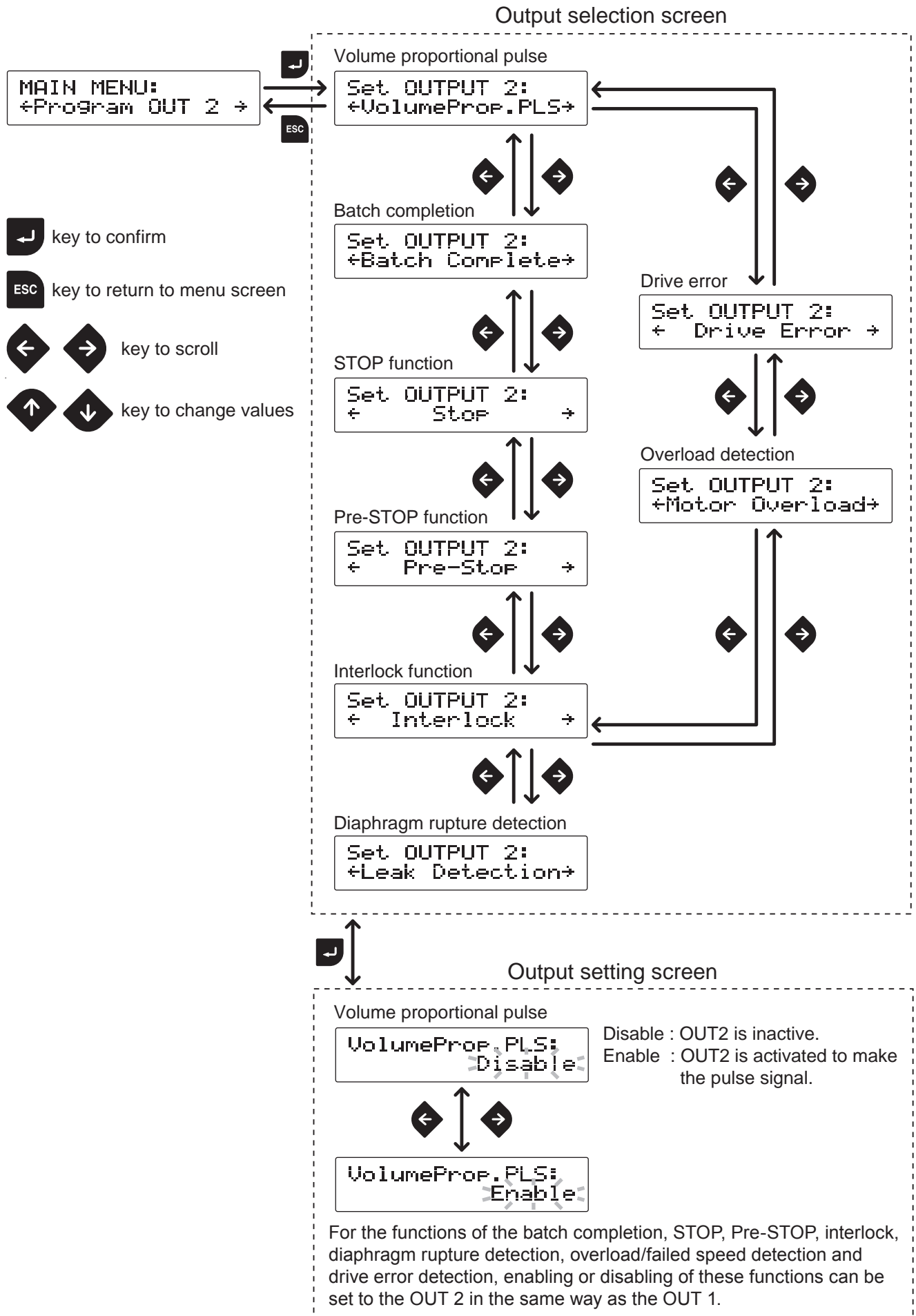
Disable : OUT1 is inactive.  
Enable : OUT1 is activated at input of the detection signal.



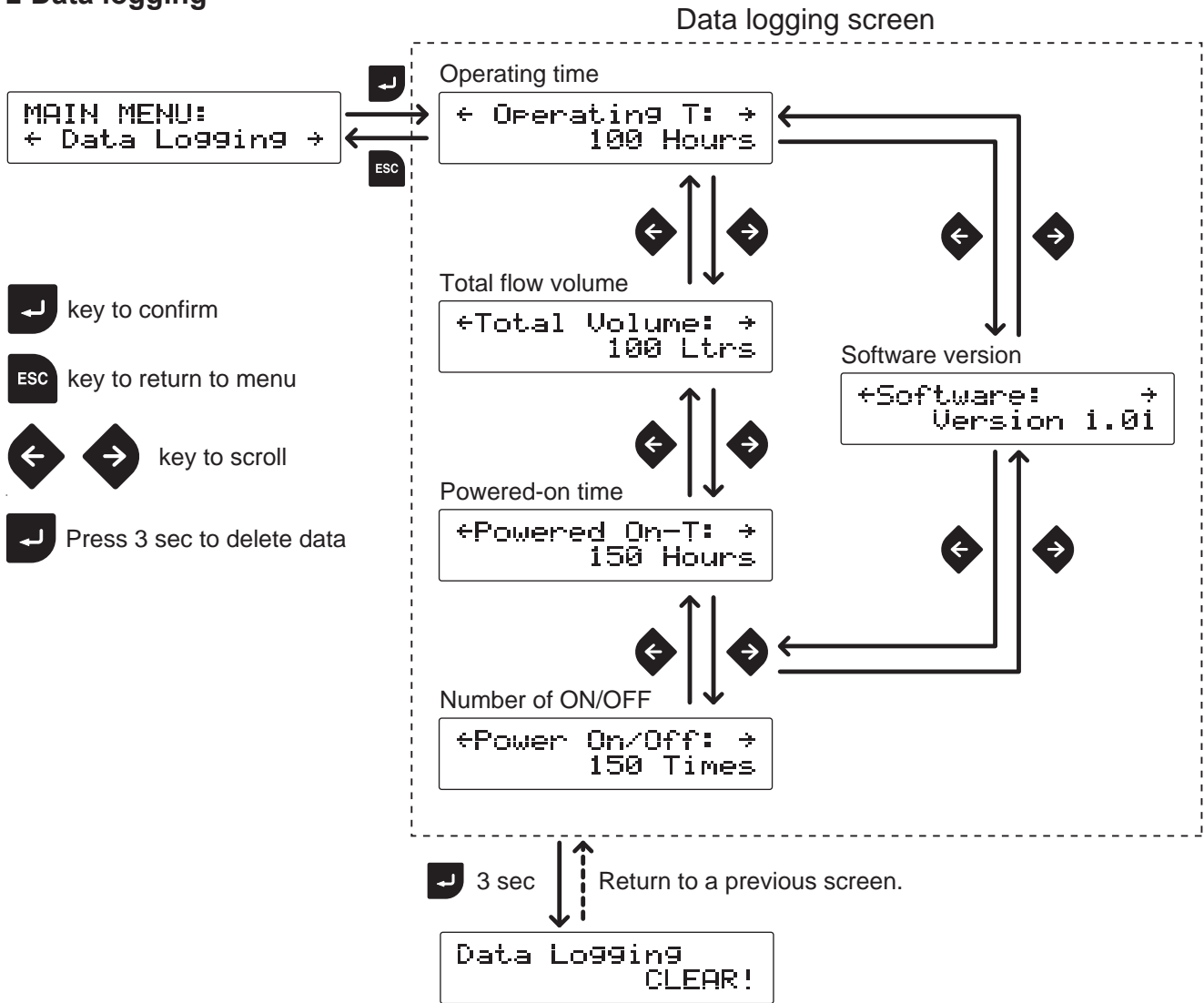
Drive Error: Enable



■ Alarm output setting (OUT 2) <PhotoMOS relay>



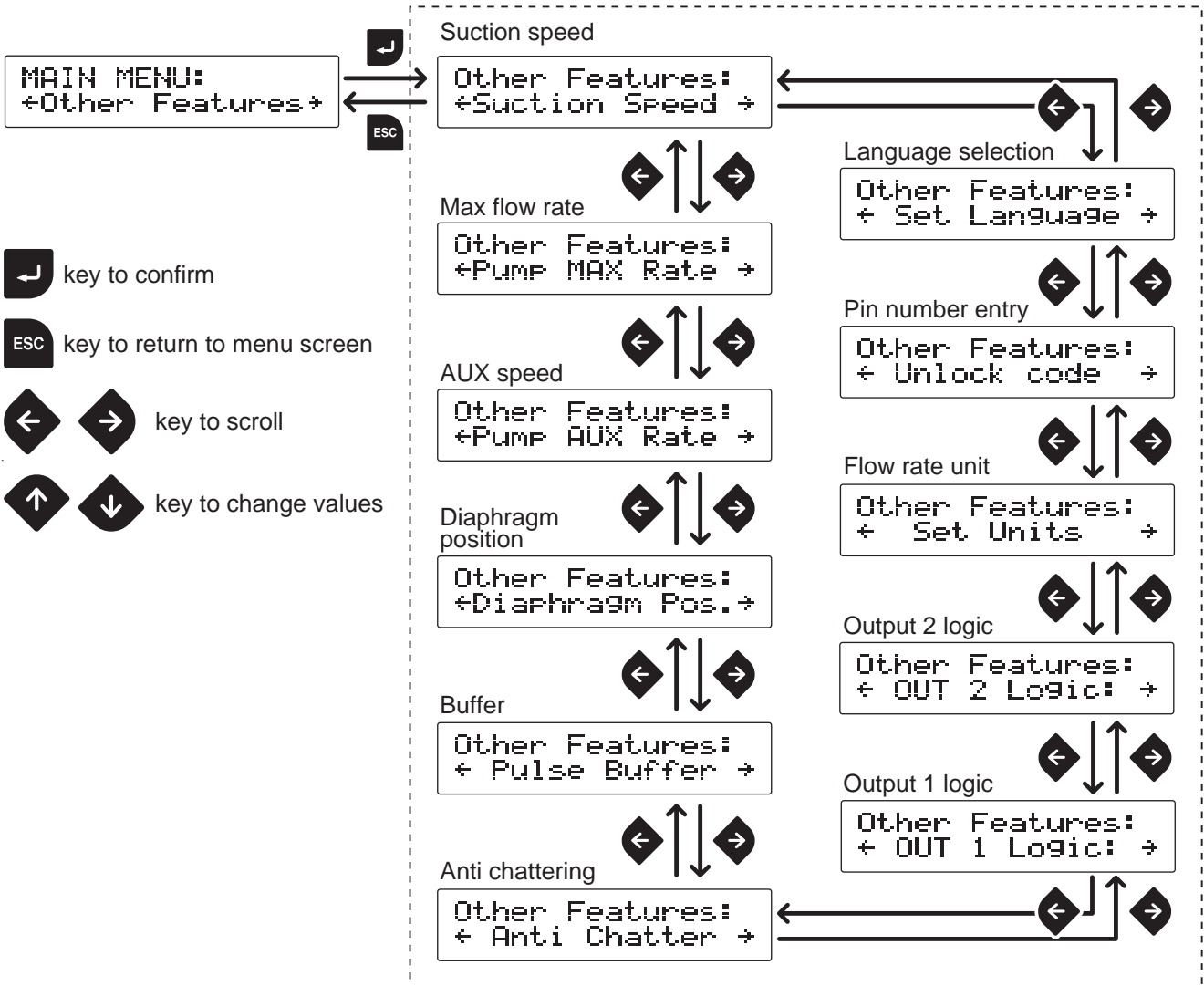
## ■ Data logging



\*A selected data will be cleared except the version information.

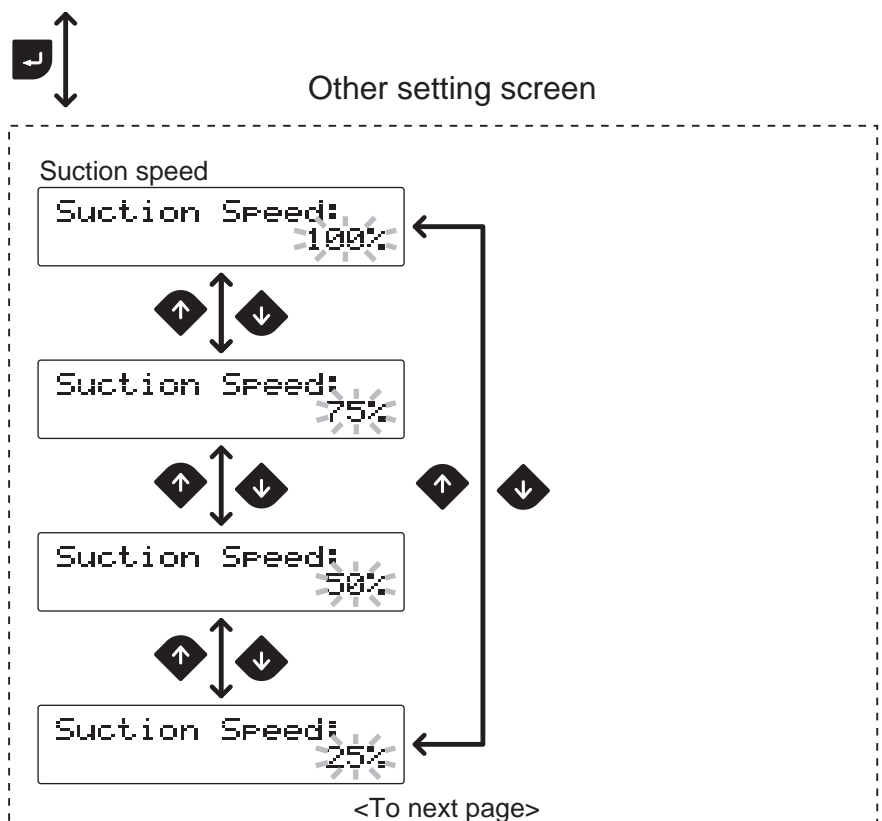
## ■ Programming of other functions

### Other selection screen



- key to confirm
- key to return to menu screen
- key to scroll
- key to change values

### Other setting screen



<To next page>

Max flow rate

Pump MAX Rate:  
300 L/H

Set a flow rate.

AUX speed

Pump AUX Rate:  
50,0 L/H

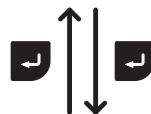
Set a flow rate.

Diaphragm position

Diaphragm Pos.:  
← MAX OUT Pos. →



Diaphragm Pos.:  
← MAX IN Pos. →



Diaphragm Pos.:  
MAX OUT Pos.

Diaphragm Pos.:  
MAX IN Pos.

MAX OUT Pos. : The diaphragm comes to the top dead point.

MAX IN Pos. : The diaphragm comes to the bottom dead point.

\*Either one of the above indication keeps flashing as long as the diaphragm is at either end. See page 63 for diaphragm replacement.

Buffer

Pulse Buffer:  
Disable

Disable : Buffer OFF

Enable : Buffer ON



Pulse Buffer:  
Enable

Anti chattering

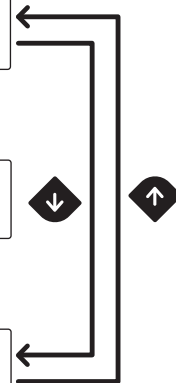
Anti Chatter:  
5 msec



Anti Chatter:  
1 msec



Anti Chatter:  
2 msec



<To next page>

Output 1 logic

OUT 1 Logic:  
Normally open

Set the output 2 logic as necessary.



OUT 1 Logic:  
Normally close

Flow rate unit

Set Units:  
Liter



Set Units:  
US Gallon

Pin number entry

Unlock code:  
00000

- key to change values
- key to move through each digit
- key to confirm

Language selection

Set Language:  
English



Set Language:  
Dutch



Set Language:  
French



Set Language:  
Danish



Set Language:  
Spanish



Set Language:  
German



# Operation

Read this section before operation.

## Manual operation

Run or stop the pump by keypad operation.

- 1 Supply the rated power voltage to the pump.  
The operation LED lights in red colour, and a previous mode at the last shutoff returns.  
\*The pump enters the MAN/EXT selection mode when turning on power with a default setting.

- 2 Push the ESC key to enter the MAN/EXT selection mode.  
Push the start/stop key to stop operation if the IX is running in the previous mode.

```
SELECT OPERATION
MAN ← → EXT (ANA.P)
```

- 3 Push the left key to select "MAN" and the Enter key to enter that choice.  
The pump enters a waiting state. Use the UP and DOWN keys to set the flow rate.

```
Standby (Manual)
      300 L/H
```

- 4 Push the start/stop key to start operation.  
The operation LED lights in green colour during operation.

```
PUMP On (Manual)
      300 L/H
```

## EXT operation

The pump operation is controlled by the external signal.

- 1 Supply the rated power voltage to the pump.  
The operation LED lights in red colour, and a previous mode at the last shutoff returns.  
\*The pump enters the MAN/EXT selection mode when turning on power with a default setting.

- 2 Push the ESC key to enter MAN/EXT selection mode.  
Push the start/stop key to stop operation if the IX is running in the previous mode.

```
SELECT OPERATION
MAN ← → EXT (ANA.P)
```

- 3 Push the right key to select "EXT" and the Enter key to enter that choice.

```
SELECT OPERATION
MAN← →EXT(ANA.P)←
```



```
Standby (EXT)
Analog Preset
```

Waiting state display

\*The pump enters the analogue preset, analogue variable, pulse, batch or interval batch mode.

- 4 Push the start/stop key to start operation. The pump runs along with operation programming and the external signal. Pushing the same key again stops operation. In the analogue variable control mode, the current value will show up when the → key is pushed. Push the ← key to return.

```
PUMP On (Ana.P)
      0 mL/H
```

The operation LED turns green during operation.

## AUX function

Operation at an AUX speed starts while receiving the external signal via the AUX terminal when the IX is running in manual mode or EXT mode. Set an AUX speed before operation. See page 51 for detail.

## Priming function

This key operation runs the pump at the maximum stroke rate in operation.

- 1 Press and hold both the UP and DOWN keys.

The pump runs at the maximum stroke rate while both the keys are pressed.

\*This function is available at any time except when the MAN/EXT selection or the menu screen is opened.

```
PRIMING OVERRIDE
      @ 300 L/H
```

## Keypad lock

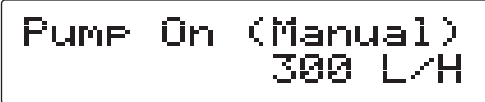
Keypad lock can be active for the prevention of erroneous key operation.

### NOTE

- Any key operation is not effective when keypads are locked. In an emergency, however, pressing the start/stop key for two seconds, the pump enters a wait state and stops running. Enter the PIN number to release this state before resuming operation.
- This function is available at any time except when the menu screen is opened.

### ■ Keypad lock activation

- 1 Press and hold both the right and left keys for 3 seconds.



Pump On (Manual)  
300 L/H



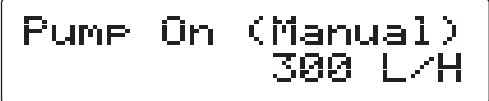
KEY LOCKED!

"KEY LOCKED!" appears on the screen for one second.

\*This indication comes up every time any key is pushed.

### ■ Keypad lock release

- 1 Push the ESC key.





Pump On (Manual)  
300 L/H

- 2 Enter the PIN number.



UNLOCKED CODE?  
0 0 0 0 0

  key to change value

  key to move through each digit



KEY UNLOCKED!

### ■ Emergency stop

- 1 Press and hold the start/stop key for 2 seconds to stop the pump.  
Release the keypad lock mode to resume operation.



# Maintenance

*This section describes troubleshooting, maintenance, wear part replacement, exploded views and specifications.*

## **!** Points to be observed

Observe the following points during maintenance work:

- Observe instructions in this manual for maintenance, inspection, dismantlement and assembly. Do not dismantle the pump beyond the extent of the instructions.
- Always wear protective clothing such as an eye protection, chemical resistant gloves, a mask and a face shield during disassembly, assembly or maintenance work. The specific solution will dictate the degree of protection. Refer to MSDS precautions from the solution supplier.
- Risk of electrical shock. Be sure to turn off power to stop the pump and related devices before service is performed.

## **Before unplugging the pump:**

Always stop the pump by key operation and wait for three seconds, especially when disconnecting the pump from a piping system. Otherwise, the stop command may not be saved, and the pump may unintentionally start to run and deliver fluid into an imperfect piping system as it is powered on once again.

## NOTE

- It's not the manufacture's responsibility for any failure due to corrosion or erosion occurred in your operating condition.
- When repair is needed to our pumps, contact us or the manufacturer of the machine in which our product is built.
- Be sure to drain chemicals and flush the inside of the pump before return. Or harmful chemicals may spill out in transit.

# Troubleshooting

First check the following points. If the following measures do not help remove problems, contact your nearest distributor.

## ■ Pump

States	Possible causes	Solutions
The pump does not run (the operation LED does not light or the screen is blank.).	Power voltage is too low.	• Observe the allowable voltage range of 90-264VAC.
	The pump is not powered.	• Check the pump is switched on. • Correct wiring. • Replace a breaking wire to new one.
Liquid can not be pumped up.	Air lock in the pump	• Expel air. See page 35.
	Air ingress through a suction line	• Check for the ingress point and fix/re-route the suction line as necessary.
	An O ring is not fitted to a valve set.	• Fit O ring to the valve set.
	Foreign matters are stuck in the pump head valves.	• Dismantle, inspect and clean the valves. Replace as necessary.
	A ball valve is stuck on a valve seat.	• Dismantle, inspect and clean the valve. Replace as necessary.
A flow rate fluctuates.	A valve seat has been pressed in the valve guide.	• Do not push the valve seat into the valve guide. See page 62.
	Air trapped in the pump head.	• Expel air. See page 35.
	Overfeeding occurs.	• Mount a back pressure valve to keep the discharge line pressure constant.
	Foreign matters are stuck in the pump head valves.	• Dismantle, inspect and clean the valves. Replace as necessary.
	Diaphragm is broken.	• Replace the diaphragm. See page 63.
Liquid leaks.	Pressure fluctuates at an injection point.	• Maintain the pressure constant by optimizing piping or by relocating the injection point.
	A fitting is loose.	• Tighten the nut to fix the fitting.
	Loose fit of the pump head	• Retighten the pump head. See page 34.
	An O ring is not fitted to a valve set.	• Fit O ring to the valve set. See page 62.
	Diaphragm is broken. A leak from the drain port (vent hole)	• Replace the diaphragm. See page 63.

## Error messages

Take measures below when any of the error messages appears during operation. Contact us or your nearest distributor as necessary.

Error messages	Possible causes	Measures
MOTOR OVERLOAD! S/S Key = Clear	Pressure overload protection is active.	<ul style="list-style-type: none"> <li>Check a discharge line for clogging and remove it as necessary. If this error happens during the transfer of high viscosity liquid, make a discharge line I.D. wider and its length shorter.</li> </ul>
LEAK DETECTED! S/S Key = Clear	Diaphragm is broken.	<ul style="list-style-type: none"> <li>Replace the broken diaphragm with new one. See page 63 for detail.</li> </ul>
DRIVE ERROR! S/S Key = Clear	Failed rotation control is detected.	<ul style="list-style-type: none"> <li>If this error state is removed by pushing the start/stop key, a possible cause is an instantaneous surge of discharge line pressure. Inspect/solve the problem and then restart.</li> <li>If not, failure of a motor rotation detector is possible. Contact us or your nearest distributor.</li> </ul>

## Inspection

Perform daily and periodic inspection to keep the best pump performance and safety.

### Daily inspection

Check the following points. If you notice any abnormal or dangerous conditions, suspend operation immediately and inspect/solve problems. See the "Troubleshooting" section as necessary.

When wear parts come to the life limit, replace them with new ones. Contact your distributor for detail.

No.	States	Points to be checked	How to check
1	Pumping	• If liquid is pumped.	Flow meter, pressure gauge or visual inspection
		• If discharge pressure is normal.	Pressure gauge
		• If liquid is deteriorated, crystallized or settled.	Visual or audio inspection
2	Noise and vibration	• If abnormal noise or vibration occurs. They are signs of abnormal operation.	Visual or audio inspection
3	Air ingress from the pump head joints and the suction line	<ul style="list-style-type: none"> <li>If leakage occurs.</li> <li>If pumped liquid includes air bubbles, check lines for leakage and retighten as necessary.</li> </ul>	Visual or audio inspection

### Periodic inspection

Retighten the pump head mounting bolts evenly to the following torque in diagonal order.

\*Mounting bolts may loosen in operation. How fast the bolts start to loosen is depending on operating conditions.

#### Tightening torque

Model code	Torque	Bolts	Number of bolts
IX-D150/-D300	12 N•m	M8 hexagon head bolt	6

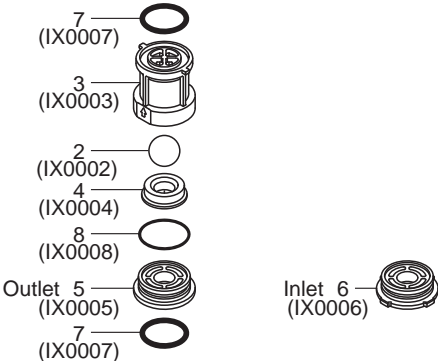
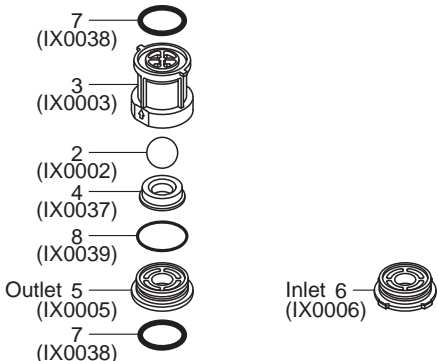
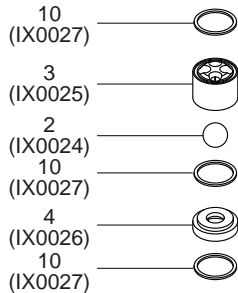
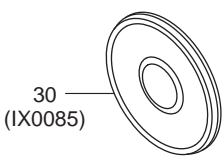
## Wear part replacement

To run the pump for a long period, wear parts need to be replaced periodically. It is recommended that the following parts are always stocked for immediate replacement. Contact your nearest distributor for detail.

### ! Precautions

- Solution in the discharge line may be under pressure. Release the pressure from the discharge line before disconnecting plumbing or disassembly of the pump to avoid solution spray.
- Rinse wet ends thoroughly with tap water.
- Every time the pump head is dismantled, replace the diaphragm and the valve sets with new ones.

### Wear part list

Pump head	Parts	# of parts	Estimated life
D150	Valve set (TC type) Outlet (IX0022) Inlet (IX0021) 	2 sets	8000 hours
	Valve set (TE type) Outlet (IX0034) Inlet (IX0033) 	2 sets	8000 hours
	Valve set (S6 type) IX0032 	2 sets	8000 hours
	Diaphragm 	1	4000 hours

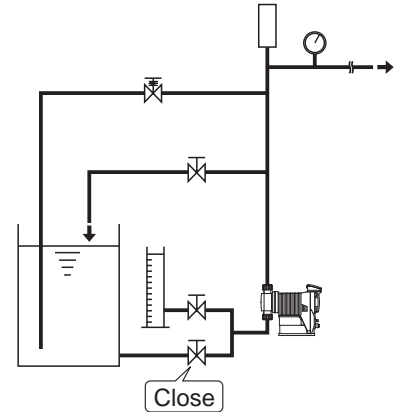
Pump head	Parts	# of parts	Estimated life	
D300	Valve set (TC type) Outlet (IX0096) Inlet (IX0095)		2 sets	8000 hours
	Valve set (TE type) Outlet (IX0098) Inlet (IX0097)		2 sets	8000 hours
	Valve set (S6 type) IX0103		2 sets	8000 hours
	Diaphragm		1	4000 hours

\*Wear part duration varies with the pressure, temperature and characteristics of liquid.  
 \*The estimated life is calculated based on pumping clean water at ambient temperature.  
 \*Parenthetic codes are selection codes

## Before replacement

1 Stop the pump operation.

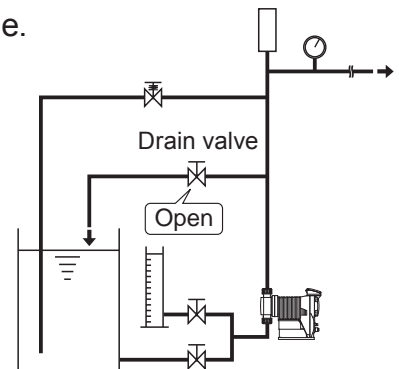
2 Close the suction line.



3 Open the drain valve to release liquid out of the discharge line.

### NOTE

Open the valve gradually. Chemicals may be purged if the discharge line pressure maintains the higher pressure than the atmospheric pressure.



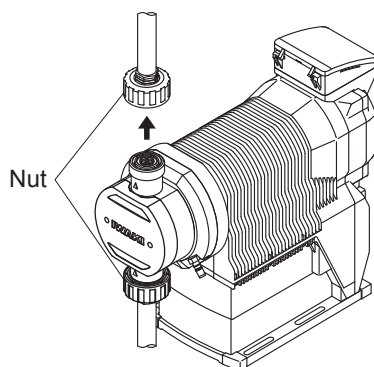
## Valve set replacement

1 Remove pipes from the pump.

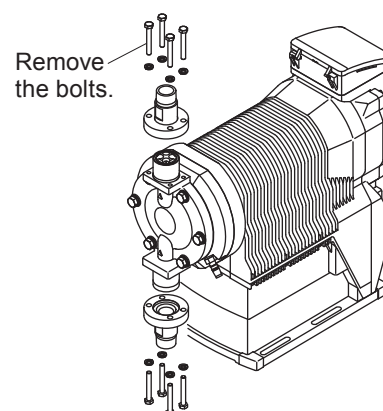
### NOTE

- Be careful not to get wet with residual chemicals in piping.
- Rinse chemicals or crystals off the parts as necessary.
- The valve set may come down as the suction pipe is removed. Take care not to drop it.

*IX-D150/-D300 TC/TE*

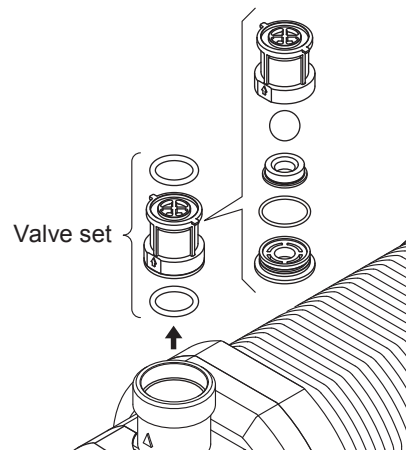


*IX-D150/-D300 S6*



- 2 Take out valve sets from the pump head and take them apart to replace worn parts as necessary.

Clean the pump head as necessary.

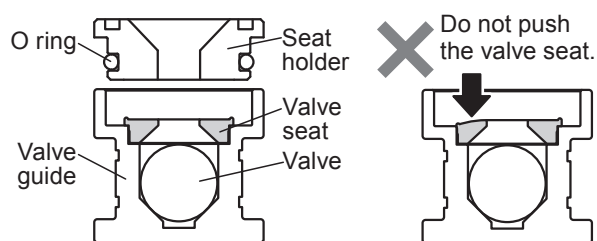


- 3 Reassemble and remount the valve sets in the pump head.

Observe the mounting order and direction of valve set components. See the exploded view at each model.

**NOTE**

- Observe the mounting direction of the valve set.
- The valve seat must be held in the valve guide by the seat holder when assembling an IX-D150/-D300 TC/TE valve set. Do not push the valve seat down into the valve guide. Otherwise, a leak may result.



- 4 Connect pipes and the pump.

## Diaphragm replacement

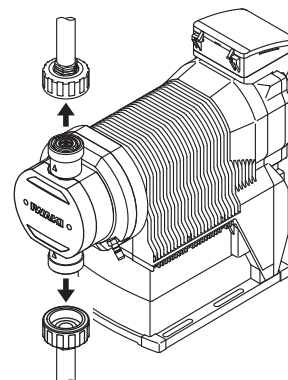
### Necessary tools

- 3mm hexagon wrench
- Spanner (13mm)
- Torque wrench

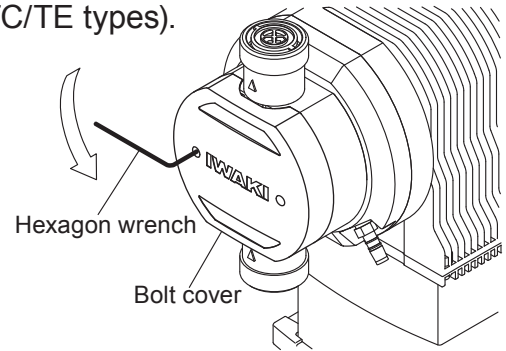
- 1 Remove pipes from the pump.

**NOTE**

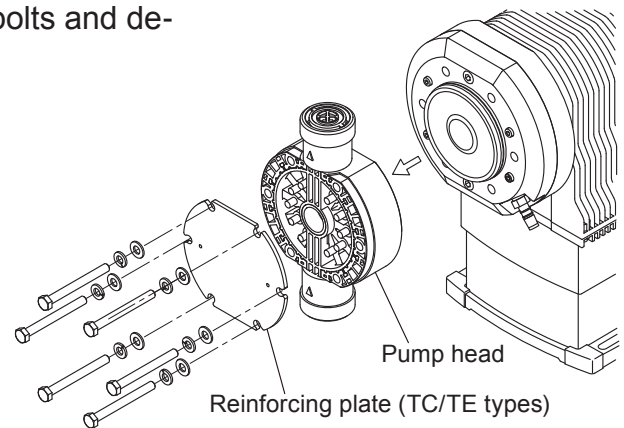
- The valve set may come down as the suction pipe is removed. Take care not to drop it.
- Be careful not to get wet with residual chemicals in the pump head or the discharge pipe.



2 Remove the bolt cover by a 3mm hexagon wrench (TC/TE types).



3 Use a 13mm spanner to remove the six M8 bolts and detach the pump head with a reinforcing plate.



4 Extend the pump shaft by keypad operation.

\*With the diaphragm rupture detection ON and the error message of "LEAK DETECTED!", the diaphragm has been fully extended. In this instance, skip to the next step.

Other Features:  
←Diaphragm Pos.→

Select "Diaphragm Pos." through the menu screen and push the Enter key. See page 51 for detail.



Diaphragm Pos.:  
← MAX OUT Pos. →

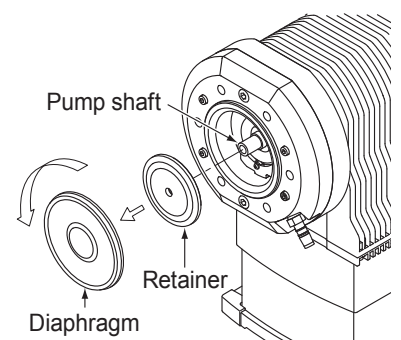
Select "MAX OUT Pos." by the right and left keys and push the Enter key.



Diaphragm Pos.:  
MAX OUT Pos.

The diaphragm extends to the maximum and "MAX OUT Pos." blinks on the screen.

5 Rotate and remove the diaphragm and the retainer.



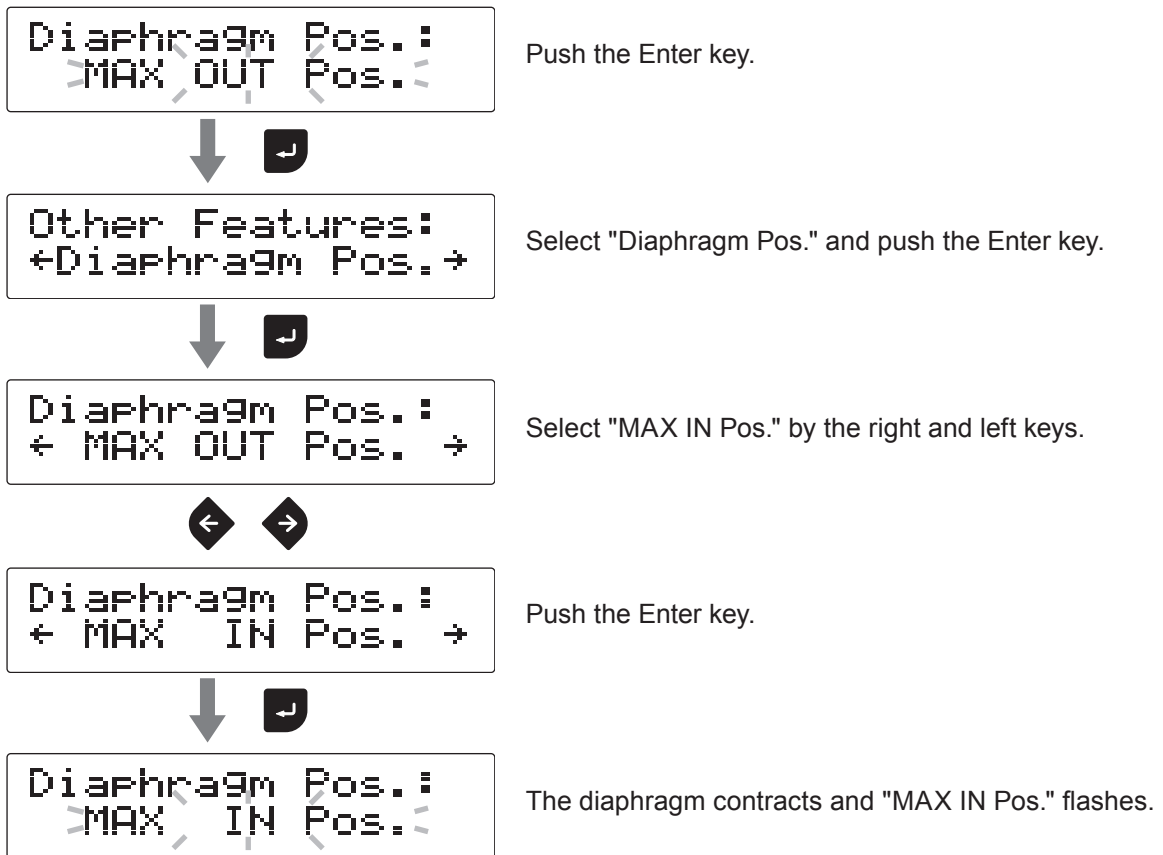


6 Clean the retainer or replace it with a new one. Apply the grease (Dow Corning Toray MOLYKOTE® HP-500) on its surface and the screw burning protective agent to the shaft of a new diaphragm.

7 Fit a new diaphragm and the retainer into the pump shaft.  
Slide the retainer, dome end first, onto the diaphragm shaft. And then screw the shaft into the pump shaft and tighten it until bottoms out and will not turn further.

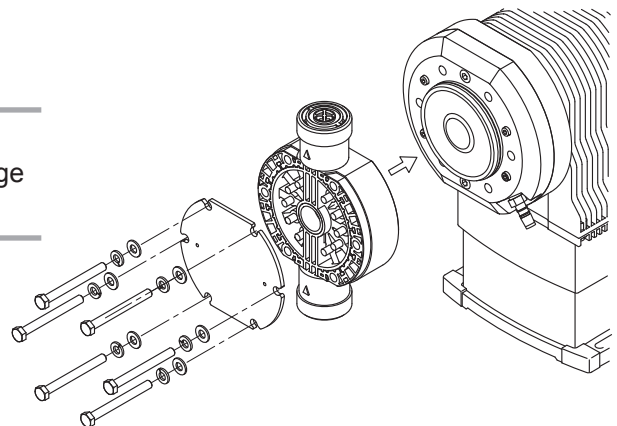
NOTE  
If it is fitted loose, failure may result.

8 Retract the pump shaft by keypad operation.

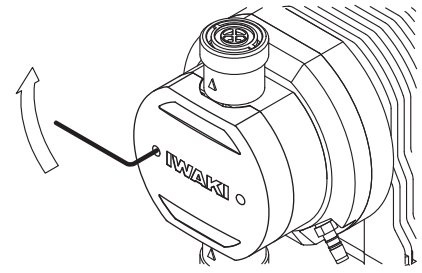


9 Mount the pump head.  
Tighten the bolts evenly to 12N•m in diagonal order.

NOTE  
Check the pump shaft has contracted to the full before mounting the pump head, or a leak or damage may result.



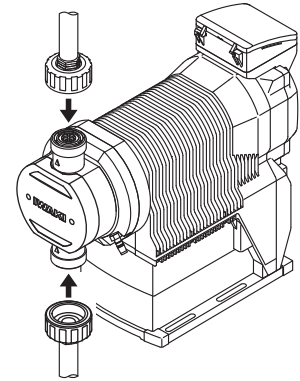
10 Fix the bolt cover by the hexagon wrench (TC/TE types).



11 Connect pipes to the fittings and then tighten the nuts.

NOTE

Check if the valve set mounting direction is correct. Both the valve sets must be oriented to the same direction.



12 Go back to the waiting state.

Other Features:  
+Diaphragm Pos.+

Push the Enter key once to shift to the left display.



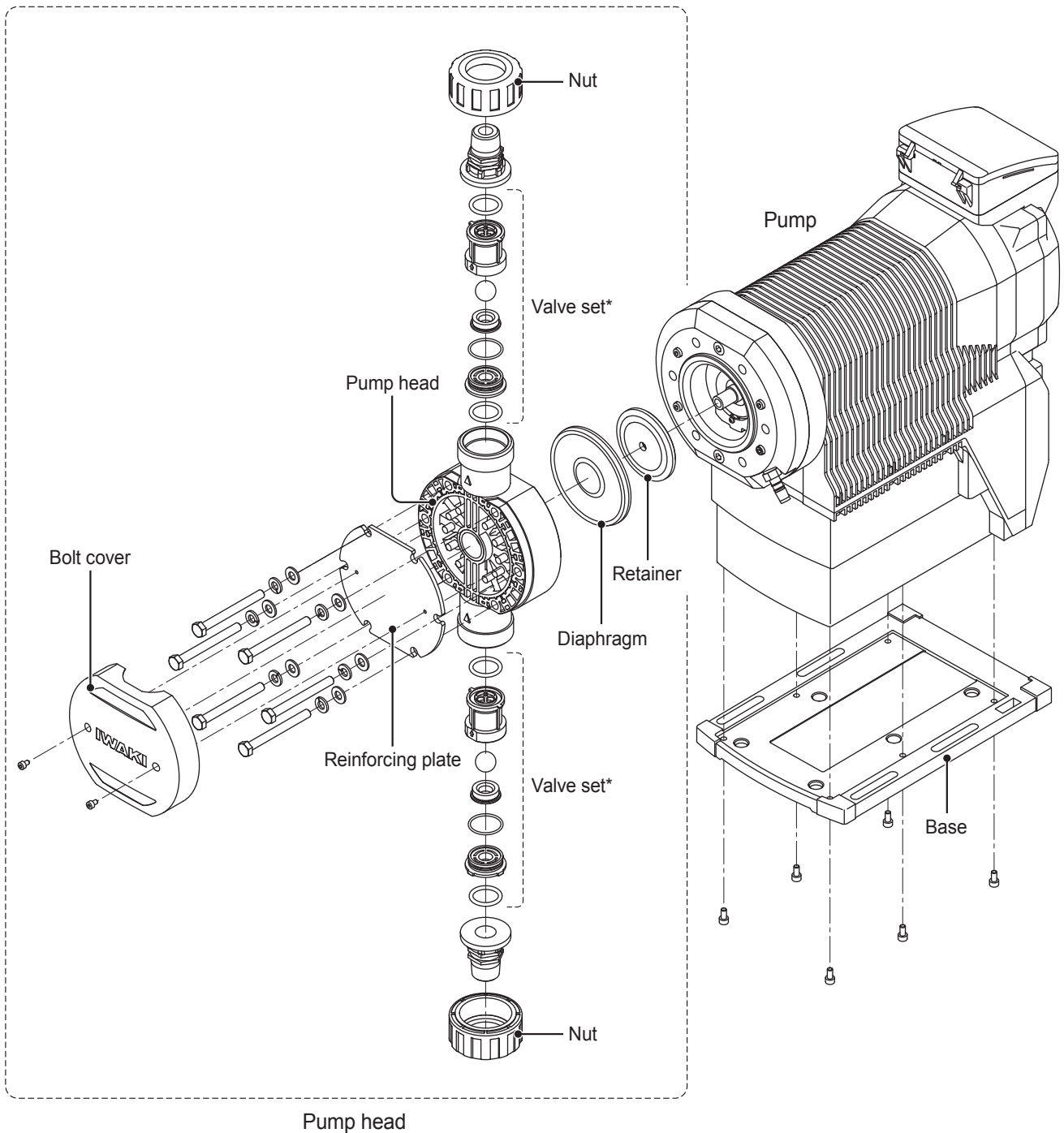
SELECT OPERATION  
MAN ← → EXT (ANA.P)

Push the start/stop key to return to the MAN/EXT selection.

# Exploded view

## Pump head, Drive unit & Control unit

Do not dismantle the pump beyond the extent shown in the diagram below.

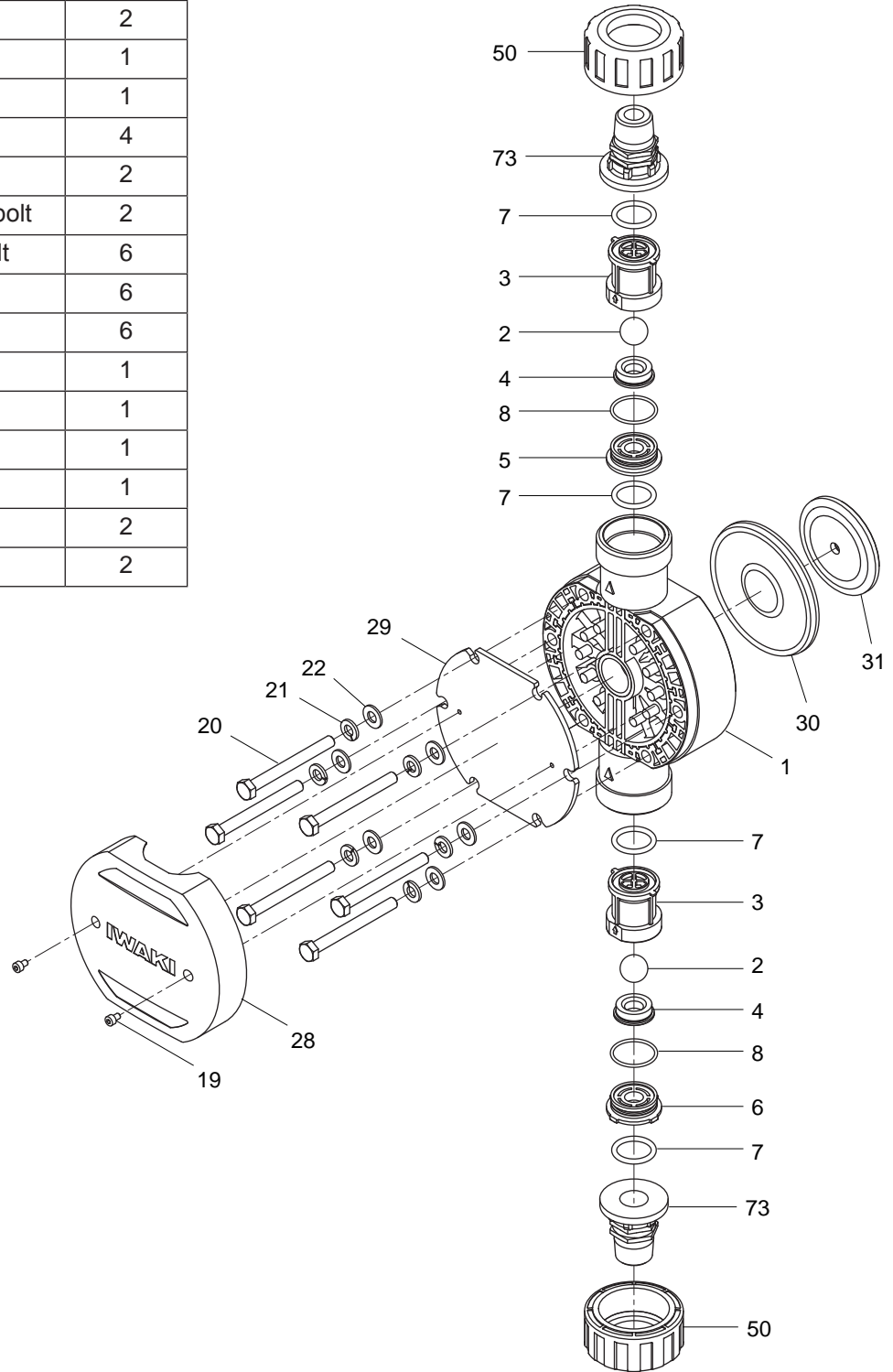


\*Pump head material and size differ with models.

# Pump head

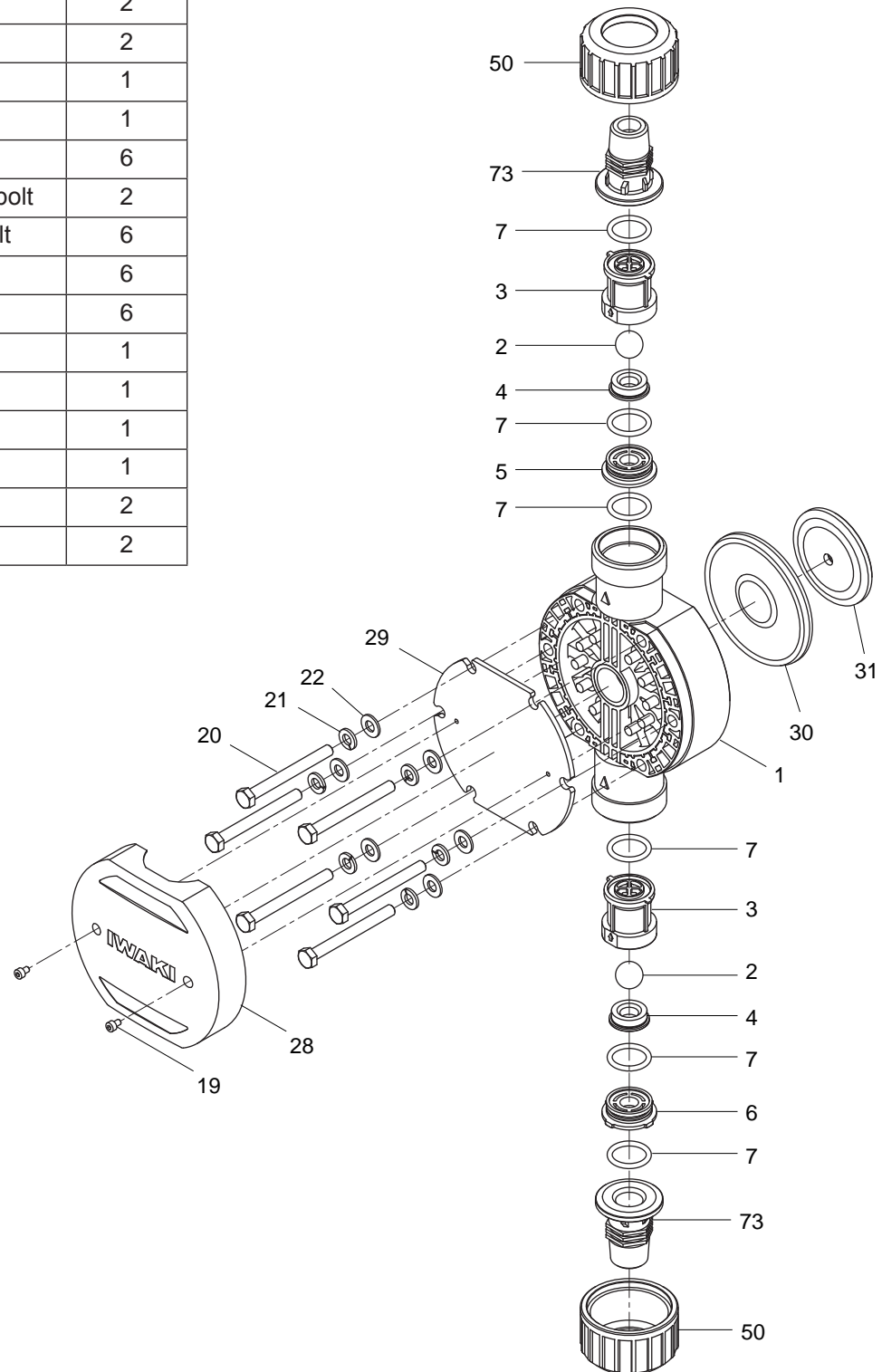
## ■ IX-D150 TC/TE R/N

No.	Part names	# of parts
1	Pump head	1
2	Valve	2
3	Valve guide	2
4	Valve seat	2
5	Out seat holder	1
6	In seat holder	1
7	O ring	4
8	O ring	2
19	Hex socket head bolt	2
20	Hexagon head bolt	6
21	Spring washer	6
22	Plain washer	6
28	Bolt cover	1
29	Reinforcing plate	1
30	Diaphragm	1
31	Retainer plate	1
50	Nut	2
73	Fitting	2



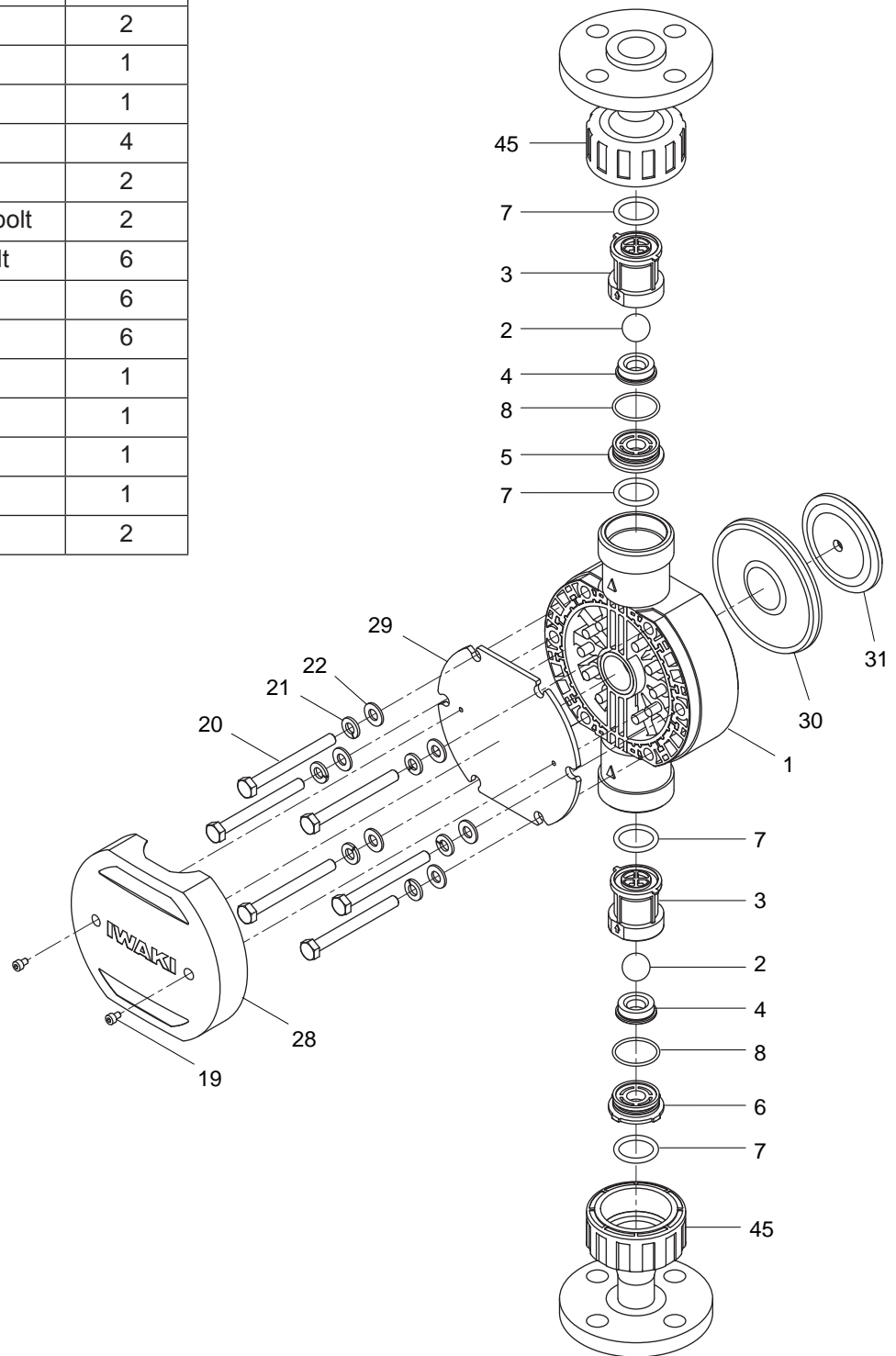
■ IX-D300 TC/TE R/N

No.	Part names	# of parts
1	Pump head	1
2	Valve	2
3	Valve guide	2
4	Valve seat	2
5	Out seat holder	1
6	In seat holder	1
7	O ring	6
19	Hex socket head bolt	2
20	Hexagon head bolt	6
21	Spring washer	6
22	Plain washer	6
28	Bolt cover	1
29	Reinforcing plate	1
30	Diaphragm	1
31	Retainer plate	1
50	Nut	2
73	Fitting	2



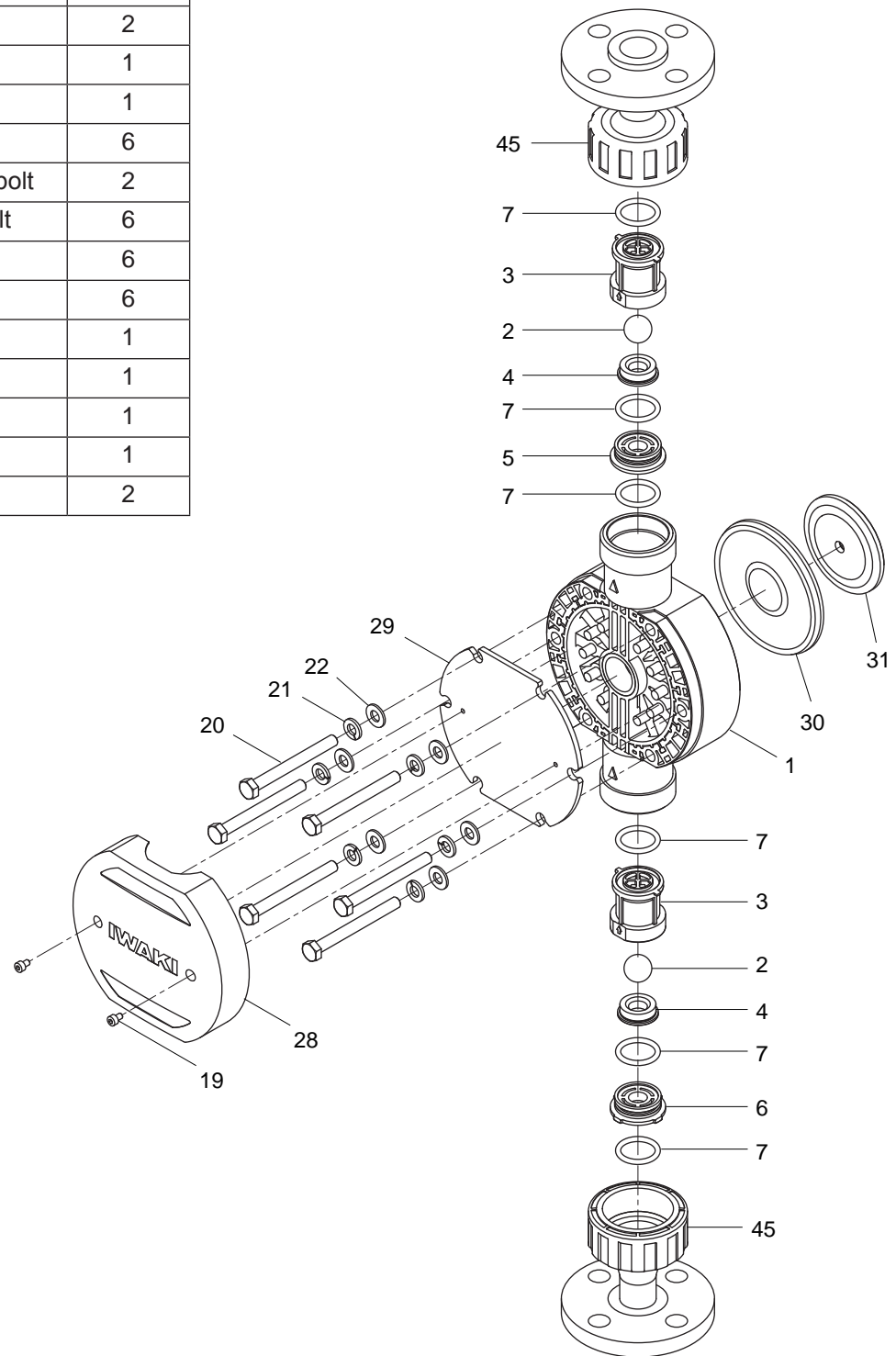
■ IX-D150 TC/TE FJ/FD/FA

No.	Part names	# of parts
1	Pump head	1
2	Valve	2
3	Valve guide	2
4	Valve seat	2
5	Out seat holder	1
6	In seat holder	1
7	O ring	4
8	O ring	2
19	Hex socket head bolt	2
20	Hexagon head bolt	6
21	Spring washer	6
22	Plain washer	6
28	Bolt cover	1
29	Reinforcing plate	1
30	Diaphragm	1
31	Retainer plate	1
45	Flange unit	2



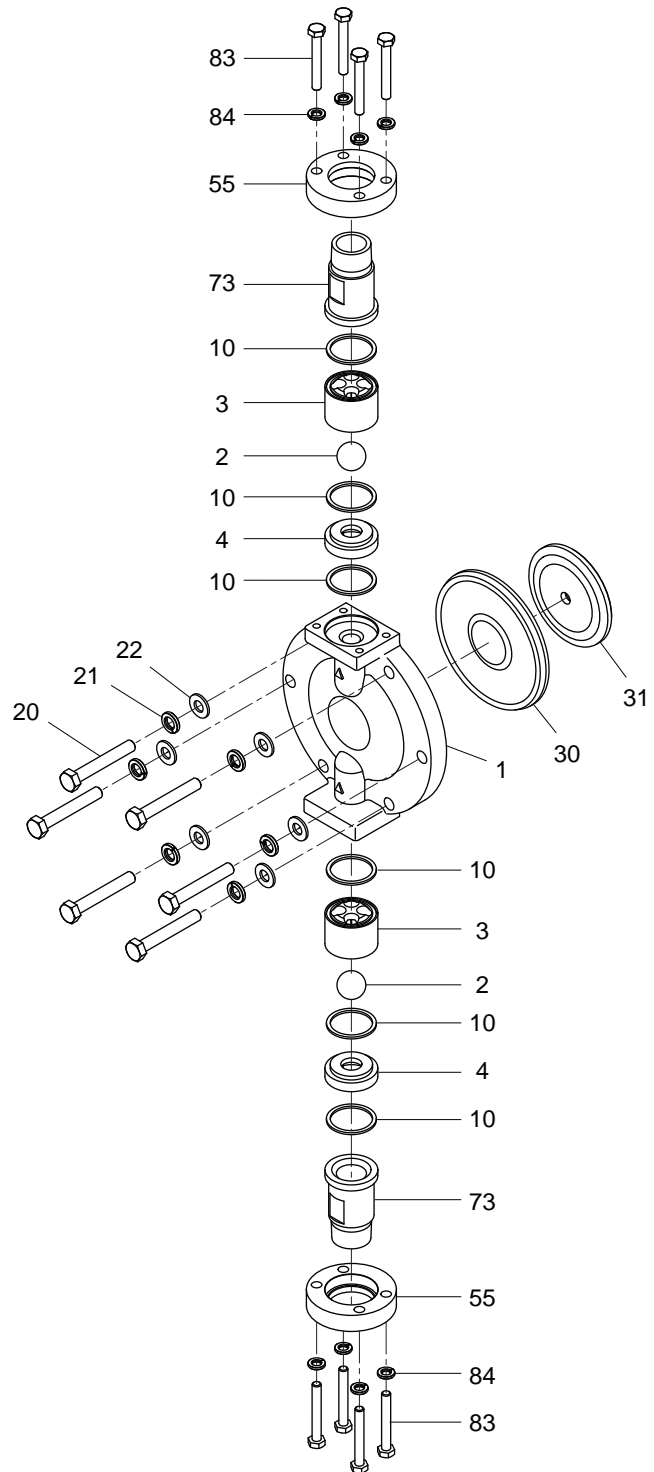
■ IX-D300 TC/TE FJ/FD/FA

No.	Part names	# of parts
1	Pump head	1
2	Valve	2
3	Valve guide	2
4	Valve seat	2
5	Out seat holder	1
6	In seat holder	1
7	O ring	6
19	Hex socket head bolt	2
20	Hexagon head bolt	6
21	Spring washer	6
22	Plain washer	6
28	Bolt cover	1
29	Reinforcing plate	1
30	Diaphragm	1
31	Retainer plate	1
45	Flange unit	2



■ IX-D150/-D300 S6 R/N

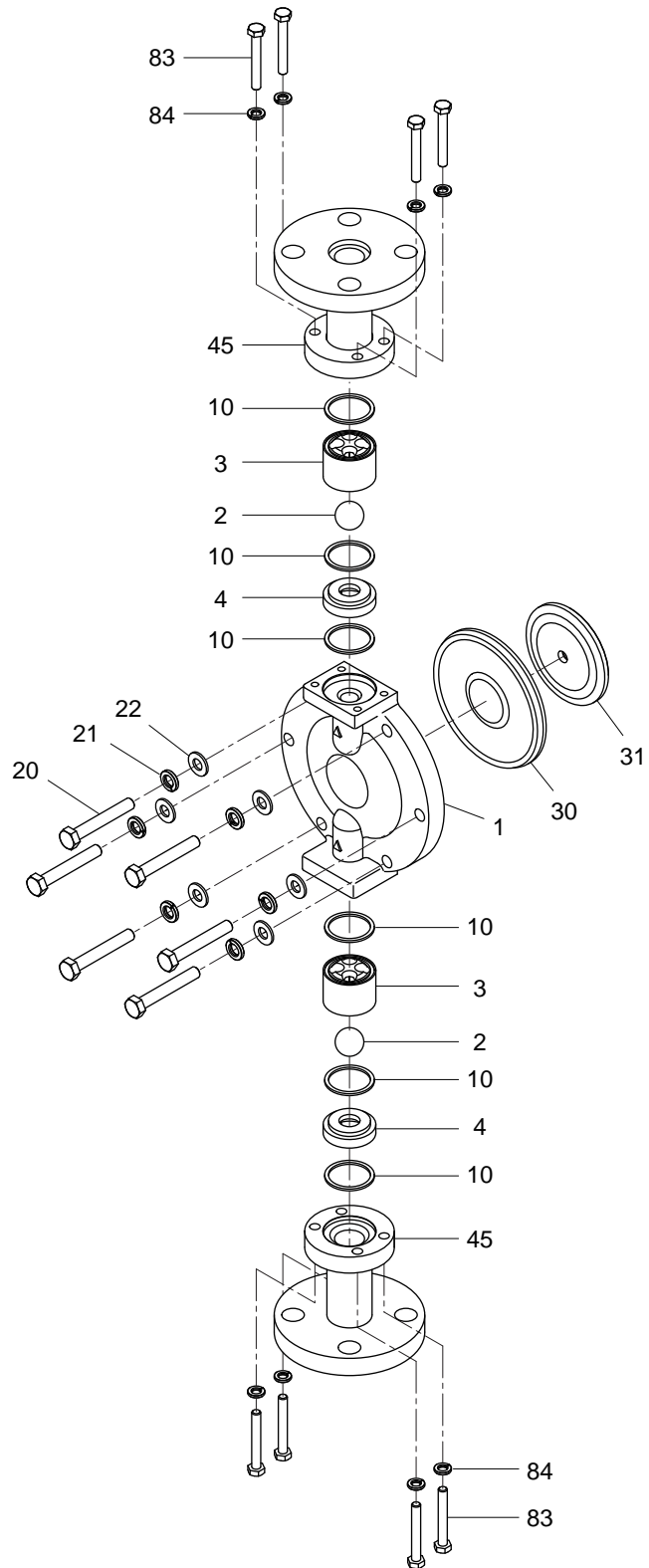
No.	Part names	# of parts
1	Pump head	1
2	Valve	2
3	Valve guide	2
4	Valve seat	2
10	Valve gasket	6
20	Hexagon head bolt	6
21	Spring washer	6
22	Plain washer	6
30	Diaphragm	1
31	Retainer plate	1
55	Setting flange	2
73	Fitting	2
83	Hexagon head bolt	8
84	Spring washer	8





■ IX-D150/-D300 S6 FJ/FD/FA

No.	Part names	# of parts
1	Pump head	1
2	Valve	2
3	Valve guide	2
4	Valve seat	2
10	Valve gasket	6
20	Hexagon head bolt	6
21	Spring washer	6
22	Plain washer	6
30	Diaphragm	1
31	Retainer plate	1
45	Flange unit	2
83	Hexagon head bolt	8
84	Spring washer	8



## Specifications/Outer dimensions

### Specifications

Information in this section is subject to change without notice.

#### ■ Pump

Model code		Flow rate L/H	Max. discharge pressure MPa	Avg. power consump- tion W	Current value A	Connection	Weight kg				
IX-D150 TC/TE	R/N	0.2-150	1.0	110	1.3	R3/4 /3/4-14NPT	14.5				
	FJ/FD/FA					JIS10K20A /DIN PN10 DN20 /ANSI 150Lb 3/4"	14.5				
IX-D150 S6	R/N					R3/4 /3/4-14NPT	15				
	FJ/FD/FA					JIS10K20A /DIN PN10 DN20 /ANSI 150Lb 3/4"	17				
IX-D300 TC/TE	R/N					0.4-300	0.5	110	1.3	R1 /1-11.5NPT	15.5
	FJ/FD/FA									JIS10K25A /DIN PN10 DN25 /ANSI 150Lb 1"	15.5
IX-D300 S6	R/N	R1 /1-11.5NPT	17								
	FJ/FD/FA	JIS10K25A /DIN PN10 DN25 /ANSI 150Lb 1"	19.5								

\*The above information is based on pumping clean water at rated voltage and ambient temperature.

\*Pressure overload protection will stop operation when a discharge pressure has risen 1.3 to 2 times higher than the maximum level.

\*Allowable room temperature: 0-50°C (32-122°F)

\*Allowable liquid temperature: 0-50°C (32-122°F) for the TC/TE type, 0-80°C (32-176°F) for the S6 type

\*Allowable power voltage deviation: Within ±10% of the rated range

\*Ambient humidity: 30-90%RH (non condensing)

\*When running the IX-D150 S6 at or below 1.0L/H or the IX-D300 S6 at or below 2.0L/H, an actual flow rate may not meet a target rate.

#### ■ European power cable

Conduction section area	0.75 [mm <sup>2</sup> ] Triplex cable (L/N/PE)
Length	2000 [mm]
Standard	H03VV-F
Terminal treatment	European plug

#### ■ Australian power cable

Conduction section area	1.0 [mm <sup>2</sup> ] Triplex cable (L/N/E)
Length	2000 [mm]
Standard	H05VV-F AS3191
Terminal treatment	Australian plug

#### ■ Body colour

Blue	Munsell colour system 7.5PB 3/8
------	---------------------------------

## ■ Control unit

Operation modes	MAN (Manual)	A flow rate is set with ↑ (Up) and ↓ (Down) keys.	
	EXT	Analogue preset	4-20/0-20/20-4/20-0mA (proportional control of a flow by current patterns)
		Analogue variable	0-20mADC (proportional control of a flow by user-settable two points )
		Pulse control* <sup>1</sup>	0.01560mL/PLS - 300mL/PLS (D150)
			0.03120mL/PLS - 600mL/PLS (D300)
		Batch control* <sup>1</sup>	15.6mL/PLS - 300L/PLS (D150)
			31.2mL/PLS - 600L/PLS (D300)
Interval batch control* <sup>1</sup>	0-9day, 0-23hr, 1-59min		
	15.6mL - 300L/PLS (D150)		
	31.2mL - 600L/PLS (D300)		
Profibus control	Profibus-DP Compliant to EN50170 (IEC61158)		
Monitors	LCD	16×2 backlit LCD	
	LED	OPERATE	Lights in green colour during pump operation.
			Lights in orange colour when a Pre-STOP signal is input.
			Lights in red colour when the pump has stopped or flashes when pressure overload is detected.
ALARM	Lights in red colour when Alarm OUT 1 or 2 is activated.		
Operation	Key-pads	① (Start/Stop), MENU, ESC, ↵ (Enter), ↑ (Up), ↓ (Down), ← (Left) and → (Right) keys	
Control functions	STOP	Pump OFF at contact input* <sup>2</sup>	
	PRIME	Max spm operation while the UP and DOWN keys are pressed.	
	Keypad lock	PIN number entry disables the function.	
	Interlock	Pump OFF at contact input* <sup>2</sup>	
	AUX	Pump ON at AUX speed at contact input	
	Maximum flow rate setting	The max flow rate can be set at each control mode.	
	Buffer	Accumulates the entered external pulse signal with buffer ON.	
	Current value indication	An input current is displayed during operation in the ANA.V mode.	
Input	Stop/ Pre-STOP	No-voltage contact or open collector* <sup>3</sup>	
	AUX	No-voltage contact or open collector* <sup>3</sup>	
	Interlock	No-voltage contact or open collector* <sup>3</sup>	
	Analogue	0-20mADC (internal resistance is 200Ω.)	
	Pulse	No-voltage contact/open collector (max 100Hz, min ON time: 5msec)	
Output	Alarm (OUT 1)	No voltage contact (mechanical relay) 250VAC 3A (resistive load) Enable or disable the Batch Complete* <sup>4</sup> , STOP, Pre-STOP, Interlock, Leak Detection (default: ON) and Motor Overload (/Drive Error).	
	Alarm (OUT 2)	No voltage contact (PhotoMOS relay) 24VAC/DC 0.1A (resistive load) Enable or disable the Volume Prop. PLS* <sup>5</sup> , Batch Complete* <sup>4</sup> , STOP, Pre-STOP, Interlock (default: ON), Leak Detection and Motor Overload (/Drive Error).	
	Power supply	12VDC 30mA or below	
	Analogue	User-settable between 0-20mADC (allowable load resistance: 300Ω)	
Power voltage* <sup>6</sup>		100-240VAC 50/60Hz	

\*<sup>1</sup> For these control modes, the calibrated flow volume per shot is applied to the minimum settable flow volume per shot.

\*<sup>2</sup> The setting can be changed to "pump ON at contact input".

\*<sup>3</sup> The maximum applied voltage from the IX to an external contact is 12V at 5mA. When using a mechanical relay, its minimum application load should be 5mA or below.

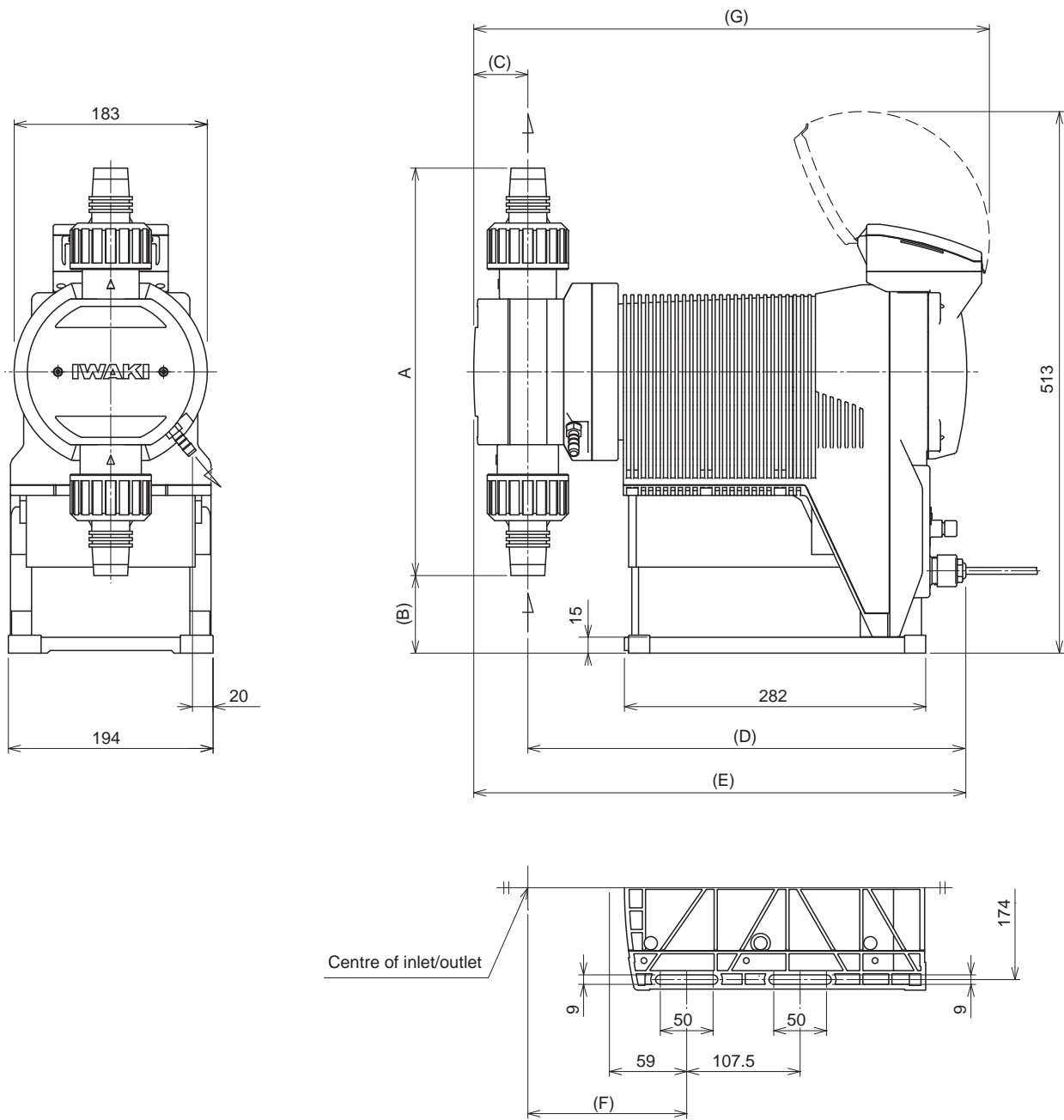
\*<sup>4</sup> Once the Batch Complete output is set to enabled, other output functions turn disabled.

\*<sup>5</sup> Once the Volume Prop. PLS output is set to enabled, other output functions turn disabled.

\*<sup>6</sup> Observe the specified power voltage range. Otherwise failure may result. The allowable power voltage range is 90-264VAC.

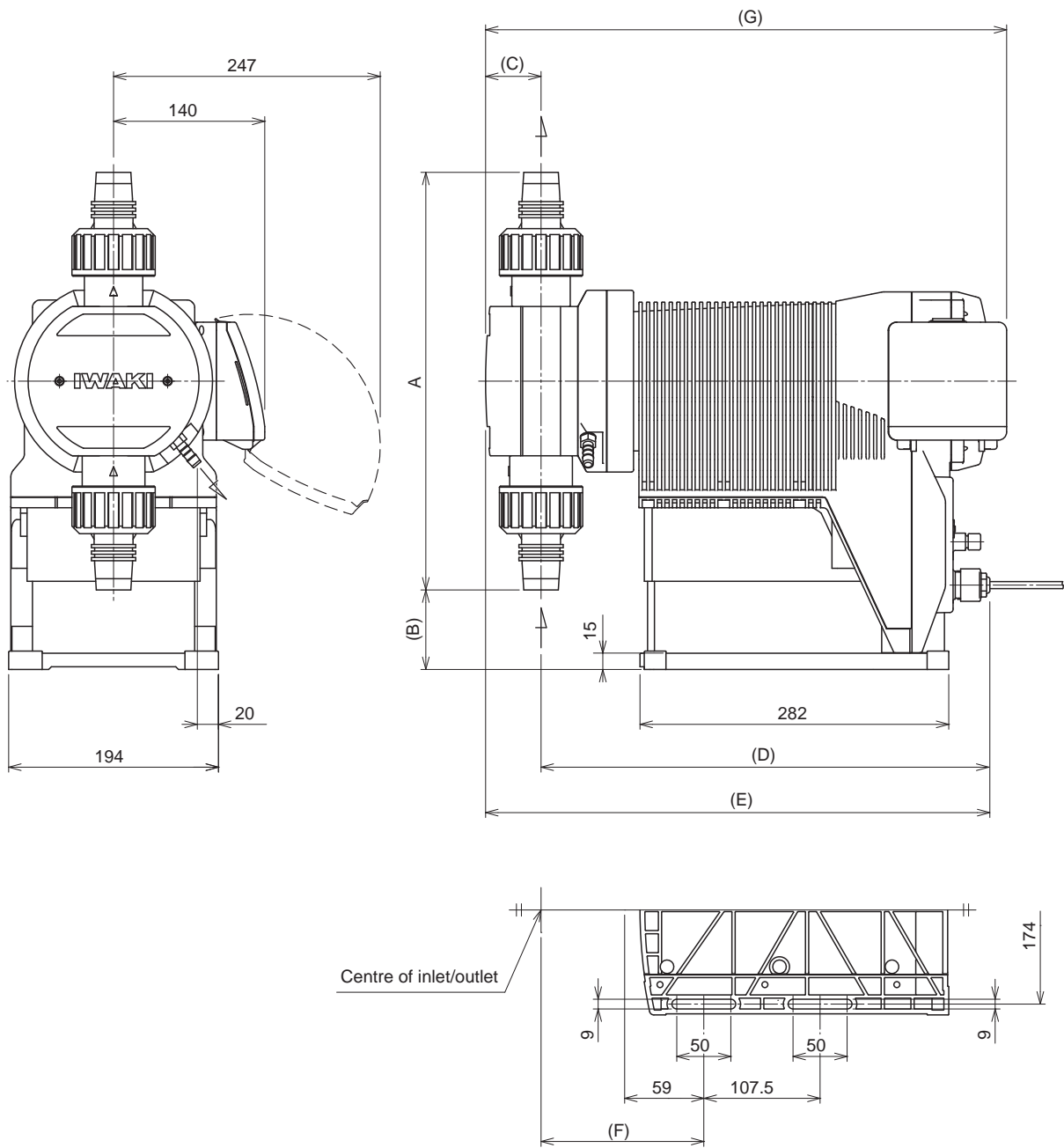
# Outer dimensions

## ■ IX-D150/-D300 TC/TE R/N-TB



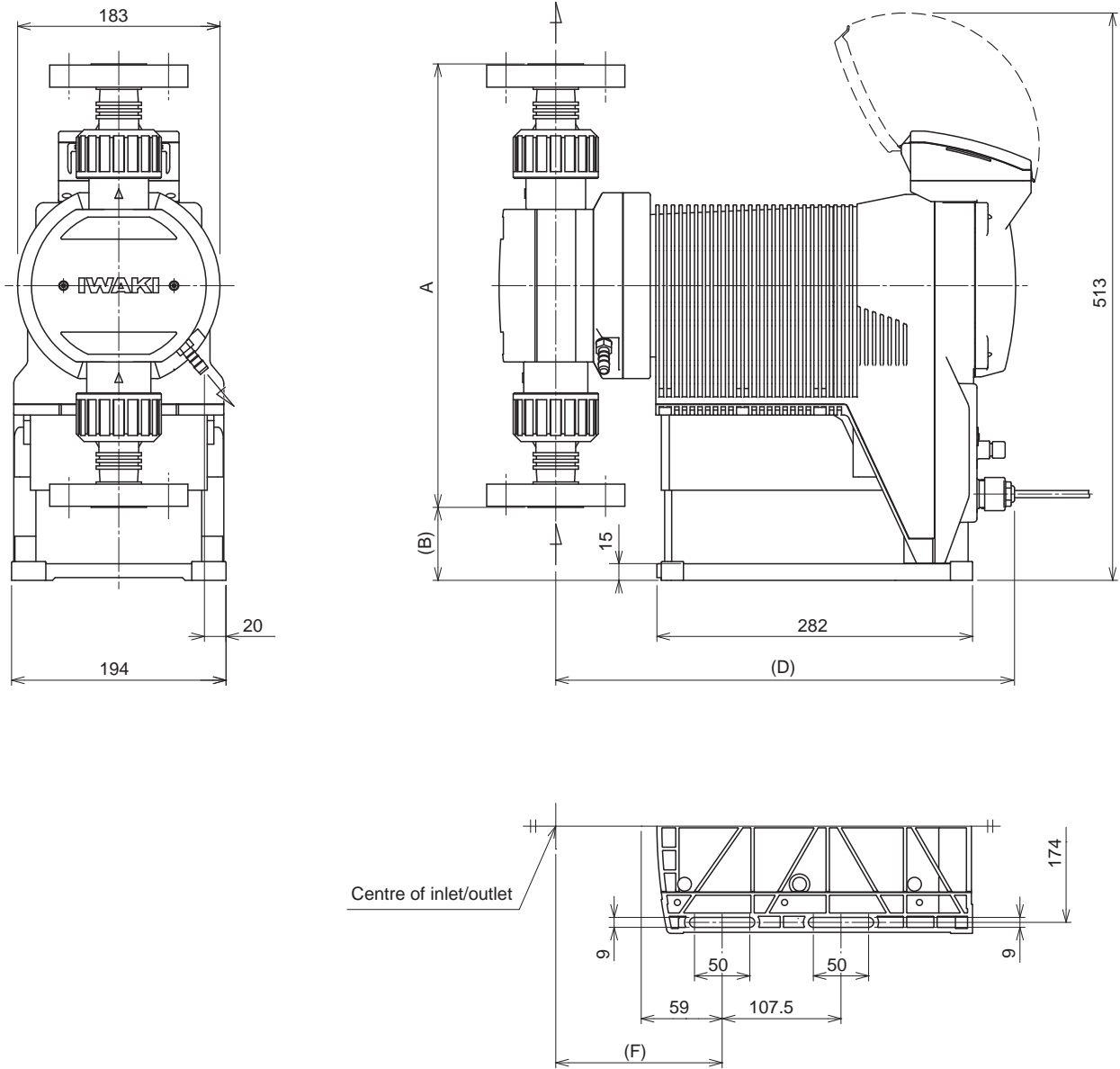
	A	B	C	D	E	F	G
IX-D150	317	108	42	409	450	144	472
IX-D300	384	74	52	415	467	151	489

■ IX-D150/-D300 TC/TE R/N-RF



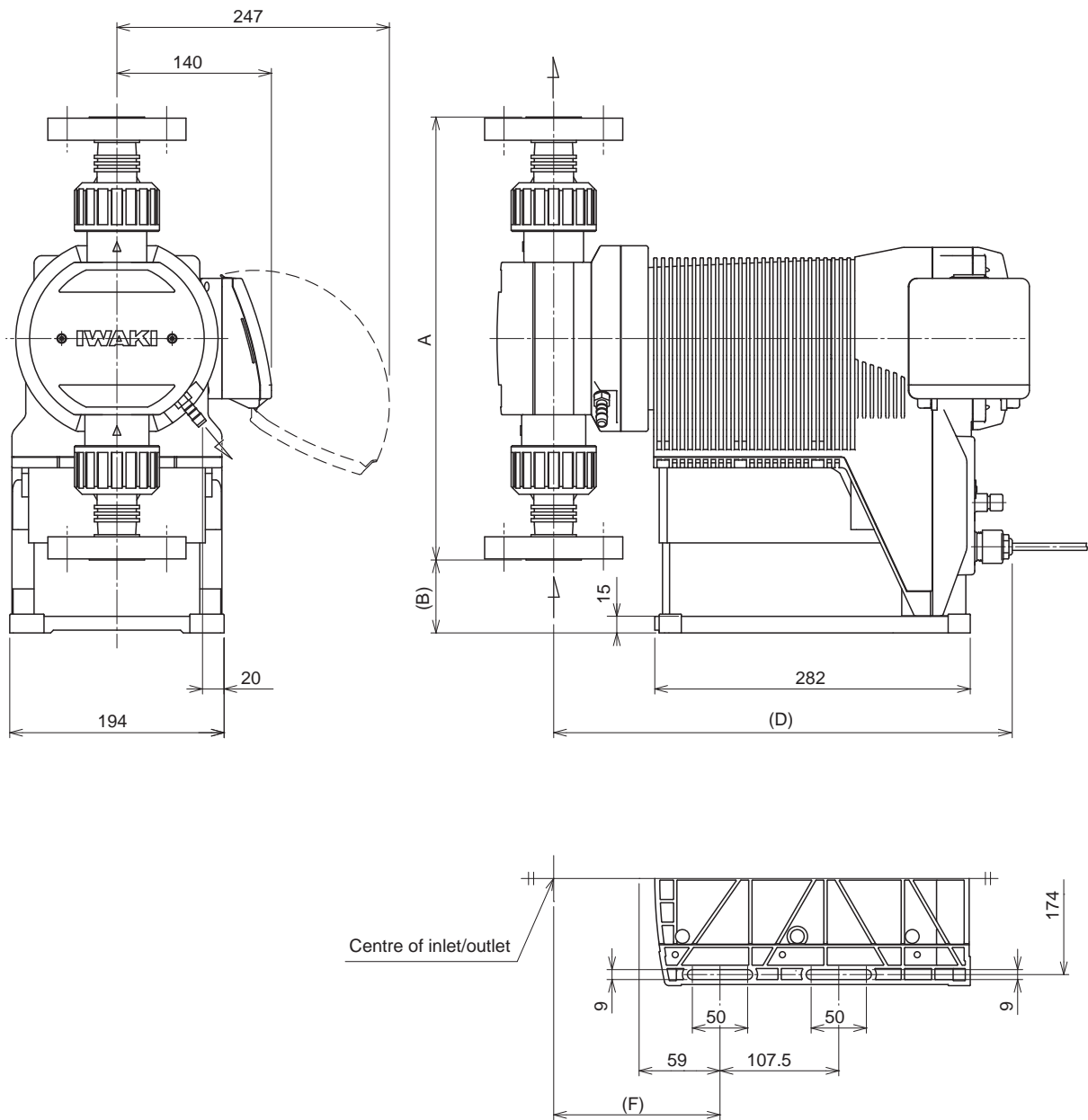
	A	B	C	D	E	F	G
IX-D150	317	108	42	409	450	144	465
IX-D300	384	74	52	415	467	151	482

■ IX-D150/-D300 TC/TE FJ\FD\FA-TB



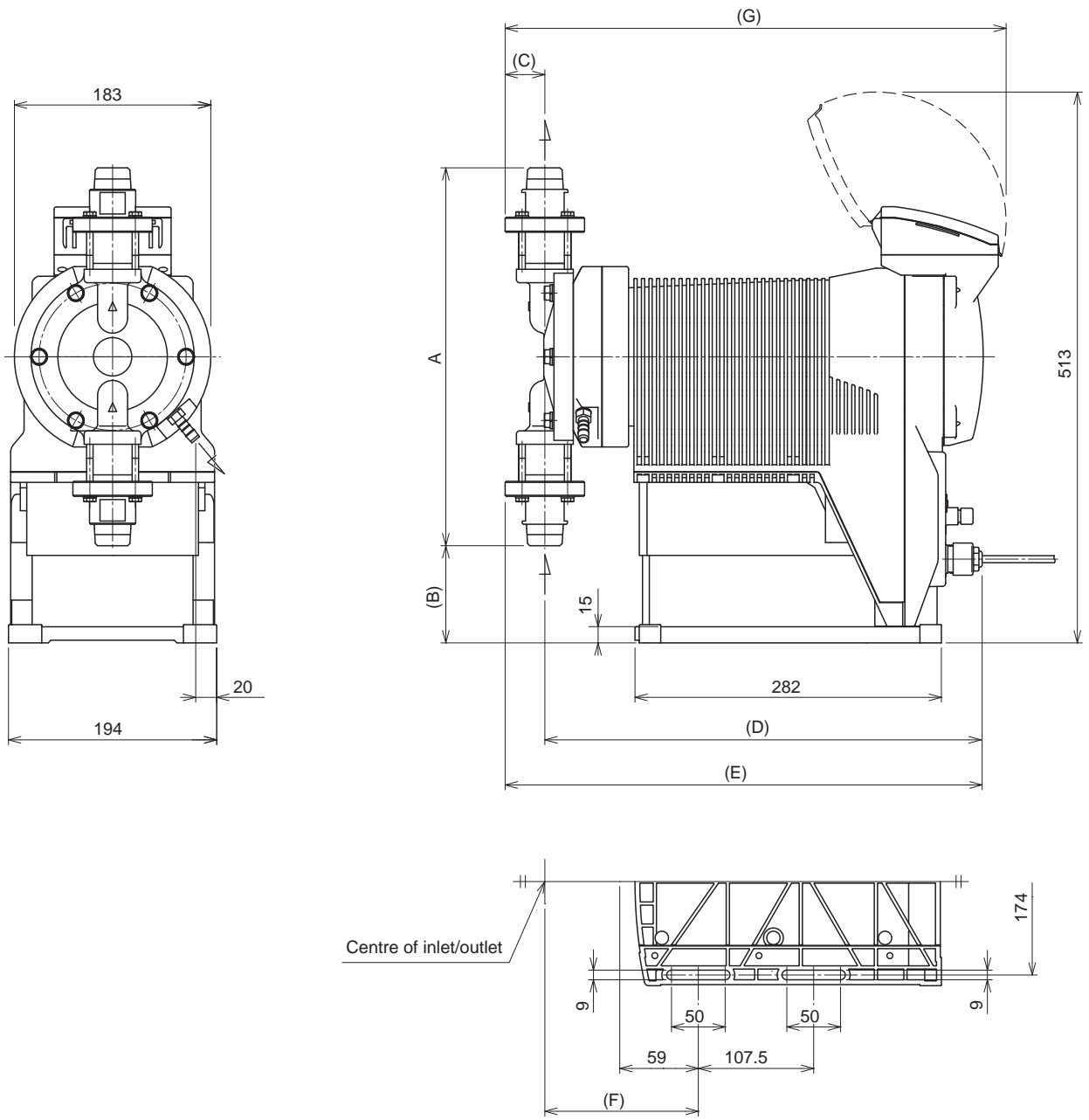
	A	B	C	D	E	F	G
IX-D150	340	97	-	409	-	144	-
IX-D300	383	74	-	415	-	151	-

■ IX-D150/-D300 TC/TE FJ/FD/FA-RF



	A	B	C	D	E	F	G
IX-D150	340	97	-	409	-	144	-
IX-D300	383	74	-	415	-	151	-

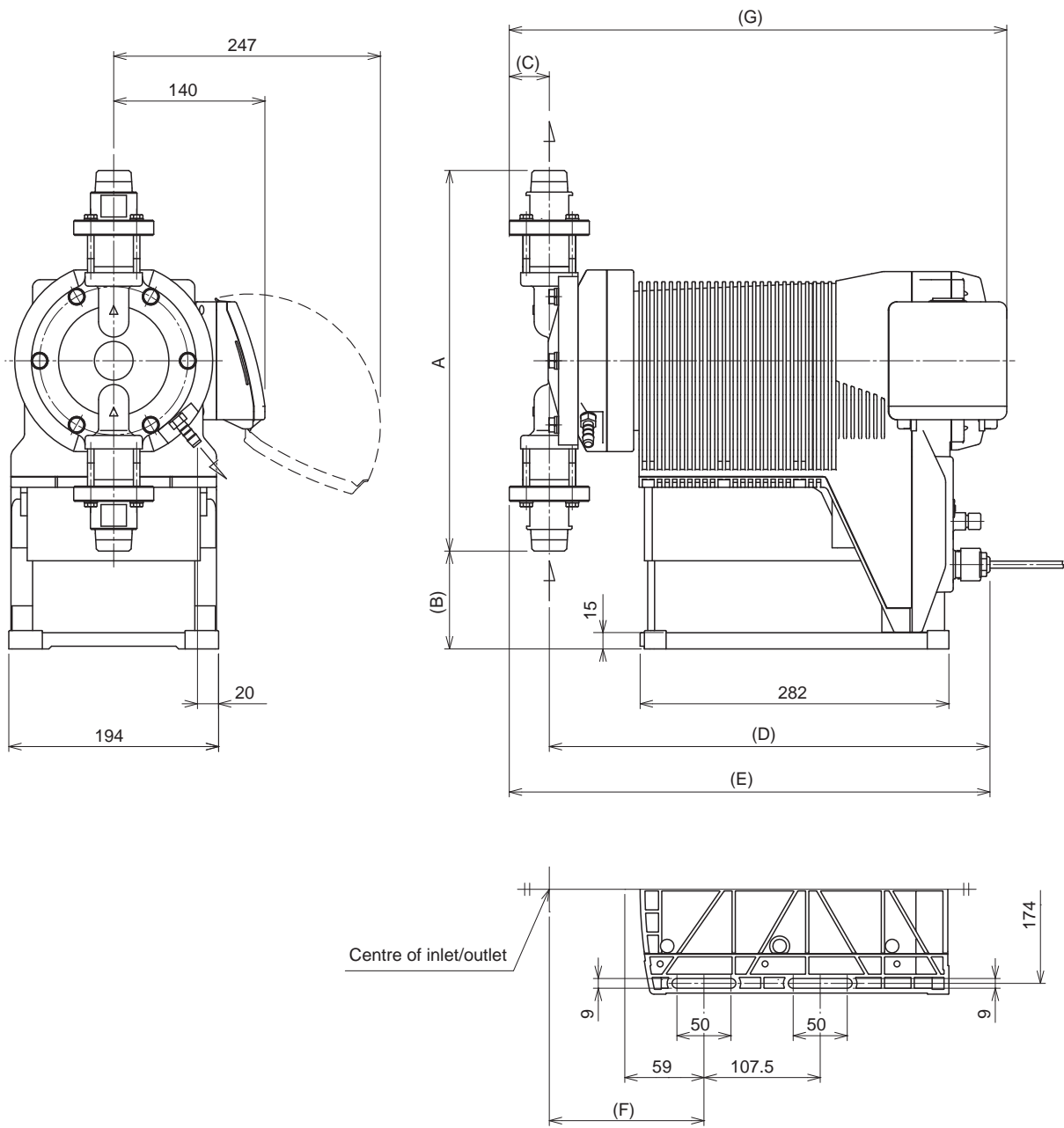
■ IX-D150/-D300 S6 R/N-TB



	A	B	C	D	E	F	G
IX-D150	315	108	30	401	431	136	460
IX-D300	355	88	37	408	445	143	467

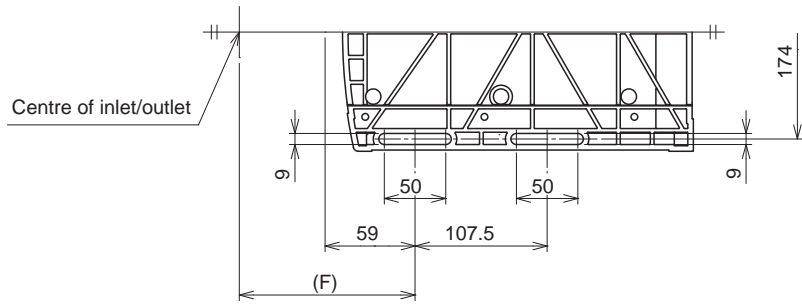
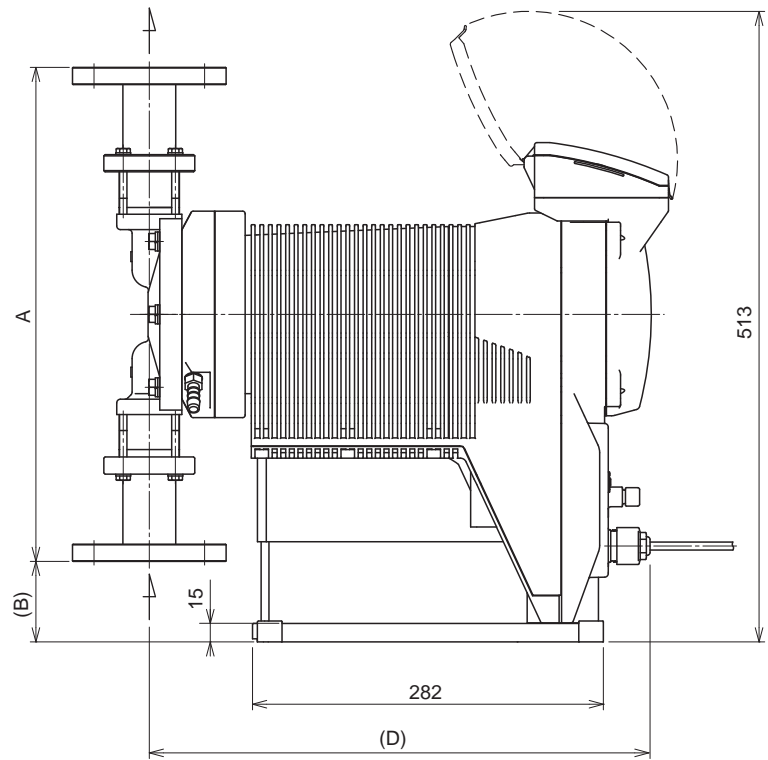
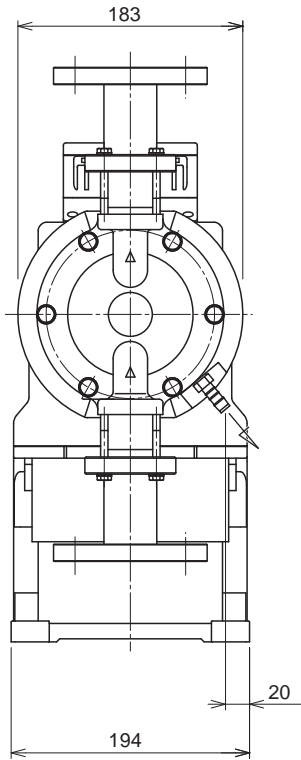


■ IX-D150/-D300 S6 R/N-RF



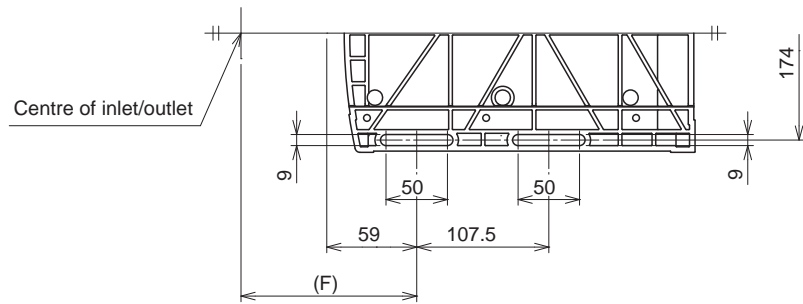
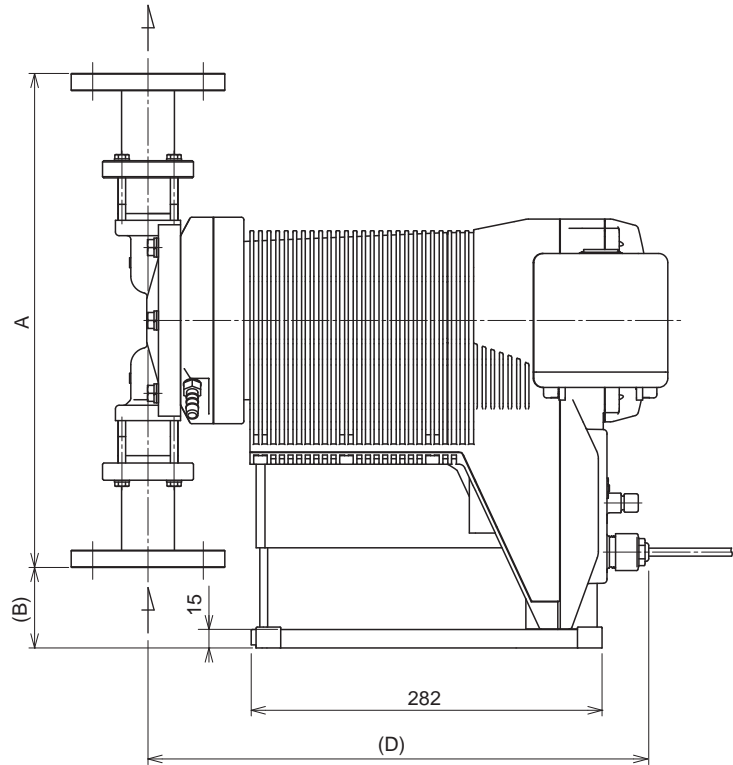
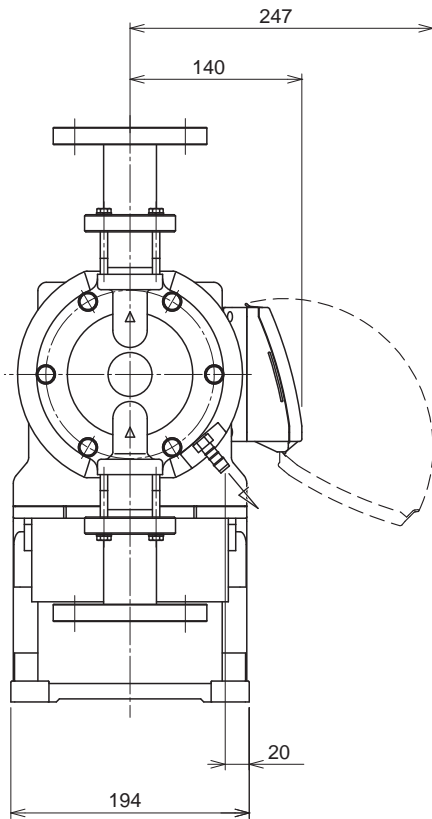
	A	B	C	D	E	F	G
IX-D150	315	108	30	401	431	136	453
IX-D300	355	88	37	408	445	143	460

■ IX-D150/-D300 S6 FJ/FD/FA-TB

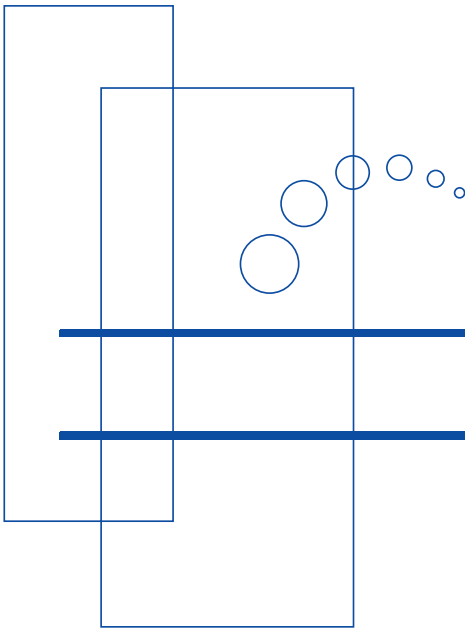


	A	B	C	D	E	F	G
IX-D150	363	84	-	401	-	136	-
IX-D300	405	63	-	408	-	143	-

■ IX-D150/-D300 S6 FJ/FD/FA-RF



	A	B	C	D	E	F	G
IX-D150	363	84	-	401	-	136	-
IX-D300	405	63	-	408	-	143	-



http://www.iwakupumps.jp  
IWAKI CO.,LTD. 6-6 Kanda-Sudacho 2-chome Chiyoda-ku Tokyo 101-8558 Japan  
TEL: +81 3 3254 2935 FAX: +81 3 3252 8892

**European office** / IWAKI Europe GmbH  
TEL: +49 2154 9254 0 FAX: +49 2154 9254 48

**Germany** / IWAKI Europe GmbH  
TEL: +49 2154 9254 50 FAX: +49 2154 9254 55

**Holland** / IWAKI Europe GmbH (Netherlands Branch)  
TEL: +31 74 2420011 FAX: +49 2154 9254 48

**Italy** / IWAKI Europe GmbH (Italy Branch)  
TEL: +39 0444 371115 FAX: +39 0444 335350

**Spain** / IWAKI Europe GmbH (Spain Branch)  
TEL: +34 93 37 70 198 FAX: +34 93 47 40 991

**Belgium** / IWAKI Belgium N.V.  
TEL: +32 13 670200 FAX: +32 13 672030

**Denmark** / IWAKI Nordic A/S  
TEL: +45 48 242345 FAX: +45 48 242346

**Finland** / IWAKI Suomi Oy  
TEL: +358 9 2745810 FAX: +358 9 2742715

**France** / IWAKI France S.A.  
TEL: +33 1 69 63 33 70 FAX: +33 1 64 49 92 73

**Norway** / IWAKI Norge AS  
TEL: +47 23 38 49 00 FAX: +47 23 38 49 01

**Sweden** / IWAKI Sverige AB  
TEL: +46 8 511 72900 FAX: +46 8 511 72922

**U.K.** / IWAKI Pumps (U.K.) LTD.  
TEL: +44 1743 231363 FAX: +44 1743 366507

**U.S.A.** / IWAKI America Inc.  
TEL: +1 508 429 1440 FAX: +1 508 429 1386

**Argentina** / IWAKI America Inc. (Argentina Branch)  
TEL: +54 11 4745 4116

**Singapore** / IWAKI Singapore Pte Ltd.  
TEL: +65 6316 2028 FAX: +65 6316 3221

**Indonesia** / IWAKI Singapore (Indonesia Branch)  
TEL: +62 21 6906606 FAX: +62 21 6906612

**Malaysia** / IWAKI SDN. BHD.  
TEL: +60 3 7803 8807 FAX: +60 3 7803 4800

**Australia** / IWAKI Pumps Australia Pty Ltd.  
TEL: +61 2 9899 2411 FAX: +61 2 9899 2421

**China (Hong Kong)** / IWAKI Pumps Co., Ltd.  
TEL: +852 2607 1168 FAX: +852 2607 1000

**China (Guangzhou)** / GFTZ IWAKI Engineering & Trading Co., Ltd.  
TEL: +86 20 84350603 FAX: +86 20 84359181

**China** / IWAKI Pumps (Shanghai) Co., Ltd.  
TEL: +86 21 6272 7502 FAX: +86 21 6272 6929

**Korea** / IWAKI Korea Co., Ltd.  
TEL: +82 2 2630 4800 FAX: +82 2 2630 4801

**Taiwan** / IWAKI Pumps Taiwan Co., Ltd.  
TEL: +886 2 8227 6900 FAX: +886 2 8227 6818

**Thailand** / IWAKI (Thailand) Co., Ltd.  
TEL: +66 2 322 2471 FAX: +66 2 322 2477

**Vietnam** / IWAKI Pumps Vietnam Co., Ltd.  
TEL: +84 613 933456 FAX: +84 613 933399