



IWAKI
ELECTROMAGNETIC
METERING
PUMPS

EWN-Y



Solution for chemical handling applications

Electromagnetic metering pumps with precise flow monitoring,



The EWN-Y electromagnetic pump combined with EFS flow sensor (option) provides accurate real time control & display of dosing rate.

The required flow rate is simply input to the pump. Through feedback from the EFS sensor, the pump constantly adjusts its speed to maintain the set dosing rate - even under changing temperature, viscosity, or suction & discharge pressure conditions.

The EFS is mounted directly on the pump to digitally display dosing rate per minute or hour - ALL WITHOUT ANY CALIBRATION.

The EWN-Y gives a proportional 4-20mA output signal of dosing rate and displays operating history such as total flow volume and power-on time.



EWN-Y
With EFS flow sensor (option)

feedback & control

Displaying flow rate

Pump flow rate may be displayed. In case the EFS flow sensor (option) is installed, the EWN-Y pump can display accurate real time flow rate without any calibration.

Feedback control (with EFS)

Flow rate monitoring of individual strokes by the EFS sensor enable fast response feed back control. The feedback control maintains the set capacity by manually or externally with analog input signal.

Discharge detection

Direct connection to the IWAKI FCP or FCM flow counter (excluding certain low- pressure models) allows effective monitoring of pump discharge (number of shots). Gas lock, abnormal pressure (only with FCP), etc., are also detectable.

Alarm output and analog output functions are provided as standard function

Two types of alarm outputs and analog output are provided as standard functions. The analog output can be used for flow rate monitoring.

Waterproof structure (IP65)

With the aim of improving resistance to exposure to liquid, the controller unit is installed on the back of the pump and the control panel is protected with a cover as standard equipment.

A rubber gasket is provided between the pump head and the bracket to prevent water from entering from the periphery of the pump head.

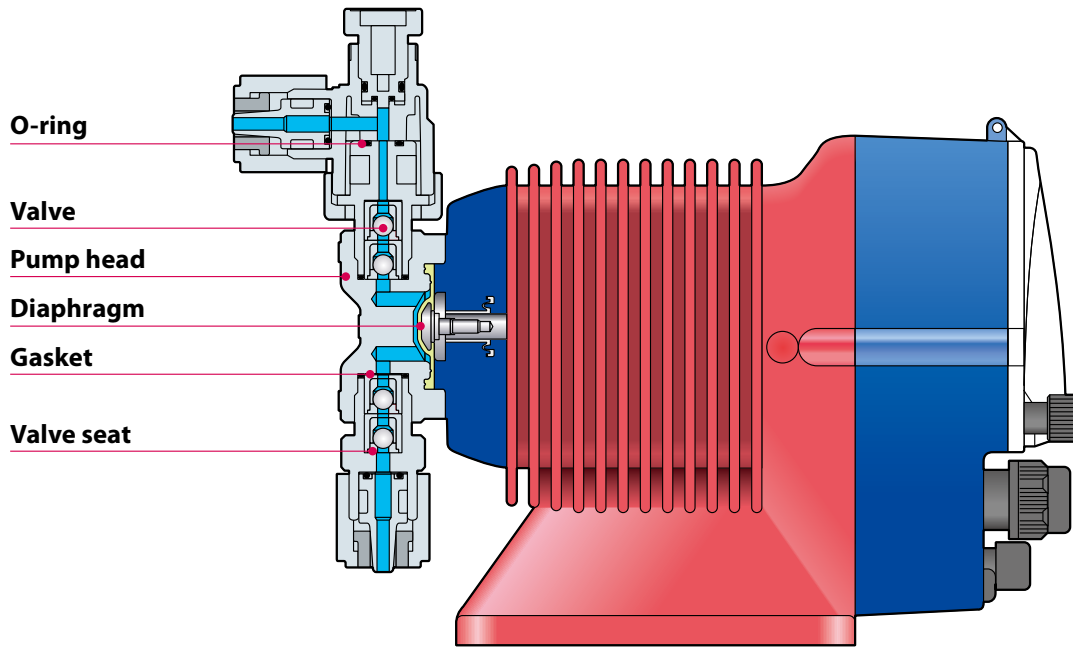
Multi hose connection

The use of a new hose stopper eliminates a twist in tube connection.



Technical data

Construction



Wet-end materials

| | Pump head | Valve | Valve seat | O-ring | Diaphragm | Gasket |
|----|-----------|-----------------|------------|--------|--|--------|
| VC | PVC | Alumina ceramic | FKM | FKM | PTFE+EPDM (EPDM of Diaphragm is not wet-end.) | PTFE |
| VH | | Hastelloy C276 | EPDM | EPDM | | |
| PC | GFRPP | Alumina ceramic | FKM | FKM | | |
| PH | | Hastelloy C276 | EPDM | EPDM | | |
| FC | PVDF | Alumina ceramic | PCTFE | - | | |
| TC | | | FKM | FKM | | |
| SH | SUS316 | Hastelloy C276 | SUS316 | - | | |

Pump identification

EWN - B 11 VC □ E Y □

- Series symbol**
EWN series
- Drive unit symbol**
Average power consumption
B: 20W C: 24W
- Diaphragm diameter**
Effective diaphragm dia.
09: 8mm 11: 10mm 16: 15mm
21: 20mm 31: 30mm 36: 35mm
- Wet-end material symbol**
For details, see the table of materials.
- Connection**
Blank: Ø4 x Ø6 (B09,B11,B16,B21,C16,C21)
Ø9 x Ø12 (B31,C31,C36)
For other option, please contact us.
- Controller function code**
Y: Y type
- Power code**
E: With European cord
A: With Australian cord
- Special version code**
C: High compression type
H: High pressure type
V: Viscosity type

Specifications of pump

| Model | | B11 | B16 | B21 | B31 | C16 | C21 | C31 | C36 | |
|---------------------------|---------|------------------------|--------------|--------------|--------------|-------------------------|--------------|-------------|--------------|--------------|
| | | | | | | | | | VC/VH/PC/PH | FC/SH/TC |
| Capacity | L/hr | 2.3 | 3.9 | 6.0 | 12.0 | 4.8 | 7.8 | 16.2 | 25.2 | 24.6 |
| | mL/min | 38 | 65 | 100 | 200 | 80 | 130 | 270 | 420 | 410 |
| | mL/shot | 0.05 to 0.1 | 0.09 to 0.18 | 0.14 to 0.28 | 0.28 to 0.56 | 0.09 to 0.22 | 0.14 to 0.36 | 0.3 to 0.75 | 0.47 to 1.17 | 0.46 to 1.14 |
| Rated discharge pressure | MPa | 1.0 | 0.7 | 0.4 | 0.2 | 1.0 | 0.7 | 0.35 | 0.2 | 0.2 |
| Max. pressure | MPa | (1.4) | (0.8) | (0.5) | - | (1.2) | (0.8) | - | - | - |
| Stroke rate | % (spm) | 0.1 to 100 (1 to 360) | | | | | | | | |
| Stroke length range | % (mm) | 50 to 100 (0.5 to 1.0) | | | | 40 to 100 (0.5 to 1.25) | | | | |
| Current | A | 0.8 | | | | 1.2 | | | | |
| Average power consumption | W | 20 | | | | 24 | | | | |

- Each discharge capacity shown above is at discharge pressure (stroke length 100%, stroke rate 100%) and increases as a discharge pressure reduces.
- The performance is based on pumping clean water at ambient temperature at rated voltage.
- Liquid temperature -VC/VH types: -10 to 40°C -PC/PH/FC/SH/TC types: -10 to 60°C
- Max pressure is not guaranteed under any discharge condition. Max pressure of PVC type is 1.2MPa. Please contact us for details.

Specifications of controller

| Model | | EWN-Y | With EFS | Without EFS | |
|------------------|--|---|---|-------------|---|
| Operational mode | MAN control | MAN(Manual) | • | • | 0.1-100.0%(1-360spm) |
| | | Feedback control | • | N/A | 0.1 - 999.9mL/min 0.001 - 59.994 L/H 0.001 - 15.829 GPH |
| | EXT control | DIV | N/A | • | /1-9999 |
| | | MULT | N/A | • | x1-9999 |
| | | Analog rigid | • | • | 4-20, 20-4, 0-20, 20-0mA proportional control to stroke rates |
| | | Analog variable | • | • | 2 - point setting (Analog variable) (Proportional control to flow/stroke rates in the range of 0-20mA) |
| | | BATCH | • | N/A | 0.1 - 99999.9 mL 0.001 - 99.999 L 0.001 - 26.385 G |
| Display | LCD | 14seg-5digits backlit LCD Operating conditions and Flow rates etc | | | |
| | LED | ON | A 2-color LED lights in orange when turning on power and in green during operation. | | |
| | | STOP | A 2-color LED lights in red when receiving the STOP signal and in orange when receiving the PreSTOP signal. | | |
| | OUT | A LED lights in red when the pump is transmitting a signal to external devices. | | | |
| Keypad | 5keys | START/STOP, EXT, ▲(UP), ▼(DOWN), Disp | | | |
| Control function | STOP/Pre-STOP | Pump keeps running when Pre-STOP is activated.Pump stops when STOP is activated. | | | |
| | Prime | Pump runs at max. stroke rate while up and down keys are pushed. | | | |
| | Key lock | Key can be locked and unlocked. | | | |
| | Inter lock | Operation stop at contact input*1 | | | |
| | Reading calibration | Reading adjustment of flow volume per shot | | | |
| | Buffer | ON/OFF of the batch control buffer memory | | | |
| Input | Pulse signal input for batch control | No voltage contact or open collector*2 | | | |
| | Analogue | 0-20mADC (Input resistance is 220Ω.) | | | |
| | STOP/Pre-STOP (Level sensor) | No voltage contact or open collector*2 | | | |
| | AUX | No voltage contact or open collector*2 | | | |
| | Interlock | No voltage contact or open collector*2 | | | |
| | Batch | No voltage contact or open collector*2 | | | |
| Output | OUT1 | No voltage contact (Mechanical relay), 250VAC 3A (Resistive load) Either the Signal recognition output*3, Control error, or Poor flow detection is selectable (default: STOP). | | | |
| | OUT2 | No voltage contact (PhotoMOS relay), AC/DC24V 0.1A Either the Sensor signal output, Synchronous output, Signal recognition output*3, Control error or Poor flow detection is selectable. | | | |
| | Analogue | 4-20mA DC (Allowable load resistance : 500Ω) | | | |
| Data logging | Total flow volume Total number of strokes (1=1000 shots) Total number of signal outputs (OUT1) Total number of signal outputs (OUT2) Total power connection time Total operating time | | | | |
| Buffer memory | Nonvolatile memory | | | | |
| Power voltage*4 | 100-240VAC 50/60Hz | | | | |

- Note 1: The setting can be changed to "operation resumption at contact input".
 Note 2: The maximum applied voltage from the pump to an external contact is 12V at 2.3mA. When using a mechanical relay, its minimum application load should be 1mA or below.
 Note 3: STOP/ Pre-STOP/ Interlock/ Batch completion outputs are separately enabled.
 Note 4: Observe the specified power voltage range. Otherwise failure may result. The allowable power voltage range is 90-264VAC

Optional accessories

Sensors

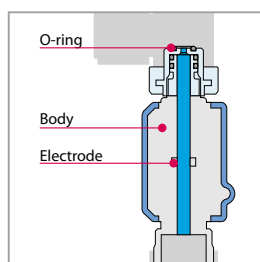
• EFS flow sensor

The EFS flow sensor is an electromagnetic flow sensor for the electromagnetic metering pump, EWN-Y series. The flow sensor can measure the volume per stroke of pulsating output without the assistance of pulsation dampeners.



• Constructions and materials

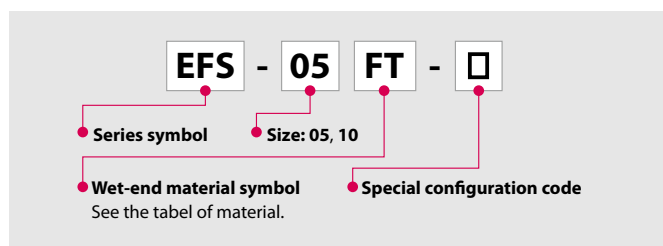
| | FT | FH | FF |
|-----------|----------|-----------------------------|-----|
| O ring | FKM | EPDM | FKM |
| Body | PVDF | | |
| Electrode | Titanium | Hastelloy C22 or equivalent | |



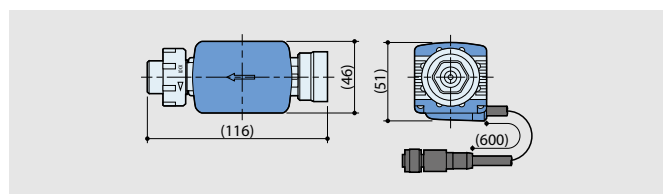
• Specifications

| | | |
|------------------|------------------------------|-------------------------------|
| Applicable pump | EFS-05 | EWN-B11, B16, B21, C16, C21-Y |
| | EFS-10 | EWN-C31, C36-Y |
| Available medium | Minimum conductivity 10mS/cm | |
| Liquid temp. | 0 to 60 °C | |

• Identification



• Dimensions in mm



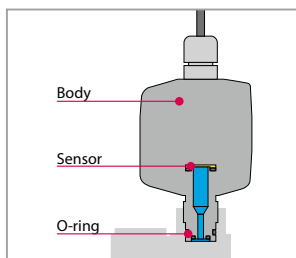
• FCP flow counter (Posi-flow)

The FCP flow counter (Posi-flow) detects the pump pulsation by a pressure sensor. This sensor can check not only the number of dosing but also abnormal pressure (Low and high) as pipe clogging, gas-lock or pipe leakage.



• Constructions and materials

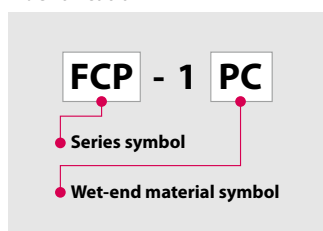
| | 1PC | 1PE | 1VC | 1VE |
|--------|---|------|-----|------|
| O ring | FKM | EPDM | FKM | EPDM |
| Body | GFRPP | | PVC | |
| Sensor | Ceramic (Al ₂ O ₃) 99.7% | | | |



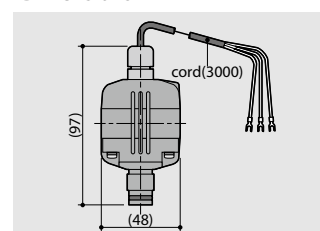
• Specifications

| | |
|--------------------------|---|
| Applicable pump | EWN-B11, B16, B21, C16, C21 |
| Operating pressure range | 0.30 to 1.0 MPa |
| Indicators | Stop / Error : LED disappears Pressure error : LED lights redly Normal operation : LED lights greenly |
| Liquid temp. | 0 to 40 °C |

• Identification



• Dimensions in mm



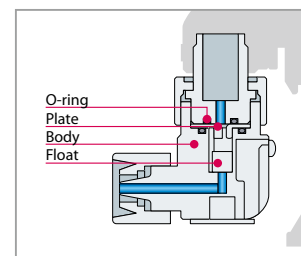
• FCM flow checker

The FCM is a simple flow checker for the electromagnetic metering pump. A magnet molded float sensor and proximity switch detects pulsation of dosing output.



• Constructions and materials

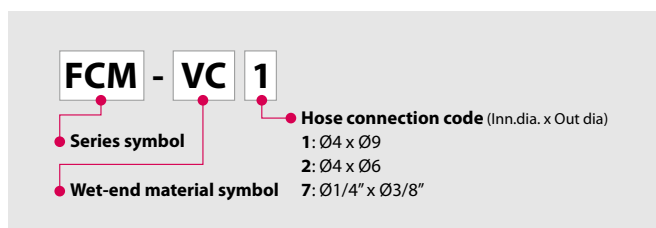
| | VC | VH |
|--------|-----|------|
| Body | PVC | |
| Float | PVC | |
| Plate | PVC | |
| O ring | FKM | EPDM |



• Specifications

| | |
|-------------------------|--|
| Power voltage | 5-24VDC |
| Max consumption current | 8 mA |
| Max load capacity | 15 mA |
| Output | NPN Open collector |
| Frequency | Max 6 Hz |
| Pulse output range | Min flow rate: 0.1 mL/shot Min discharge pressure: 0.2 MPa Max discharge pressure depends on each pump spec. Pump stroke rate: 1-360 spm Pump stroke length: Fixed to 100% (Factory setting) |

• Identification



Accessories

• Check valve CAN / CBN / CS

This has the function of a non-return valve and prevents siphon and overfeed.

CAN: Available in PVC and GFRPP.

CBN: In-line type to be connected in the middle of a hose; made of PVC.

CS: Made of stainless steel for SH type.



• Specifications

| Model | Connection | | Set pressure MPa | Material | | | Applicable pump |
|-----------------------|----------------|---------------|---------------------|-------------------|----------------|--------|------------------------------|
| | Inlet mm | Outlet mm | | Body | Spring | O-ring | |
| CAN-1VC (1V) | 4x6, 5x8 | R3/8 and R1/2 | 0.17±0.04 | PVC (GFRPP/CFRPP) | Hastelloy C276 | FKM | EWN-B09, 11, 16, 21, C16, 21 |
| CAN-1VE (1E) | 6x8, 6x12 | | | | | EPDM | |
| CAN-1VC-H (1E) | 4x9, 4x6 | | FKM | | | | |
| CAN-1VE-H(1E) | 6x8, 1/4"x3/8" | | EPDM | | | | |
| CAN-2VC (2V) | 6x12 | R3/8 and R1/2 | 0.17±0.04 | PVC (GFRPP/CFRPP) | Hastelloy C276 | FKM | EWN-C31 |
| CAN-2VE (2E) | 9x12 | | | | | EPDM | |
| CAN-2VCL (2VL) | 6x12 | | 0.05 ± 0.04 0.03 | | | FKM | |
| CAN-2VEL (2EL) | 9x12 | EPDM | | | | | |
| CBN-1VC | 4x6, 5x8 | | 0.17±0.04 | PVC | Hastelloy C276 | FKM | EWN-B09, 11, 16, 21, C16, 21 |
| CBN-1VE | 6x8, 6x12 | | | | | | |
| CS-1S | Rc1/4 | Rc1/4 | 0.2±0.03 | SUS316 | Hastelloy C276 | - | EWN-B11, 16, 21, C16, 21, 31 |
| CS-1SL | | | 0.05±0.03 | | | | EWN-B31, C36 |

• Siphon preventing valve BVC

Made of PVC or GFRPP consisting of non-metallic parts.

• Specifications

| Model | Connection | | Set pressure MPa | Material | | Applicable pump |
|--------------------------|-------------|--------------------|------------------|----------|-------------------|-----------------|
| | Inlet mm | Outlet mm | | Body | O-ring | |
| Note BVC-1 □ □ | 4x6 9x12 | R3/8 or R1/2 | 0.2 or 0.05 | PVC | FKM or EPDM | All models |

Note: Different models are available. Please contact for particulars.



• Multi-function valve MFV

This valve has the multi-function of air vent, pressure release inside pipe, pressure relief and back pressure valve.

• Specifications

| Model | Tube connection | Set pressure | | Material | Applicable pump |
|----------------|--|---------------------|--------------|--|----------------------------------|
| | | Back pressure valve | Relief valve | | |
| MFV-HTC | 4x6mm, 5x8mm, 6x8mm, 6x12mm, 9x12mm, 10x12mm, 1/4x3/8, 3/8x1/2 | 0.25±0.1 MPa | 1.25±0.2 MPa | PVDF / FEPM / PTFE+EPDM* *(Not a wet end) | EWN-B11, 16, 21, C16, 21, 31, 36 |
| MFV-MTC | | 0.25±0.1 MPa | 0.55±0.1 MPa | | |
| MFV-LTC | | 0.1±0.05 MPa | — | | |



• Foot valve FS / FSP / FSTC

This foot valve with a strainer is made of PVC or GFRPP.



• Specifications

| Model | Tube connection | Material | Applicable pump |
|-------------|-----------------|-------------------------------|-----------------|
| FSV | 4x6mm | PVC / FKM / Alumina ceramic | All models |
| FSE | 5x8mm | PVC / EPDM / HastelloyC276 | |
| FSPV | 6x8mm | GFRPP / FKM / Alumina ceramic | |
| FSPE | 6x12mm | GFRPP / EPDM / HastelloyC276 | |
| FSTC | 9x12mm | PVDF / FKM / Alumina ceramic | |
| | 10x12mm | | |

• Chemical tank EXDT

This is a polyethylene round tank.



Capacity: 35, 60, 100, 200 or 300L

• Priming set PS

Made of PVC furnished with level sensor(s) and foot valve.



• Specifications

| Model | Level switch | Connection mm | Length mm |
|-------------|--------------|---------------------------|---------------------------|
| PS-1 | Single | 4x6, 5x8, 6x8, 6x12, 9x12 | 520, 650, 810, 1000, 1350 |
| PS-2 | Double | | 520, 720, 810, 1000, 1350 |

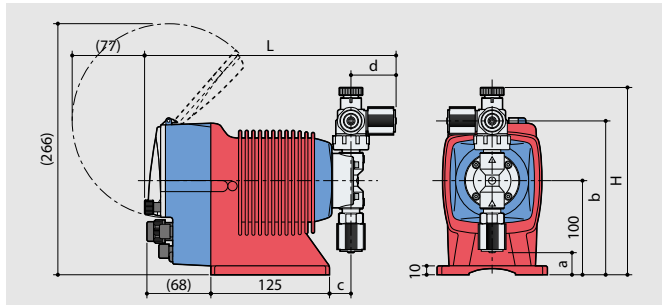
• Pulse oscillating flow meter



• Specifications

| Connection | Max. capacity | Range of pulse |
|------------|---------------------|------------------------------|
| 3/4" | 5m ³ /h | 1xOutput pulse against 0.25L |
| | | 1xOutput pulse against 0.50L |
| | | 1xOutput pulse against 1.00L |
| 1" | 12m ³ /h | 1xOutput pulse against 0.25L |
| | | 1xOutput pulse against 0.50L |
| | | 1xOutput pulse against 1.00L |
| 1 1/2" | 20m ³ /h | 1xOutput pulse against 0.25L |
| | | 1xOutput pulse against 0.50L |
| | | 1xOutput pulse against 1.00L |

Dimensions in mm

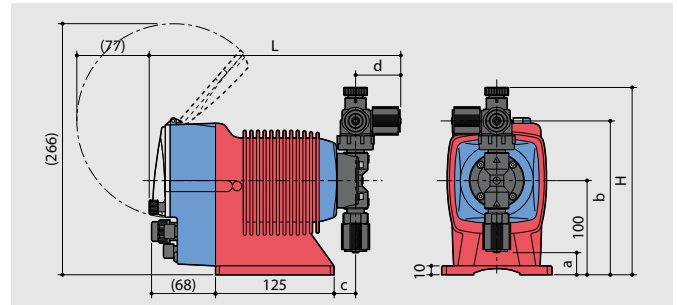


VC/VH

| Model | H | L | a | b | c | d |
|----------------|-------|-------|------|-------|------|------|
| EWN-11, 16, 21 | (199) | (265) | (24) | (164) | (23) | (47) |
| EWN-31 | (212) | (267) | (6) | (177) | (25) | (48) |
| EWN-36 | (211) | (267) | (7) | (176) | (24) | (48) |

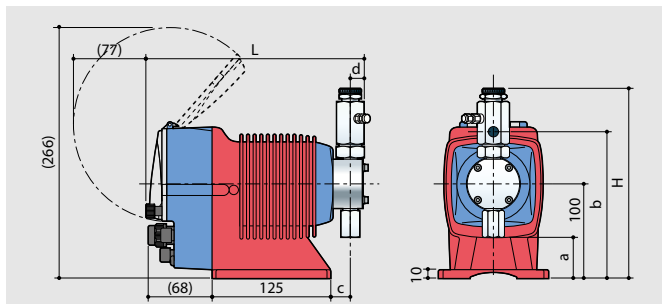
TC

| Model | H | L | a | b | c | d |
|----------------|-------|-------|------|-------|------|------|
| EWN-11, 16, 21 | (198) | (265) | (25) | (163) | (23) | (47) |
| EWN-31 | (211) | (267) | (7) | (176) | (25) | (48) |
| EWN-36 | (211) | (268) | (6) | (176) | (24) | (49) |



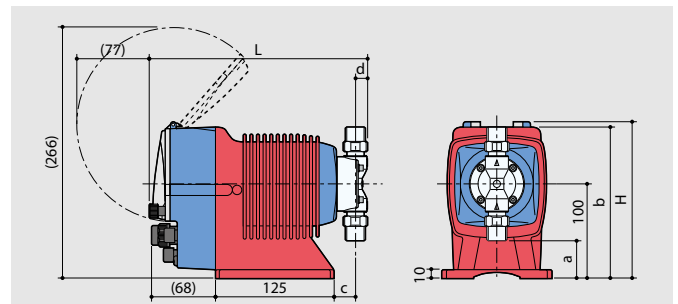
PC/PH

| Model | H | L | a | b | c | d |
|----------------|-------|-------|------|-------|------|------|
| EWN-11, 16, 21 | (199) | (265) | (24) | (164) | (23) | (47) |
| EWN-31 | (212) | (267) | (6) | (177) | (25) | (48) |
| EWN-36 | (211) | (267) | (7) | (176) | (24) | (48) |



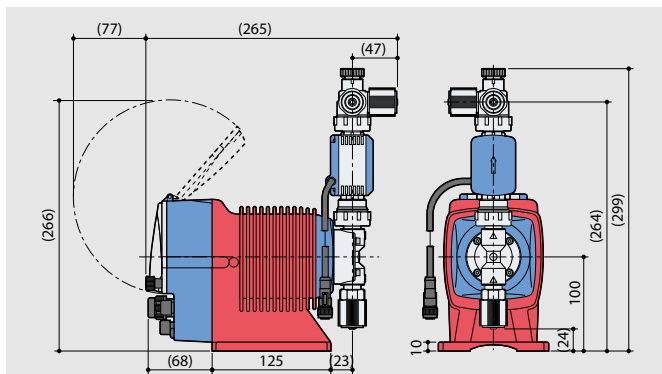
SH

| Model | H | L | a | b | c | d |
|----------------|-------|-------|------|-------|------|------|
| EWN-11, 16, 21 | (201) | (232) | (44) | (155) | (22) | (15) |
| EWN-31 | (213) | (233) | (34) | (167) | (23) | (15) |
| EWN-36 | (216) | (233) | (32) | (170) | (23) | (15) |



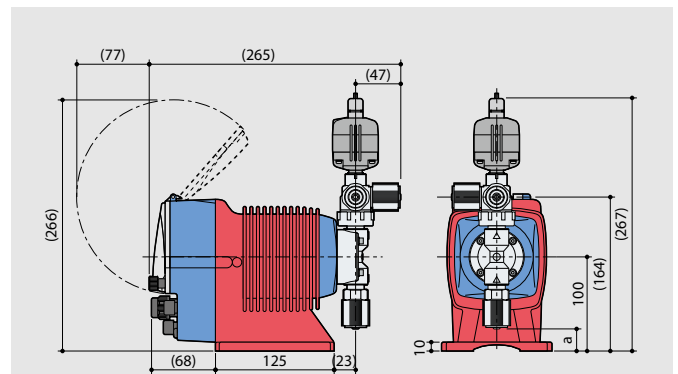
FC

| Model | H | L | a | b | c | d |
|----------------|-------|-------|------|-------|------|------|
| EWN-11, 16, 21 | (166) | (231) | (40) | (160) | (23) | (13) |
| EWN-31 | (177) | (236) | (23) | - | (25) | (16) |
| EWN-36 | (177) | (235) | (23) | - | (24) | (16) |



+EFS

| Model | H | L | a | b | c | d |
|----------------|-------|-------|------|-------|------|------|
| EWN-11, 16, 21 | (266) | (265) | (24) | (164) | (23) | (47) |
| EWN-31 | (212) | (267) | (6) | (177) | (25) | (48) |
| EWN-36 | (211) | (267) | (7) | (176) | (24) | (48) |



+FCP

| Model | H | L | a | b | c | d |
|----------------|-------|-------|------|-------|------|------|
| EWN-11, 16, 21 | (266) | (265) | (24) | (164) | (23) | (47) |
| EWN-31 | (212) | (267) | (6) | (177) | (25) | (48) |
| EWN-36 | (211) | (267) | (7) | (176) | (24) | (48) |

IWAKI CO., LTD. 6-6 Kanda-Sudacho 2-chome Chiyoda-ku Tokyo 101-8558 Japan TEL: (81)3 3254 2935 FAX: 3 3252 8892

www.iwakupumps.jp

EUROPE

- European office : IWAKI Europe GmbH
- Holland : IWAKI Europe (NL Branch)
- Belgium : IWAKI Belgium N.V.
- Denmark : IWAKI Nordic A/S
- Finland : IWAKI Suomi Oy
- France : IWAKI France S.A.
- Germany : IWAKI Europe GmbH
- Italy : IWAKI Italia S.R.L.
- Norway : IWAKI Norge AS
- Spain : IWAKI Iberica Pumps, S.A.
- Sweden : IWAKI Sverige AB
- Switzerland : IWAKI (Schweiz) AG
- U.K. : IWAKI Pumps (UK) Ltd.

- TEL: (49)2154 9254 0
- TEL: (31)547 293 160
- TEL: (32)13 67 02 00
- TEL: (45)48 24 2345
- TEL: (358)9 2745810
- TEL: (33)1 69 63 33 70
- TEL: (49)2154 9254 50
- TEL: (39)0444 371 115
- TEL: (47)23 38 49 00
- TEL: (34)943 630030
- TEL: (46)8 511 72900
- TEL: (41)26 674 93 00
- TEL: (44)1743 231363

- FAX: 2154 9254 48
- FAX: 547 292 332
- FAX: 13 67 20 30
- FAX: 48 24 2346
- FAX: 9 2742715
- FAX: 1 64 49 92 73
- FAX: 2154 9254 55
- FAX: 0444 335350
- FAX: 23 38 49 01
- FAX: 943 628799
- FAX: 8 511 72922
- FAX: 26 674 93 02
- FAX: 1743 366507

ASIA / OCEANIA / NORTH AMERICA / SOUTH AMERICA

- China : IWAKI Pumps Co., Ltd.
- Korea : IWAKI Korea Co., Ltd.
- Malaysia : IWAKI Sdn. Bhd.
- Singapore : IWAKI Singapore Pte Ltd.
- Indonesia : IWAKI Singapore (Indonesia Branch)
- Taiwan : IWAKI Pumps Taiwan Co., Ltd.
- Thailand : IWAKI (Thailand) Co., Ltd.
- Vietnam : IWAKI Pumps Vietnam Co., Ltd.
- Australia : IWAKI Pumps Australia Pty Ltd.
- U.S.A. : IWAKI America Inc.
- Argentina : IWAKI America Inc. (Argentina Branch)

- TEL: (852)2607 1168
- TEL: (82)2 2630 4800
- TEL: (60)3 7803 8807
- TEL: (65)6316 2028
- TEL: (62)21 6906606
- TEL: (886)2 8227 6900
- TEL: (66)2 322 2471
- TEL: (84)613 933456
- TEL: (61)2 9899 2411
- TEL: (1)508 429 1440
- TEL: (54)11 4745 4116

()Country codes

Caution for safety use: Before use of pump, read instruction manual carefully to use the product correctly. Actual pumps may differ from the photos. Specifications and dimensions are subject to change without prior notice. For further details please contact us.

Legal attention related to export. Our products and/or parts of products fall in the category of goods contained in control list of international regime for export control. Please be reminded that export license could be required when products are exported due to export control regulations of countries.

