

Electromagnetic metering pumps Automatic air vent type

The optimum for gaseous liquid feeding



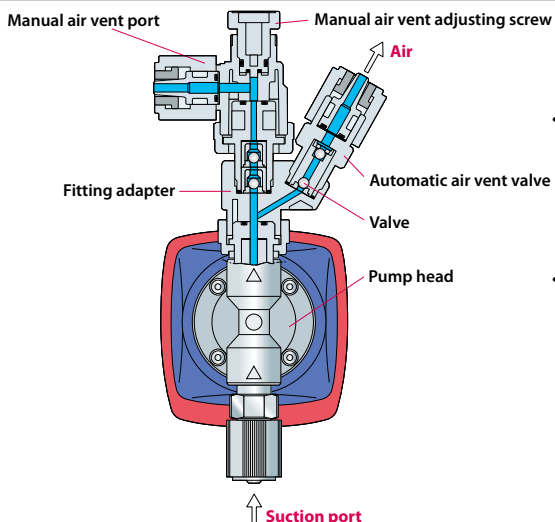
Electromagnetic metering pumps

This type equips automatic air vent mechanism. An air vent valve built-in pump chamber enables reliable air venting. Also equipped manual air vent valve enables easy pressure release in discharge piping. Gaseous liquid such as sodium hypochlorite or hydrogen peroxide can be injected without gas locking.

- Entrained air is automatically expelled from the pump head. No special degassing is needed.
- The pump immediately resumes operation without gas lock even after a long period of stoppage.
- Use the air vent port manually for quick release of discharge line pressure.
- Capable of pumping concentrated sodium hypochlorite



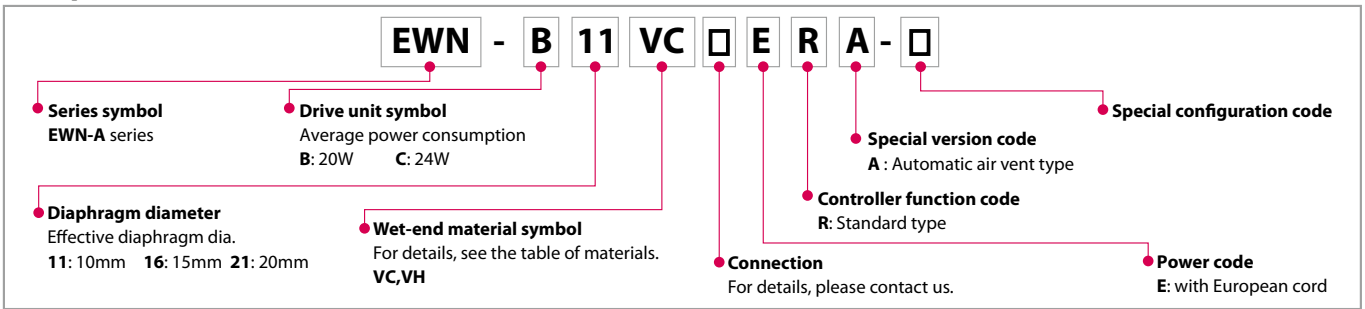
Principle of operation



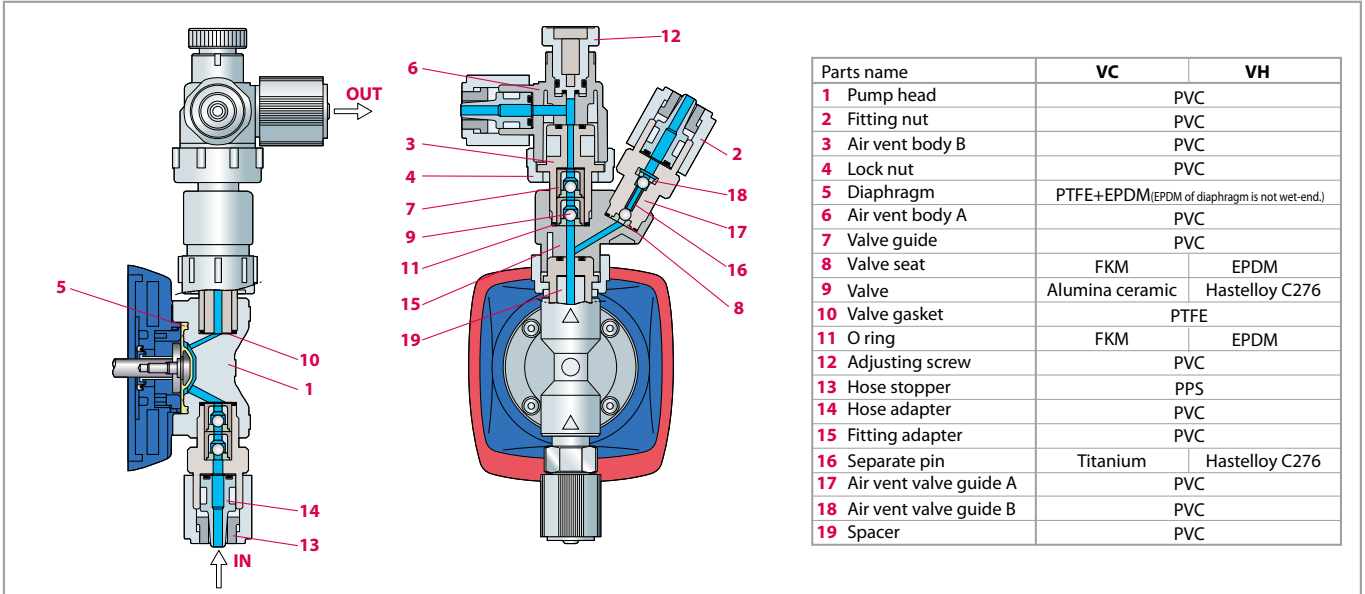
- Air which comes from suction port goes to the connection adapter through pump head. Because pump discharge side is pressurized, air goes to the automatic air vent valve which the pressure load is lower than pump discharge side, and goes out little by little together with liquid.
- Once the pump gets out of locked air condition, it returns to normal operation to discharge the liquid. A little bit of liquid is discharged from automatic bleed valve, too.



Pump identification



Wet-end materials

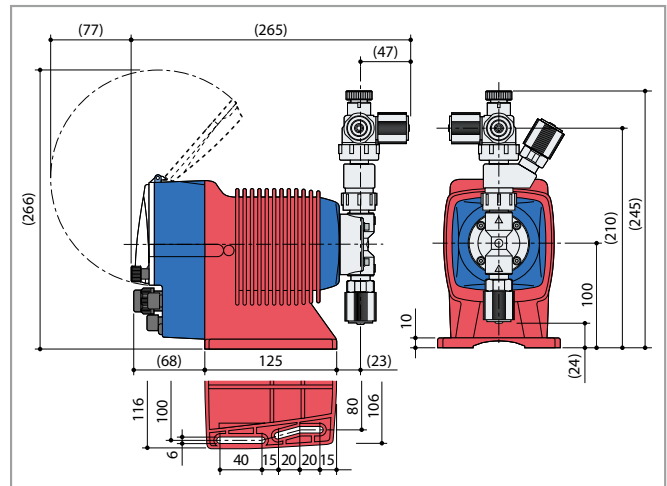


Specifications of pump

Model	EWN-B11	EWN-B16	EWN-C16	EWN-C21	
Capacity	mL/min	30	55	65	110
Discharge capacity per shot	mL/shot	0.04-0.08	0.08-0.15	0.07-0.18	0.12-0.31
Rated discharge pressure	MPa	1.0	0.7	1.0	0.7
Stroke length adjustable range	%	50-100		40-100	
Stroke rate	% (spm)	0.1-100 (1-360)			
Standard connection (Hose dia)	mm	Ø4×Ø6			
Current	A	0.8			1.2
Average power consumption	W	20			24
Power Voltage		100 - 240 VAC 50/60Hz			

- Note 1: Each discharge capacity shown above is at the discharge pressure (stroke length 100%, stroke rate 100%) and increases as a discharge pressure reduces.
- Note 2: The performance is based on pumping clean water at ambient temperature at rated voltage.
- Note 3: Liquid temperature range: VC/VH types -10 to 40 °C
Liquid characteristics must not change (viscosity, freezing or slurries contained)

Dimensions in mm



www.iwakiumps.jp

IWAKI CO., LTD. 6-6 Kanda-Sudacho 2-chome Chiyoda-ku Tokyo 101-8558 Japan TEL: (81)3 3254 2935 FAX: 3 3252 8892

EUROPE / U.S.A.

European office : IWAKI Europe GmbH
 Holland : IWAKI Europe (NL Branch)
 Austria : IWAKI (Austria) GmbH
 Belgium : IWAKI Belgium N.V.
 Denmark : IWAKI Nordic A/S
 Finland : IWAKI Suomi Oy
 France : IWAKI France S.A.
 Germany : IWAKI Europe GmbH
 Italy : IWAKI Italia S.R.L.
 Norway : IWAKI Norge AS
 Spain : IWAKI Iberica Pumps, S.A.
 Sweden : IWAKI Sverige AB
 Switzerland : IWAKI (Schweiz) AG
 U.K. : IWAKI Pumps (UK) Ltd.
 U.S.A. : IWAKI America Inc.
 Argentina : IWAKI America Inc. (Argentina Branch)

TEL: (49)2154 9254 0 FAX: 2154 9254 48
 TEL: (31)547 293 160 FAX: 547 292 332
 TEL: (41)26 674 93 00 FAX: 26 674 93 02
 TEL: (32)13 67 02 00 FAX: 13 67 20 30
 TEL: (45)48 24 2345 FAX: 48 24 2346
 TEL: (358)9 2745810 FAX: 9 2742715
 TEL: (33)1 69 63 33 70 FAX: 1 64 49 92 73
 TEL: (49)2154 9254 50 FAX: 2154 9254 55
 TEL: (39)0444 371115 FAX: 0444 335350
 TEL: (47)66 81 16 60 FAX: 66 81 16 61
 TEL: (34)943 630030 FAX: 943 628799
 TEL: (46)8 511 72900 FAX: 8 511 72922
 TEL: (41)26 674 93 00 FAX: 26 674 93 02
 TEL: (44)1743 231363 FAX: 1743 366507
 TEL: (1)508 429 1440 FAX: 508 429 1386
 TEL: (54)11 4745 4116

ASIA / OCEANIA

Australia : IWAKI Pumps Australia Pty Ltd.
 China :
 Hong Kong : IWAKI Pumps Co., Ltd.
 Shanghai : IWAKI Pumps (Shanghai) Co., Ltd.
 Guangzhou : GFTZ IWAKI Engineering & Trading Co., Ltd.
 Beijing : GFTZ Iwaki Engineering & Trading Co., Ltd. (Beijing office)
 Korea : IWAKI Korea Co., Ltd.
 Malaysia : IWAKIm Sdn. Bhd.
 Singapore : IWAKI Singapore Pte Ltd.
 Indonesia : IWAKI Singapore (Indonesia Branch)
 Taiwan : IWAKI Pumps Taiwan Co., Ltd.
 Thailand : IWAKI (Thailand) Co., Ltd.
 Vietnam : IWAKI Pumps Vietnam Co., Ltd.

()Country codes
 TEL: (61)2 9899 2411 FAX: 2 9899 2421
 TEL: (852)2607 1168 FAX: 2607 1000
 TEL: (86)21 6272 7502 FAX: 21 6272 6929
 TEL: (86)20 8435 0603 FAX: 20 8435 9181
 TEL: (86)10 6442 7713 FAX: 10 6442 7712
 TEL: (82)2 2630 4800 FAX: 2 2630 4801
 TEL: (60)3 7803 8807 FAX: 3 7803 4800
 TEL: (65)6316 2028 FAX: 6316 3221
 TEL: (62)21 6906606 FAX: 21 6906612
 TEL: (886)2 8227 6900 FAX: 2 8227 6818
 TEL: (66)2 322 2471 FAX: 2 322 2477
 TEL: (84)613 933456 FAX: 613 933399

Caution for safety use: Before use of pump, read instruction manual carefully to use the product correctly.
 Actual pumps may differ from the photos. Specifications and dimensions are subject to change without prior notice. For further details please contact us.

Legal attention related to export.

Our products and/or parts of products fall in the category of goods contained in control list of international regime for export control. Please be reminded that export license could be required when products are exported due to export control regulations of countries.

