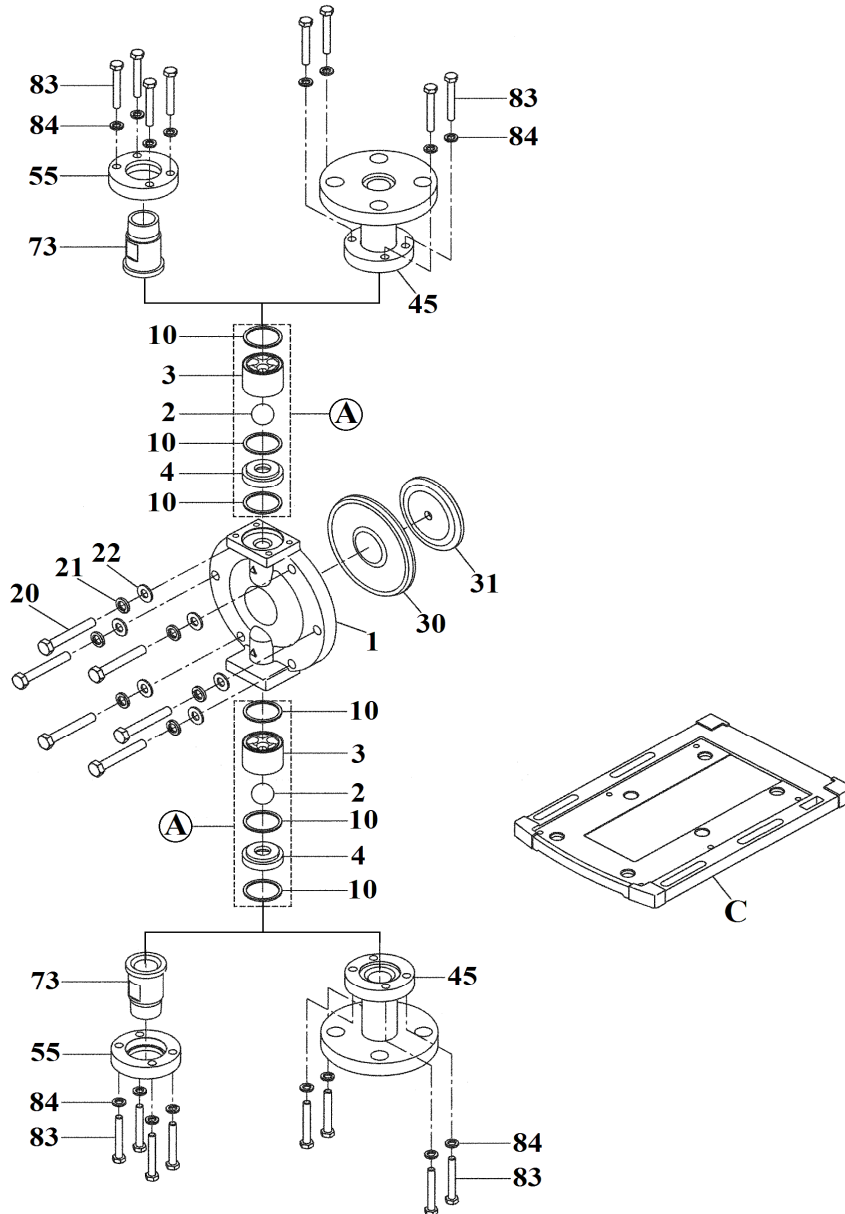


IX-D300S6 (SUS316)

No. 94-012
Oct. 01, 2015



Item	Description	Q'ty	Material	Part No.
1	Pump Head	1	SCS14	IX0127
2	Valve Ball	2	SUS316	IX0099
3	Valve Guide	2	SUS316	IX0100
4	Valve Seat	2	SUS316	IX0101
10	Valve Gasket	6	PTFE	IX0102
20	Hex. Head Bolt, M8x58	6	SUS316L	IX0128
21	Spring Washer, M8	6	SUS316L	IX0109
22	Plate Washer, M8	6	SUS316L	IX0110
30	Diaphragm	1	PTFE (+EPDM)	IX0104
31	Retainer Plate	1	SUS304	IX0105
45	Flange Unit <DN25>	FD	2 SUS316+SUS304	IX0123
55	Setting Flange	R	2 SUS316	IX0129
73	Fitting <R1>	R	2 SUS316	IX0130
83	Hex. Head Bolt, M6x55	8	SUS316L	IX0132
84	Spring Washer, M6	8	SUS316L	IX0116
A	Valve Set	2		IX0103
C	Base	1	GFRPPE	IX0136

⚠ Subject to change without prior notice! ⚠ Actual pump may differ from the exploded view!