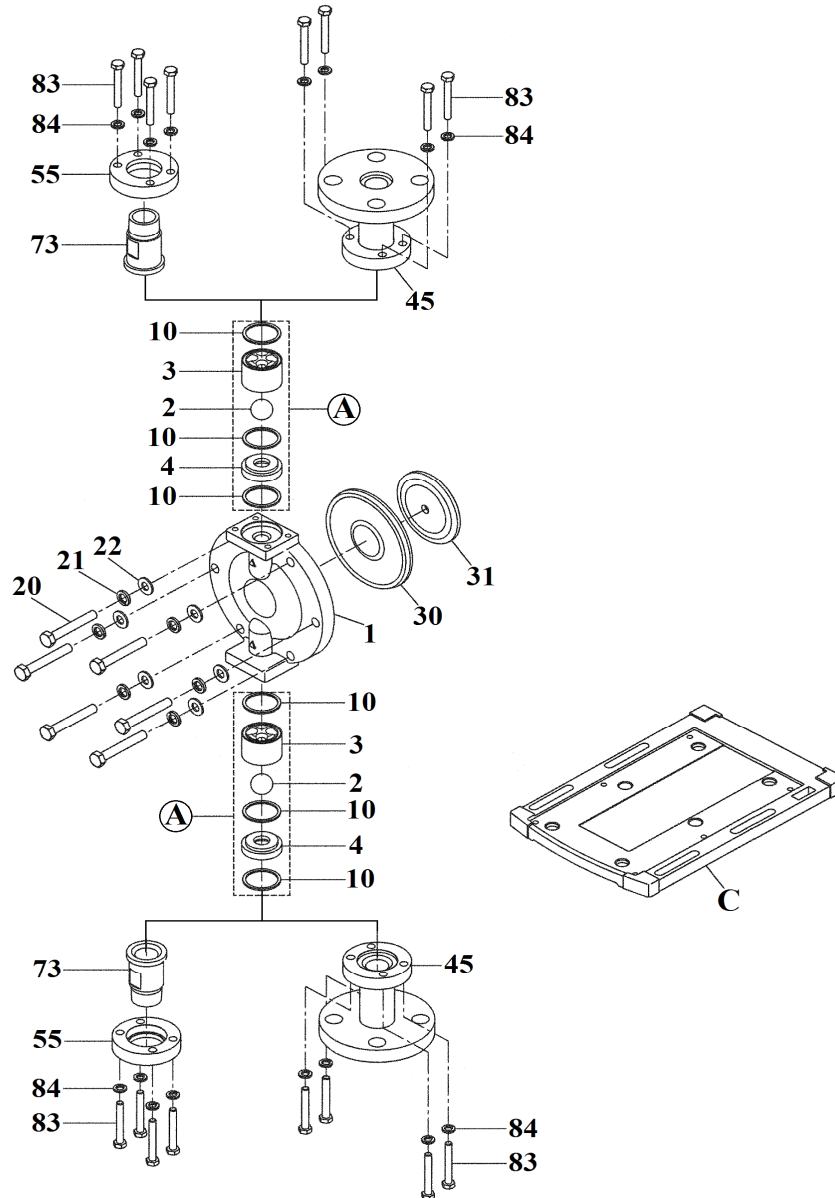


IX-D150S6 (SUS316)

No. 94-010
Oct. 01, 2015



Item	Description	Q'ty	Material	Part No.	
1	Pump Head	1	SUS316	IX0113	
2	Valve Ball	2	SUS316	IX0024	
3	Valve Guide	2	SUS316	IX0025	
4	Valve Seat	2	SUS316	IX0026	
10	Valve Gasket	6	PTFE	IX0027	
20	Hex. Head Bolt, M8x55	6	SUS316L	IX0114	
21	Spring Washer, M8	6	SUS316L	IX0109	
22	Plate Washer, M8	6	SUS316L	IX0110	
30	Diaphragm	1	PTFE (+EPDM)	IX0085	
31	Retainer Plate	1	SUS304	IX0086	
45	Flange Unit <DN20>	FD	SUS316+SUS304	IX0044	
55	Setting Flange	R	SUS304	IX0029	
73	Fitting <R3/4>	R	SUS316	IX0030	
83	Hex. Head Bolt, M6x45	8	SUS316L	IX0115	
84	Spring Washer, M6	8	SUS316L	IX0116	
A	Valve Set	2		IX0032	
C	Base	1	GFRPPE	IX0136	

⚠ Subject to change without prior notice! ⚠ Actual pump may differ from the exploded view!