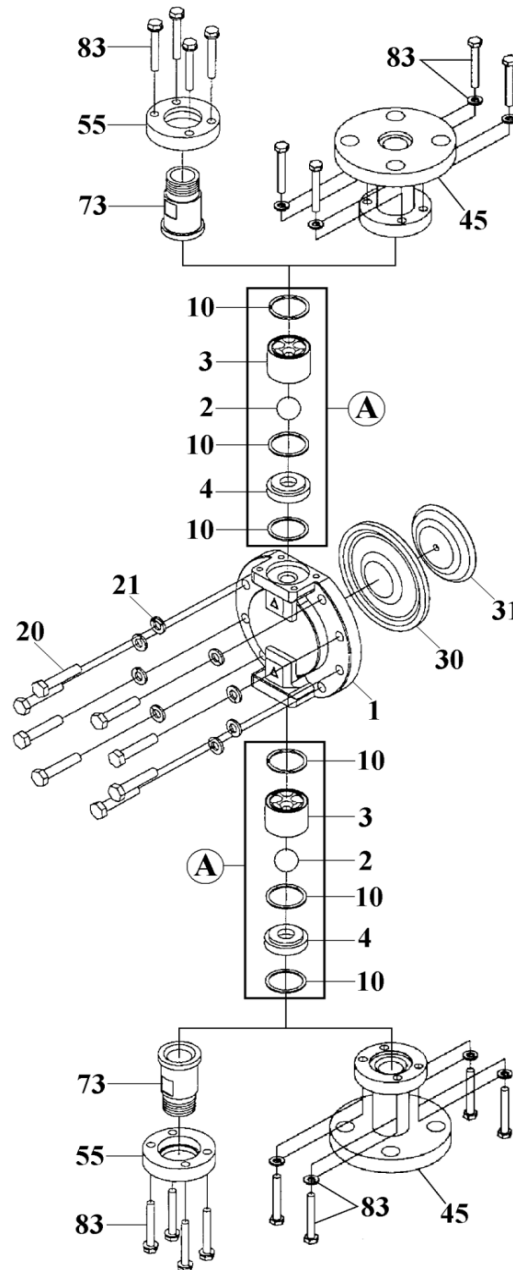


IX-C150S6 (SUS316)

No. 94-008
Apr. 01, 2014



Item	Description	Q'ty	Material	Part No.
1	Pump Head	(Old)	SUS316	IX0023
		"1"	SUS316	IX0084
2	Valve Ball	2	SUS316	IX0024
3	Valve Guide	2	SUS316	IX0025
4	Valve Seat	2	SUS316	IX0026
10	Valve Gasket	6	PTFE	IX0027
20	Hex. Head Bolt, M8x40	8	SUS304 equivalent	IX0028
21	Spring Washer, M8	8	SUS304 equivalent	IX0011
30	Diaphragm	1	PTFE (+EPDM)	IX0014
31	Retainer Plate	1	SUS304	IX0015
45	Flange Unit <DN20>	FD	SUS316+SUS304	IX0044
55	Setting Flange	R	SUS304	IX0029
73	Fitting <R3/4>	R	SUS316	IX0030
83	Hex. Bolt with S.W., M6x45	8	SUS304 equivalent	IX0031
A	Valve Set	2		IX0032

△ Subject to change without prior notice! △ Actual pump may differ from the exploded view!