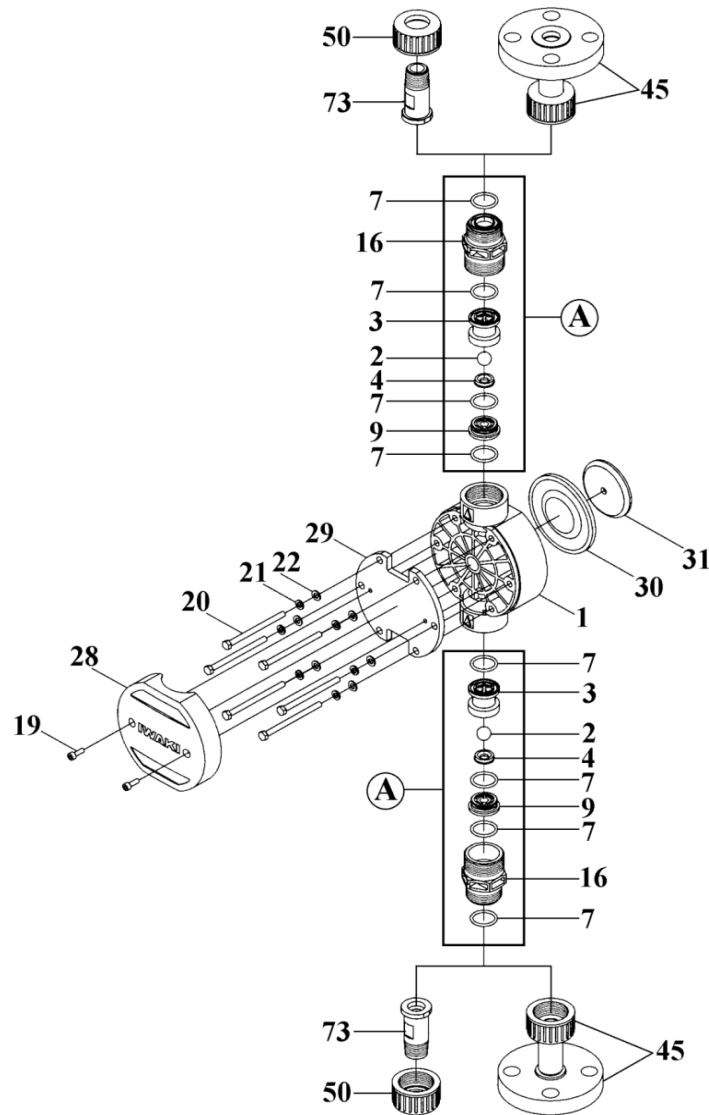


# IX-C060T (PVDF)

No. 94-005  
Apr. 01, 2014



Item	Description	Q'ty	Material	Part No.	
1	<b>Pump Head</b>	1	PVDF	<b>IX0046</b>	
2	<b>Valve Ball</b>	2	Alumina Ceramic	<b>IX0047</b>	
3	<b>Valve Guide</b>	2	PVDF	<b>IX0048</b>	
4	<b>Valve Seat</b>	<b>TC</b>	2	FKM-A	<b>IX0049</b>
		<b>TE</b>	2	EPDM	<b>IX0050</b>
7	<b>O-Ring, P-20</b>	<b>TC</b>	8	FKM-A	<b>IX0051</b>
		<b>TE</b>	8	EPDM	<b>IX0052</b>
9	<b>Seat Holder</b>	2	PVDF	<b>IX0053</b>	
16	<b>Adapter</b>	2	PVDF	<b>IX0054</b>	
19	<b>Cap Bolt, M4x12</b>	2	SUS304 equivalent	<b>IX0055</b>	
20	<b>Hex. Head Bolt, M5x70</b>	6	SUS316L	<b>IX0056</b>	
21	<b>Spring Washer, M5</b>	6	SUS316 equivalent	<b>IX0057</b>	
22	<b>Plate Washer, M5</b>	6	SUS316 equivalent	<b>IX0058</b>	
28	<b>Bolt Cover</b>	1	GFRPPE	<b>IX0059</b>	
29	<b>Reinforcing Plate</b>	1	Steel	<b>IX0060</b>	
30	<b>Diaphragm</b>	1	PTFE (+EPDM)	<b>IX0061</b>	
31	<b>Retainer Plate</b>	1	SUS304	<b>IX0062</b>	
45	<b>Flange Unit &lt;DN15&gt;</b>	<b>FD</b>	2	PVDF+GFRPP	<b>IX0064</b>
50	<b>Nut</b>	<b>R</b>	2	PVDF	<b>IX0066</b>
73	<b>Fitting &lt;R1/2&gt;</b>	<b>R</b>	2	PVDF	<b>IX0067</b>
A	<b>Valve Set</b>	<b>TC</b>	2	CE+PVDF+FKM-A	<b>IX0069</b>
		<b>TE</b>	2	CE+PVDF+EPDM	<b>IX0070</b>

△ Subject to change without prior notice!    △ Actual pump may differ from the exploded view!