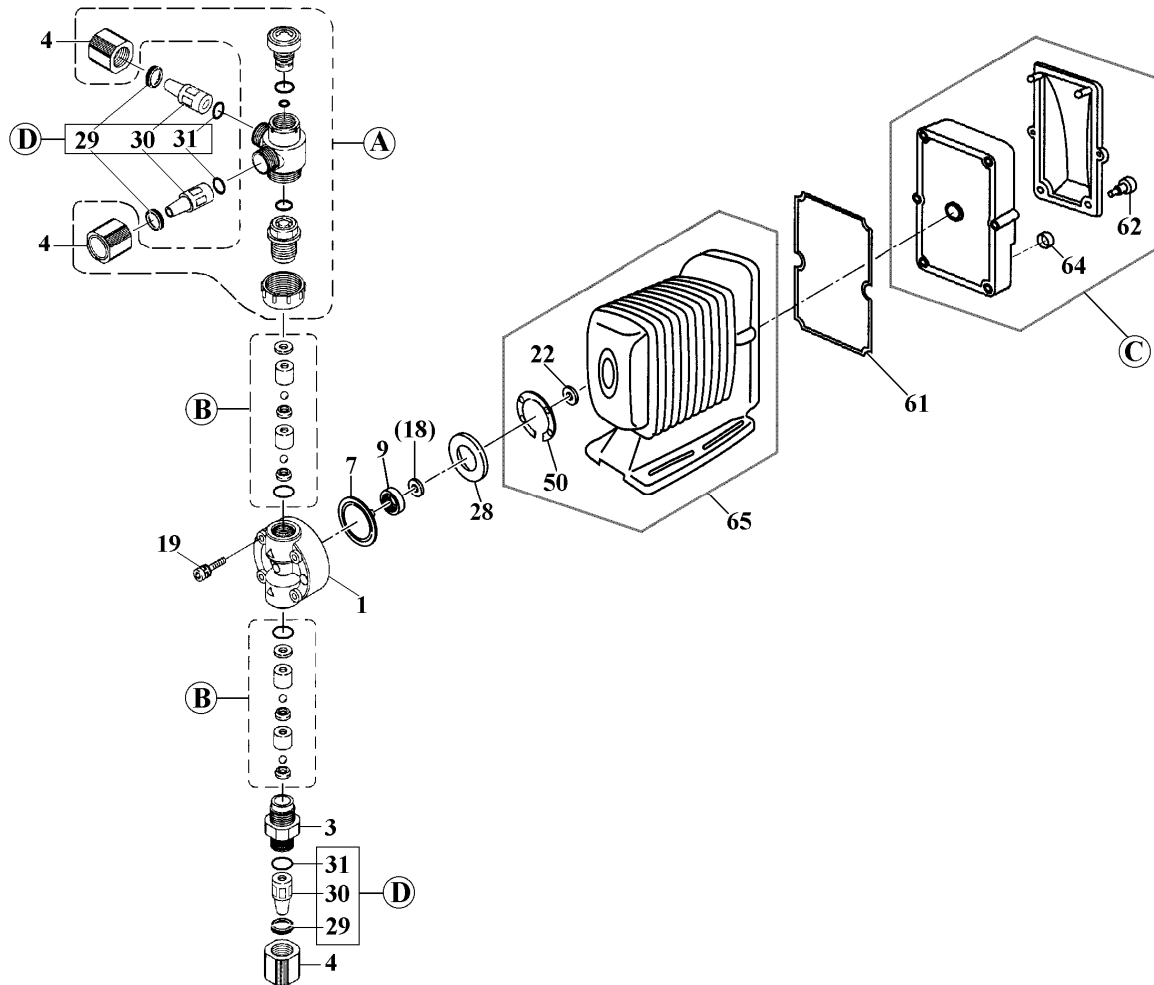


# EWN-B11-V <PVC>

No. 92-002  
July 01, 2010



Item	Description	Q'ty	Material	Part No.
1	Pump Head		PVC	EH2015
		"C"	PVC	EW0402
3	Fitting	1	PVC	EWN0005
4	Fitting Nut	3	PVC	EWN0010
7	Diaphragm	1	PTFE	EH1971
9	Retainer	1	PPS	EH0059
*18	Spacer	t:0,1mm	* Brass	EH1206
		t:0,2mm	* Brass	EH0030
		t:0,3mm	* Brass	EH0036
		t:0,5mm	* Brass	EH0037
		t:0,7mm	* Brass	EH0279
19	Cap Bolt (M4x35)	4	SUS316L	EH1986
22	Diaphragm Seal	1	EPDM	EH1888
28	Bracket Spacer	1	GFRPPE	EH1690
29	Hose Stopper	4x6mm	3 GFRPPS	EWN0042
		5x8mm	3 GFRPPS	EWN0043
		6x8mm	3 GFRPPS	↑
		6x12mm	3 GFRPPS	EWN0047
30	Hose Adaptor	4x6mm	3 PVC	EWN0011
		5x8mm	3 PVC	↑
		6x8mm	3 PVC	EWN0012
		6x12mm	3 PVC	↑
31	O-Ring P-9	VC	3 FKM-A	EWN0057
		VH	3 EPDM	EW0051

Item	Description	Q'ty	Remark	Part No.
50	Pump Head Gasket	1	EPDM	EW0041
61	Controller Gasket	1	EPDM	EW0049
*62	Thumb Bolt	2	PPE	EW0307
64	Cap (DIN Connector)	2	EPDM	EW0149
65	Drive Unit	1		EWN0083
A	Air Vent Valve Set	VC	1	EWN0133
		VH	1	EWN0139
B	Valve Set	VC	2	EH0062
		VH	2	EH0064
C	Control Unit	"R"	1 BER	EWN0058
			1 BER-C	EWN0062
		"WPO"	1 WPO	EWN0153
			1 WPO-C	
		"WEC"	1 WEC	EWN0154
			1 WEC-C	
"WCT"	1 WCT	EWN0138		
	1 WCT-C			
D	Connector Set [29+30+31]	4x6mm	3 VC	EWN0142
			3 VH	EWN0143
		6x8mm	3 VC	EWN0144
			3 VH	EWN0145
		5x8mm	3 VC	EWN0141
		6x12mm	3 VC	EWN0135

\*Notes: (1) "Spacer" (Item 18) ⇔ None or one or more spacers is required for a pump.

(2) "Thumb Bolt" (Item 62) is not furnished for EWN-"W" models.

⚠ Subject to change without prior notice! ⚠ Actual pump may differ from the exploded view!