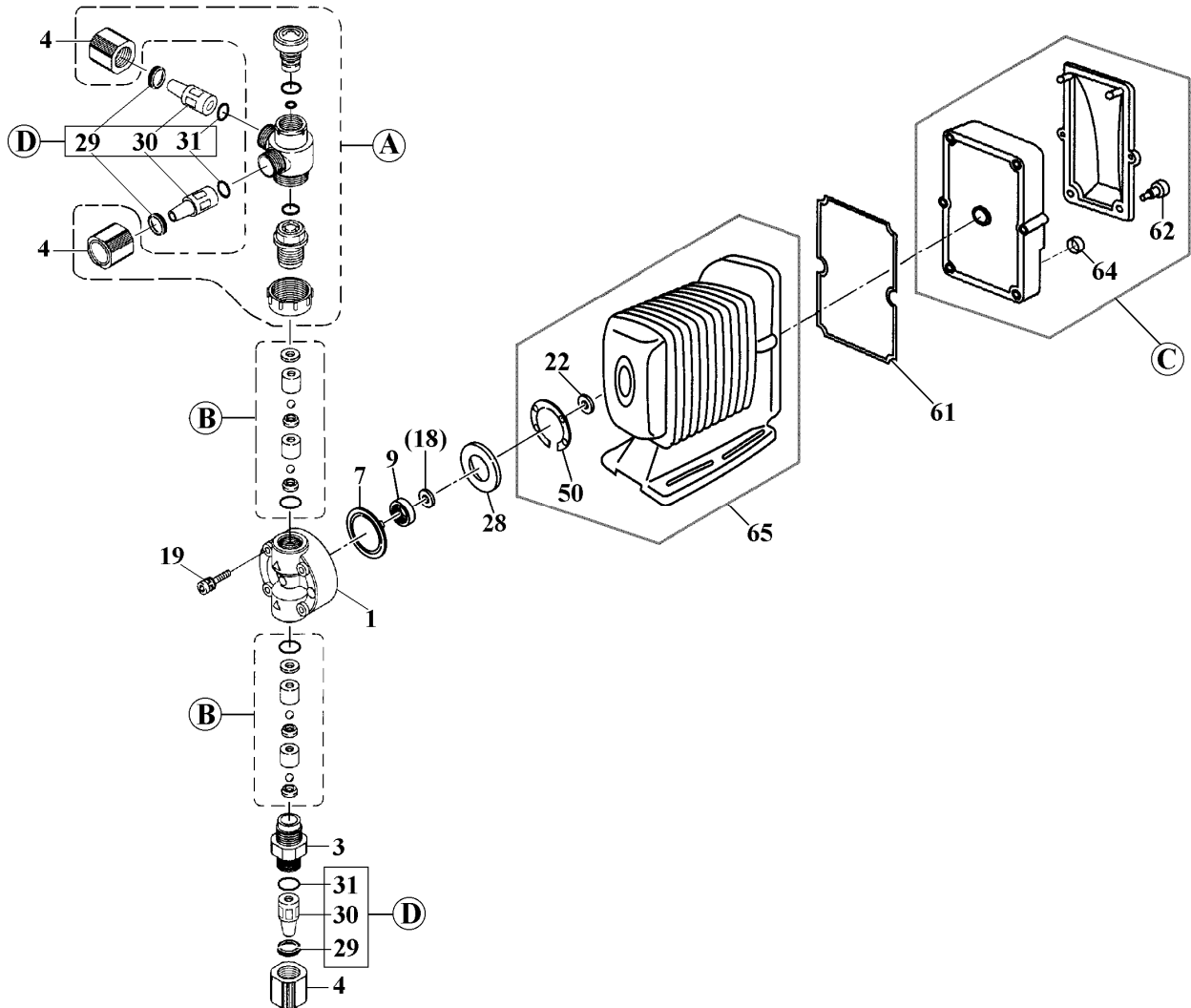


EWN-B09-V-C <PVC>

No. 92-001
July 01, 2010



Item	Description	Q'ty	Material	Part No.	
1	Pump Head	1	PVC	EWN0052	
3	Fitting	1	PVC	EWN0005	
4	Fitting Nut	3	PVC	EWN0010	
7	Diaphragm	1	PTFE	EWN0076	
9	Retainer	1	PPS	EW0010	
*18	Spacer	t:0,1mm	* Brass	EH1206	
		t:0,2mm	* Brass	EH0030	
		t:0,3mm	* Brass	EH0036	
		t:0,5mm	* Brass	EH0037	
		t:0,7mm	* Brass	EH0279	
19	Cap Bolt (M4x35)	4	SUS316L	EH1986	
22	Diaphragm Seal	1	EPDM	EH1888	
28	Bracket Spacer	1	GFRPPE	EWN0082	
29	Hose Stopper	4x6mm	3	GFRPPS	EWN0042
		5x8mm	3	GFRPPS	EWN0043
		6x8mm	3	GFRPPS	↑
		6x12mm	3	GFRPPS	EWN0047
30	Hose Adaptor	4x6mm	3	PVC	EWN0011
		5x8mm	3	PVC	↑
		6x8mm	3	PVC	EWN0012
		6x12mm	3	PVC	↑

Item	Description	Q'ty	Remark	Part No.	
31	O-Ring P-9	VC	3	FKM-A	EWN0057
		VH	3	EPDM	EW0051
50	Pump Head Gasket	1	EPDM	EW0041	
61	Controller Gasket	1	EPDM	EW0049	
*62	Thumb Bolt	2	PPE	EW0307	
64	Cap (DIN Connector)	2	EPDM	EW0149	
65	Drive Unit	1		EWN0083	
A	Air Vent Valve Set	VC	1		EWN0133
		VH	1		EWN0139
B	Valve Set	VC	2		EH0062
		VH	2		EH0064
C	Control Unit	"R"	1	BER-C	EWN0062
		"WPO"	1	WPO-C	
		"WEC"	1	WEC-C	
		"WCT"	1	WCT-C	
D	Connector Set [29+30+31]	4x6mm	3	VC	EWN0142
			3	VH	EWN0143
		6x8mm	3	VC	EWN0144
			3	VH	EWN0145
		5x8mm	3	VC	EWN0141
6x12mm	3	VC	EWN0135		

*Notes: (1) "Spacer" (Item 18) ⇒ None or one or more spacers is required for a pump.

(2) "Thumb Bolt" (Item 62) is not furnished for EWN-"W" models.

△ Subject to change without prior notice! △ Actual pump may differ from the exploded view!