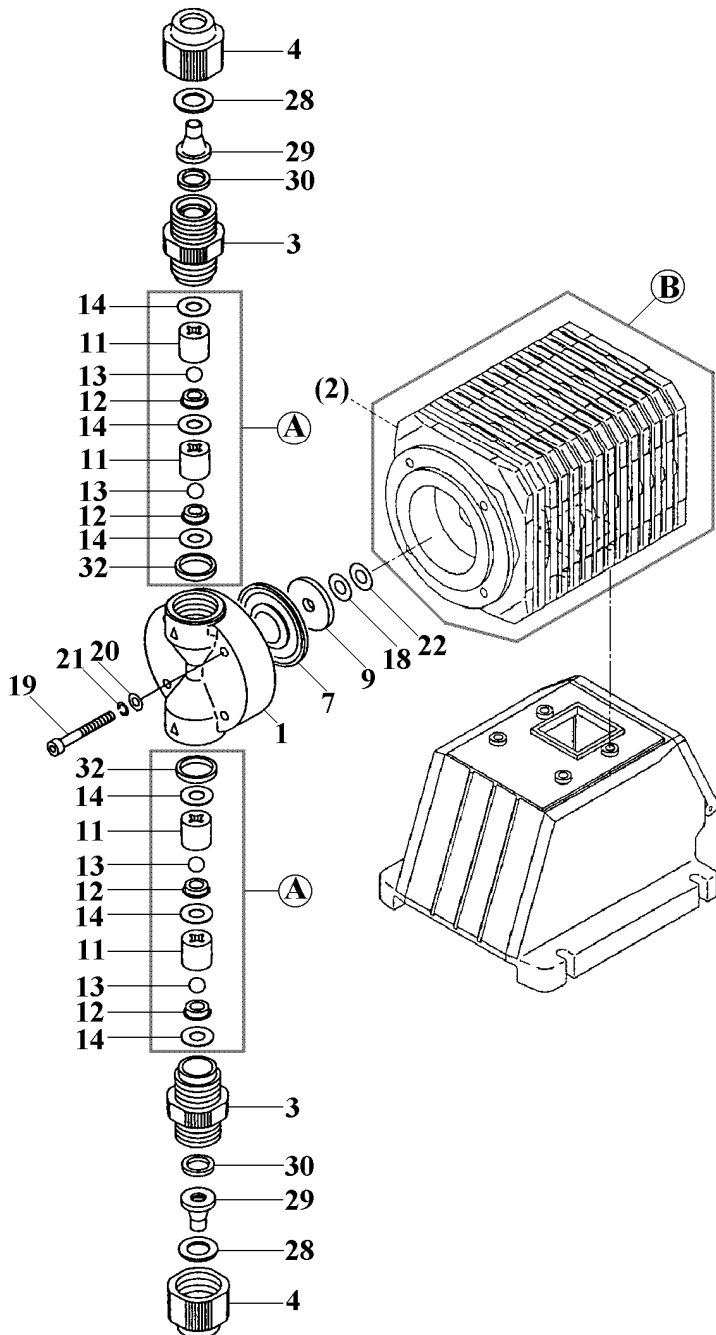


# EH-E31•E36-FC\* (PvdF)



No. 83-1176R1  
Aug 2009

Item	Description	Material	Q'ty	EH-E31*FC*		EH-E36*FC*	
				Part No.		Part No.	
1	Pump Head	PvdF	1	EH2103		EH1967	
(2)	Bracket	GFRPPE	1	EH1742		EH1743	
3	Fitting	PvdF	2	EH0947		↔	
4	Fitting Nut	PvdF	2	EH0933		↔	
7	Diaphragm	PTFE	1	EH2105		EH2108	
9	Retainer	Steel	1	EH0622		EH0637	
*11	Valve Guide	PvdF	4	EH0612		EH0352	
12	Valve Seat	PCTFE	4	EH0593		↔	
13	Valve Ball	Ceramic	4	EH0120		↔	
14	Valve Gasket	PTFE	6	EH0354		↔	
*18	Spacer	t: 0,2 mm	Brass	*	EH0625		↔
		t: 0,3 mm	Brass	*	EH0626		↔
		t: 0,5 mm	Brass	*	EH0627		↔
		t: 0,7 mm	Brass	*	EH0279		↔
19	Hex. Cap Bolt	M5x40	SUS316L	4	EH2106		↔
20	Plate Washer	M5	SUS316	4	EH2011		↔
21	Spring Washer	M5	SUS316L	4	EH2012		↔
22	Diaphragm Seal		EPDM	1	EH1861		↔
28	Hose Stopper	10x12mm	SUS304	2	EH0694		↔
29	Fitting Spacer	10x12mm	PvdF	2	EH0937		↔
30	Gasket		PTFE	2	EH0939		↔
32	Gasket		PTFE	2	EH0355		↔
B	Drive Unit (20E)			1	EH1755		EH1758
A	Valve Set			2	EH1167		EH0952

\*Note: None or one or more spacers is required for a pump.

⚠ Subject to change without prior notice! ⚠ Actual pump may differ from the exploded view!