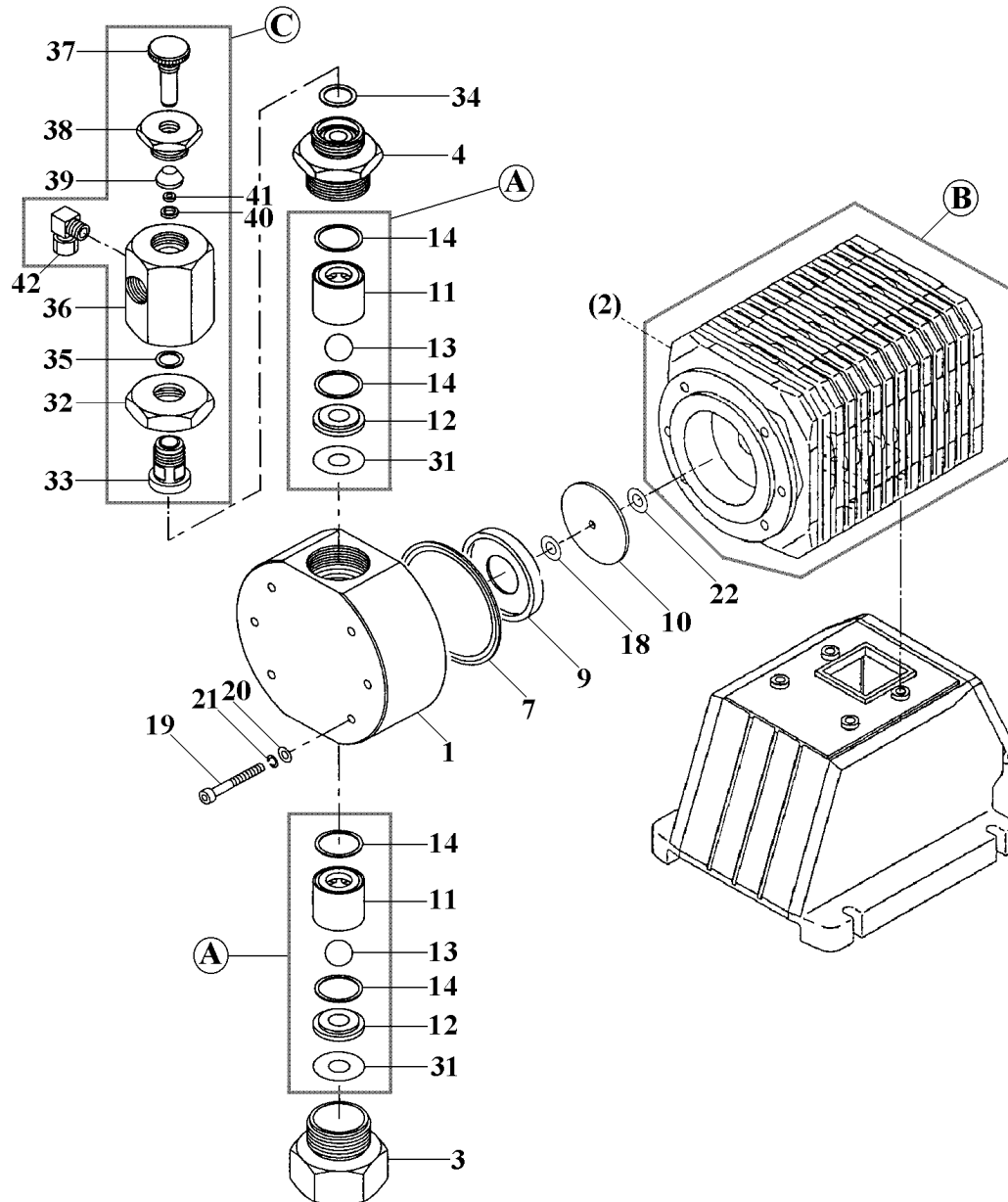


# EH-E56-\*SH\* (SUS316)

No. 83-0181R1  
Aug 2009



Item	Description	Material	Q'ty	Part No.	
1	<b>Pump Head</b>	SUS316	1	EH2117	
(2)	<b>Bracket</b>	GFRPPE	1	EH1745	
3	<b>Suction Fitting</b>	Rc <sup>3</sup> / <sub>8</sub>	1	EH0962	
4	<b>Discharge Fitting</b>	SUS316	1	EH0964	
7	<b>Diaphragm</b>	PTFE	1	EH2119	
9	<b>Retainer</b>	PPS	1	EH0660	
10	<b>Backup Retainer</b>	Steel	1	EH0659	
11	<b>Valve Guide</b>	SUS316	2	EH0965	
12	<b>Valve Seat</b>	SUS316	2	EH0966	
13	<b>Valve Ball</b>	H.C276	2	EH0992	
14	<b>Valve Gasket</b>	PTFE	4	EH0968	
*18	<b>Spacer</b>	t: 0,2 mm	Brass	*	EH0625
		t: 0,3 mm	Brass	*	EH0626
		t: 0,5 mm	Brass	*	EH0627
		t: 0,7 mm	Brass	*	EH0279
19	<b>Hex. Cap Bolt</b>	M5x70	S6 equiv.	6	EH2120
20	<b>Plate Washer</b>	M5	SUS316	6	EH2011
21	<b>Spring Washer</b>	M5	SUS316L	6	EH2012
22	<b>Diaphragm Seal</b>	EPDM	1	EH1861	
31	<b>Gasket</b>	PTFE	2	EH0969	
32	<b>Nut</b>	SUS316	1	EH0970	
33	<b>Fitting</b>	SUS316	1	EH0971	
34	<b>Fitting Gasket</b>	PTFE	1	EH0972	
35	<b>Air Vent Gasket</b>	PTFE	1	EH0973	
36	<b>Air Vent Body</b>	Rc <sup>3</sup> / <sub>8</sub>	SUS316	1	EH0974
37	<b>Adjusting Screw</b>	SUS316	1	EH0976	
38	<b>Seal Nut</b>	SUS316	1	EH0977	
39	<b>Seal Ring</b>	PTFE	1	EH0978	
40	<b>Air Vent Seat</b>	PTFE	1	EH0979	
41	<b>Seat Ring</b>	SUS316	1	EH0980	
42	<b>Tube Connector (Ø10mm)</b>	PTFE	1	EH1045	
B	<b>Drive Unit (20E)</b>		1	EH1764	
C	<b>Air Vent Valve Set (Rc<sup>3</sup>/<sub>8</sub>)</b>		1	EH0959	
A	<b>Valve Set</b>		2	EH0958	

\*Note: None or one or more spacers is required for a pump.

△Subject to change without prior notice! △Actual pump may differ from the exploded view!