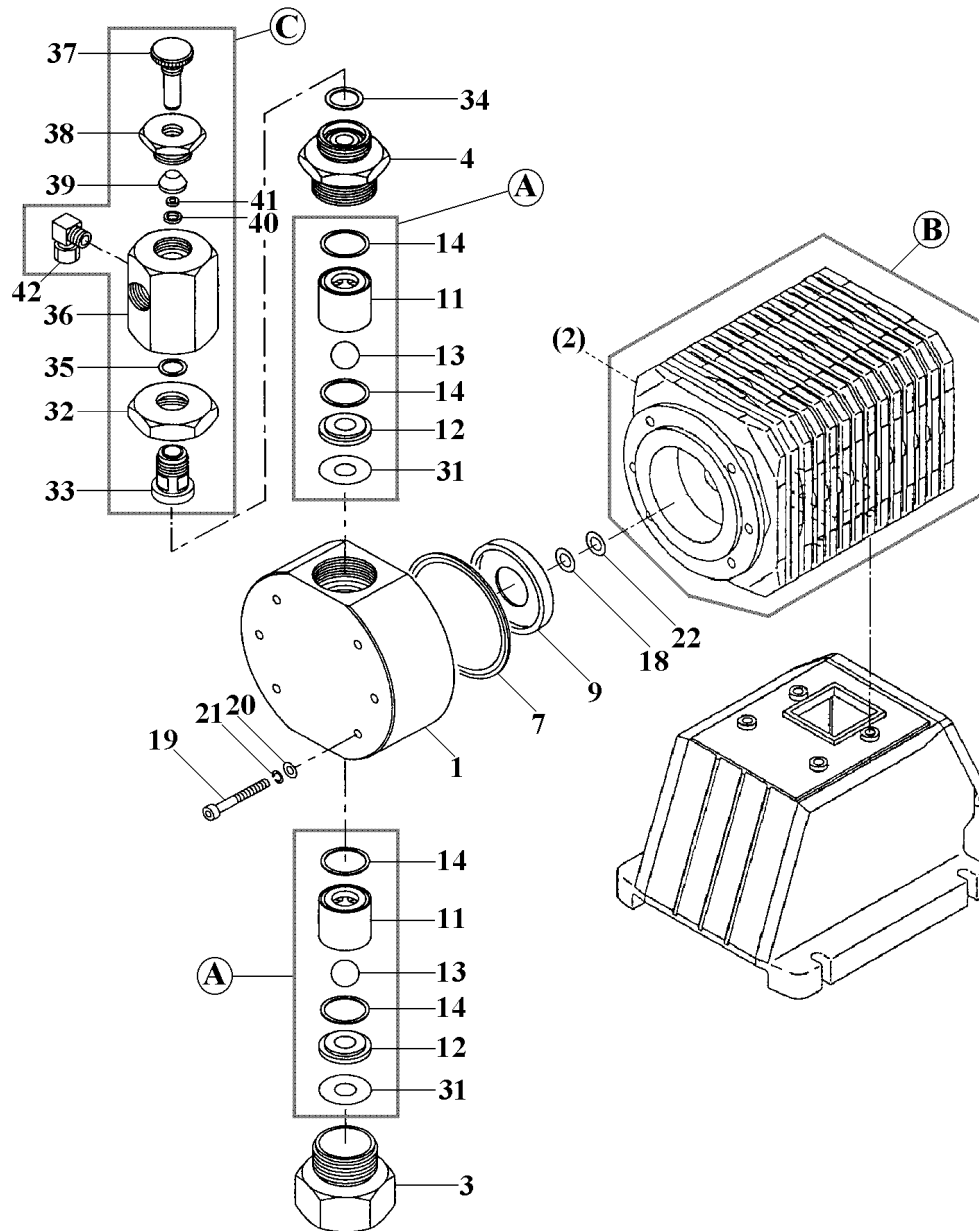


EH-E46-*SH* (SUS316)

No. 83-0180R1
Aug 2009



Item	Description	Material	Q'ty	Part No.	
1	Pump Head	SUS316	1	EH2112	
(2)	Bracket	GFRPPE	1	EH1744	
3	Suction Fitting	Rc%	SUS316	1	EH0987
4	Discharge Fitting	SUS316	1	EH0989	
7	Diaphragm	PTFE	1	EH2113	
9	Retainer	Steel	1	EH0642	
11	Valve Guide	SUS316	2	EH0990	
12	Valve Seat	SUS316	2	EH0991	
13	Valve Ball	H.C276	2	EH0992	
14	Valve Gasket	PTFE	4	EH0993	
*18	Spacer	t: 0,2 mm	Brass	*	EH0625
		t: 0,3 mm	Brass	*	EH0626
		t: 0,5 mm	Brass	*	EH0627
		t: 0,7 mm	Brass	*	EH0279
19	Hex. Cap Bolt	M5x60	SUS316L	6	EH2122
20	Plate Washer	M5	SUS316	6	EH2011
21	Spring Washer	M5	SUS316L	6	EH2012
22	Diaphragm Seal	EPDM	1	EH1861	
31	Gasket	PTFE	2	EH0995	
32	Nut	SUS316	1	EH0970	
33	Fitting	SUS316	1	EH0971	
34	Fitting Gasket	PTFE	1	EH0972	
35	Air Vent Gasket	PTFE	1	EH0973	
36	Air Vent Body	Rc%	SUS316	1	EH0974
37	Adjusting Screw	SUS316	1	EH0976	
38	Seal Nut	SUS316	1	EH0977	
39	Seal Ring	PTFE	1	EH0978	
40	Air Vent Seat	PTFE	1	EH0979	
41	Seat Ring	SUS316	1	EH0980	
42	Tube Connector (Ø10mm)	PTFE	1	EH1045	
B	Drive Unit (20E)		1	EH1761	
C	Air Vent Valve Set (Rc%)		1	EH0959	
A	Valve Set		2	EH0985	

*Note: None or one or more spacers is required for a pump.

△ Subject to change without prior notice! △ Actual pump may differ from the exploded view!