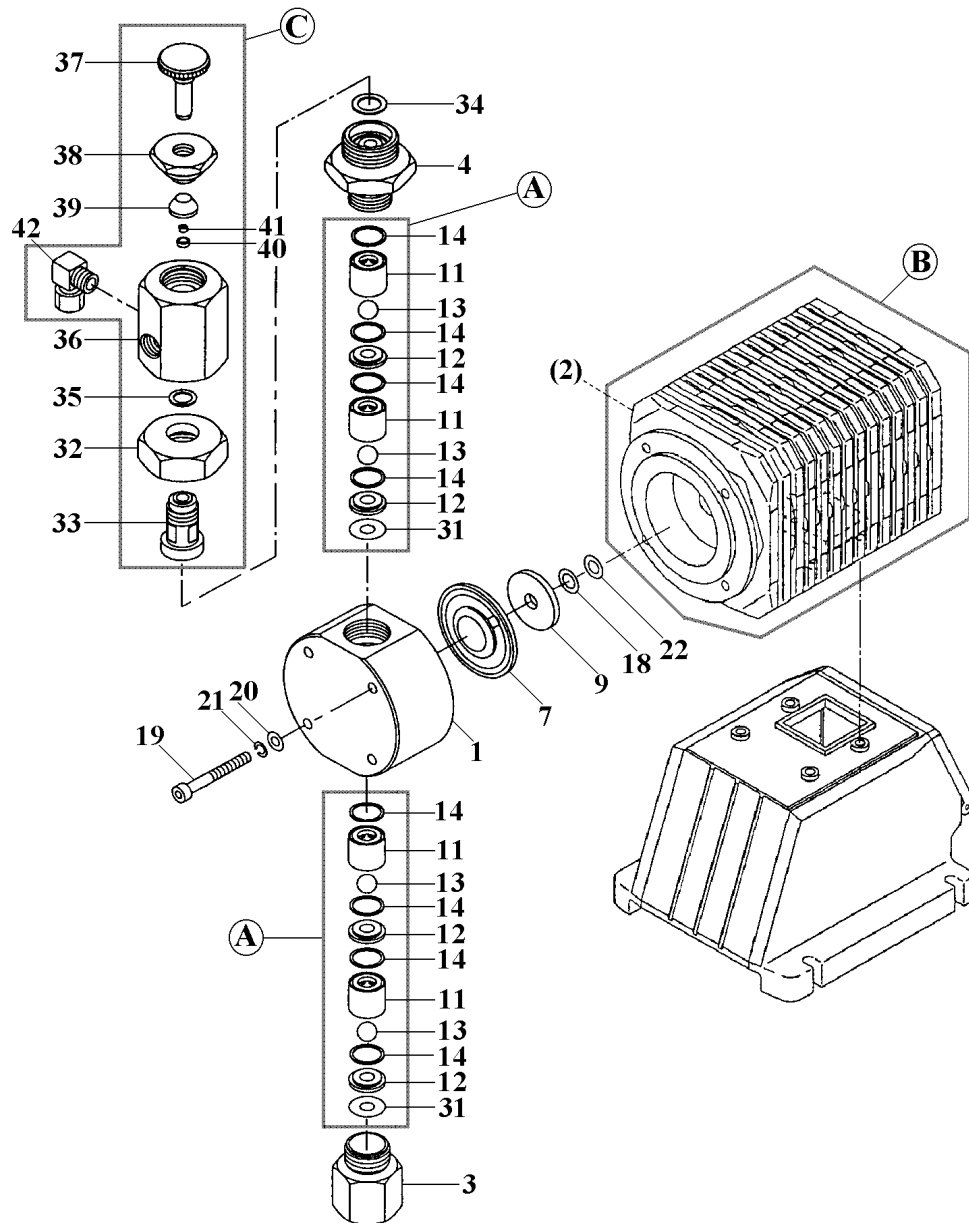


# EH-E31•E36-*\*SH\** (SUS316)

No. 83-0179R1

Aug 2009



Item	Description	Material	Q'ty	EH-E31*SH*		EH-E36*SH*	
				Part No.		Part No.	
1	<b>Pump Head</b>	SUS316	1	EH2104		EH2107	
(2)	<b>Bracket</b>	GFRPPE	1	EH1742		EH1743	
3	<b>Suction Fitting</b>	Rc1/4 SUS316	1	EH0377		↔	
4	<b>Discharge Fitting</b>	SUS316	1	EH1004		↔	
7	<b>Diaphragm</b>	PTFE	1	EH2105		EH2108	
9	<b>Retainer</b>	Steel	1	EH0622		EH0637	
11	<b>Valve Guide</b>	SUS316	4	EH1005		↔	
12	<b>Valve Seat</b>	SUS316	4	EH1006		↔	
13	<b>Valve Ball</b>	H.C276	4	EH0126		↔	
14	<b>Valve Gasket</b>	PTFE	8	EH0382		↔	
*18	<b>Spacer</b>	t: 0,2 mm	Brass	*	EH0625		↔
		t: 0,3 mm	Brass	*	EH0626		↔
		t: 0,5 mm	Brass	*	EH0627		↔
		t: 0,7 mm	Brass	*	EH0279		↔
19	<b>Hex. Cap Bolt</b>	M5x55 S6 equiv.	4	EH2054		↔	
20	<b>Plate Washer</b>	M5 SUS316	4	EH2011		↔	
21	<b>Spring Washer</b>	M5 SUS316L	4	EH2012		↔	
22	<b>Diaphragm Seal</b>	EPDM	1	EH1861		↔	
31	<b>Gasket</b>	PTFE	2	EH0380		↔	
32	<b>Nut</b>	SUS316	1	EH1008		↔	
33	<b>Fitting</b>	SUS316	1	EH1009		↔	
34	<b>Fitting Gasket</b>	PTFE	1	EH1010		↔	
35	<b>Air Vent Gasket</b>	PTFE	1	EH1011		↔	
36	<b>Air Vent Body</b>	Rc1/4 SUS316	1	EH1012		↔	
37	<b>Adjusting Screw</b>	SUS316	1	EH1014		↔	
38	<b>Seal Nut</b>	SUS316	1	EH1015		↔	
39	<b>Seal Ring</b>	PTFE	1	EH1016		↔	
40	<b>Air Vent Seat</b>	PTFE	1	EH1017		↔	
41	<b>Seat Ring</b>	SUS316	1	EH1018		↔	
42	<b>Tube Connector (Ø4mm)</b>	PTFE	1	EH1043		↔	
B	<b>Drive Unit (20E)</b>		1	EH1755		EH1758	
C	<b>Air Vent Valve Set (Rc1/4)</b>		1	EH1001		↔	
A	<b>Valve Set</b>		2	EH1000		↔	

\*Note: None or one or more spacers is required for a pump.

⚠ Subject to change without prior notice! ⚠ Actual pump may differ from the exploded view!