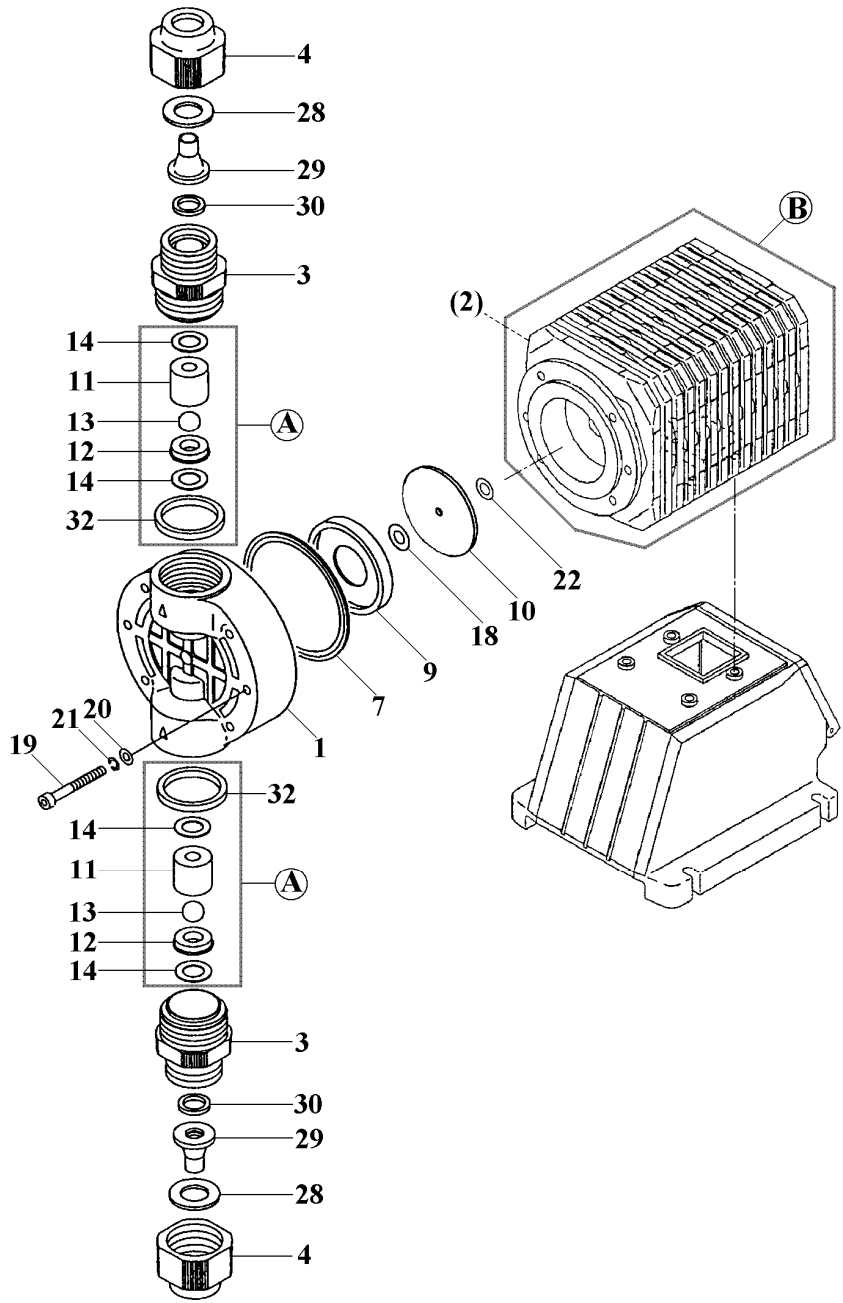


EH-E56-*FC* (PvdF)

No. 83-0178R1
Aug 2009



Item	Description	Material	Q'ty	Part No.	
1	Pump Head	PvdF	1	EH2116	
(2)	Bracket	GFRPPE	1	EH1745	
3	Fitting	PvdF	2	EH0916	
4	Fitting Nut	PvdF	2	EH0917	
7	Diaphragm	PTFE	1	EH2119	
9	Retainer	PPS	1	EH0660	
10	Backup Retainer	Steel	1	EH0659	
11	Valve Guide	PvdF	2	EH0918	
12	Valve Seat	PCTFE	2	EH0920	
13	Valve Ball	Ceramic	2	EH0664	
14	Valve Gasket	PTFE	4	EH2191	
*18	Spacer	t: 0,2 mm	Brass	*	EH0625
		t: 0,3 mm	Brass	*	EH0626
		t: 0,5 mm	Brass	*	EH0627
		t: 0,7 mm	Brass	*	EH0279
19	Hex. Cap Bolt	M5x55	S6 equiv.	6	EH2054
20	Plate Washer	M5	SUS316	6	EH2011
21	Spring Washer	M5	SUS316L	6	EH2012
22	Diaphragm Seal	EPDM		1	EH1861
28	Hose Stopper	10x12mm	SUS304	2	EH0715
29	Fitting Spacer	10x12mm	PvdF	2	EH0922
30	Gasket	PTFE		2	EH0924
32	Gasket	PTFE		2	EH0925
B	Drive Unit (20E)			1	EH1764
A	Valve Set			2	EH0914

*Note: None or one or more spacers is required for a pump.

△ Subject to change without prior notice! △ Actual pump may differ from the exploded view!