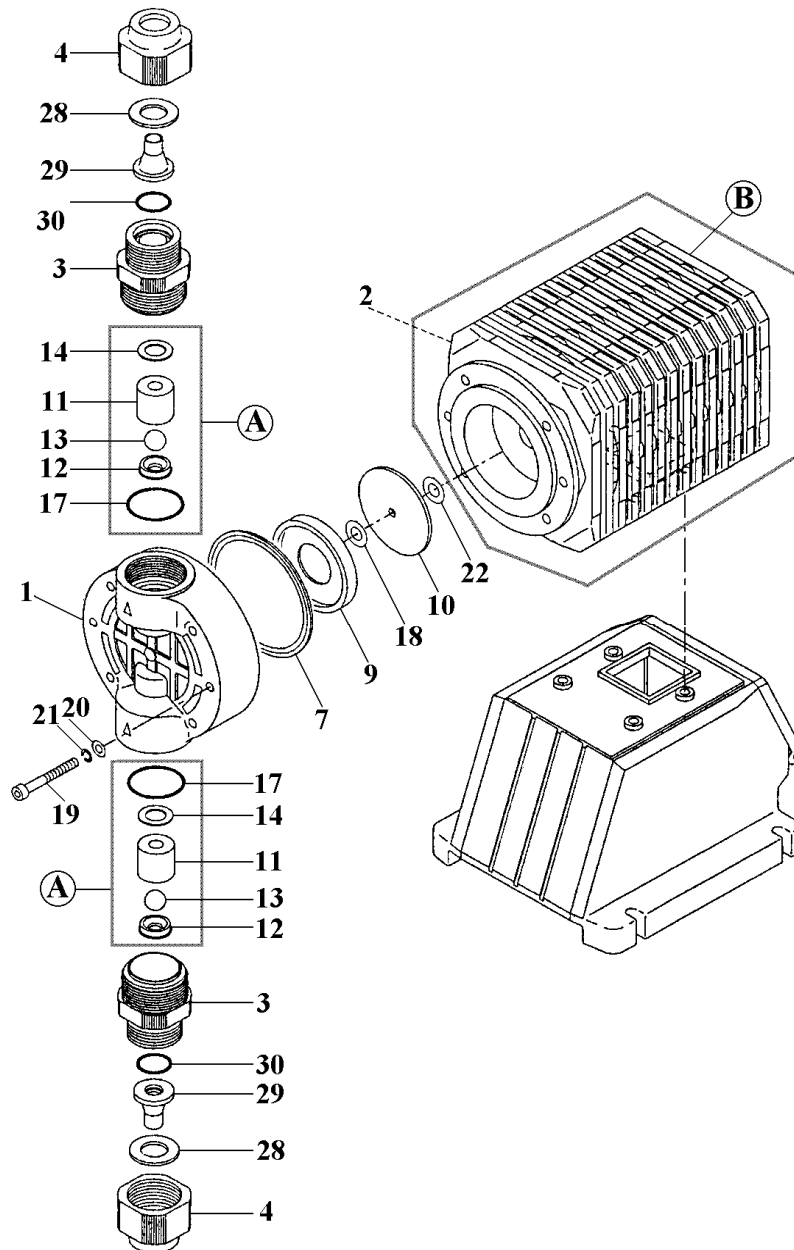


# EH-E56-\*PC\* (GFRPP)

No. 83-0175R1  
Aug 2009



Item	Description	Material	Q'ty	Part No.	
1	Pump Head	GFRPP	1	EH2115	
2	Bracket	GFRPPE	1	EH1745	
3	Fitting	GFRPP	2	EH0685	
4	Fitting Nut	GFRPP	2	EH0686	
7	Diaphragm	PTFE	1	EH2119	
9	Retainer	PPS	1	EH0660	
10	Backup Retainer	Steel	1	EH0659	
11	Valve Guide	GFRPP	2	EH0687	
12	Valve Seat	FKM-A	2	EH2242	
13	Valve Ball	Ceramic	2	EH0664	
14	Valve Gasket	PTFE	2	EH0666	
17	O-Ring, $\phi 29,8 \times \phi 2,62$ (mm)	FKM-A	2	EH0667	
*18	Spacer	t: 0,2mm	Brass	*	EH0625
		t: 0,3mm	Brass	*	EH0626
		t: 0,5mm	Brass	*	EH0627
		t: 0,7mm	Brass	*	EH0279
19	Hex. Socket Cap Bolt	M5x55	S6 equiv.	6	EH2054
20	Plate Washer	M5	SUS316	6	EH2011
21	Spring Washer	M5	SUS316L	6	EH2012
22	Diaphragm Seal	EPDM	1	EH1861	
28	Hose Stopper	9x12mm	SUS304	2	EH0715
29	Fitting Spacer	9x12mm	GFRPP	2	EH0717
30	O-Ring, P-16		FKM-A	2	EH0122
B	Drive Unit (20E)			1	EH1764
A	Valve Set	PC		2	EH2247

\*Note: None or one or more spacers is required for a pump.

△ Subject to change without prior notice!    △ Actual pump may differ from the exploded view!