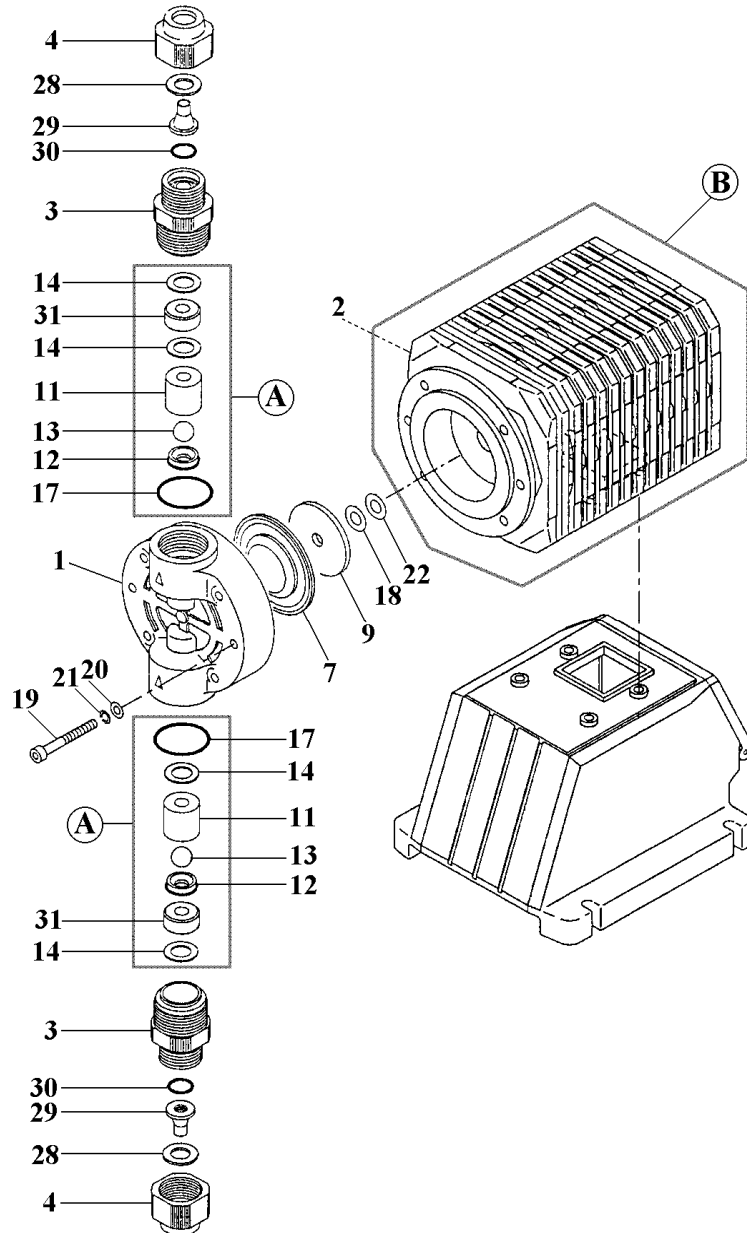


EH-E46-*PC* (GFRPP)



No. **83-0174R1**
Aug 2009

Item	Description	Material	Q'ty	Part No.	
1	Pump Head	GFRPP	1	EH2110	
2	Bracket	GFRPPE	1	EH1744	
3	Fitting	GFRPP	2	EH0679	
4	Fitting Nut	GFRPP	2	EH0676	
7	Diaphragm	PTFE	1	EH2113	
9	Retainer	Steel	1	EH0642	
11	Valve Guide	GFRPP	2	EH0680	
12	Valve Seat	FKM-A	2	EH2241	
13	Valve Ball	Ceramic	2	EH0646	
14	Valve Gasket	PTFE	4	EH0648	
17	O-Ring, $\phi 24 \times \phi 2,62$ (mm)	FKM-A	2	EH0650	
*18	Spacer	t: 0,2mm	Brass	*	EH0625
		t: 0,3mm	Brass	*	EH0626
		t: 0,5mm	Brass	*	EH0627
		t: 0,7mm	Brass	*	EH0279
19	Hex. Socket Cap Bolt	M5x40	SUS316L	6	EH2106
20	Plate Washer	M5	SUS316	6	EH2011
21	Spring Washer	M5	SUS316L	6	EH2012
22	Diaphragm Seal	EPDM	1	EH1861	
28	Hose Stopper	9x12mm	SUS304	2	EH0694
29	Fitting Spacer	9x12mm	GFRPP	2	EH0712
30	O-Ring, P-12	FKM-A	2	EH0028	
31	Valve Spacer	PP	2	EH0683	
B	Drive Unit (20E)		1	EH1761	
A	Valve Set	PC	2	EH2245	

*Note: None or one or more spacers is required for a pump.

△ Subject to change without prior notice! △ Actual pump may differ from the exploded view!