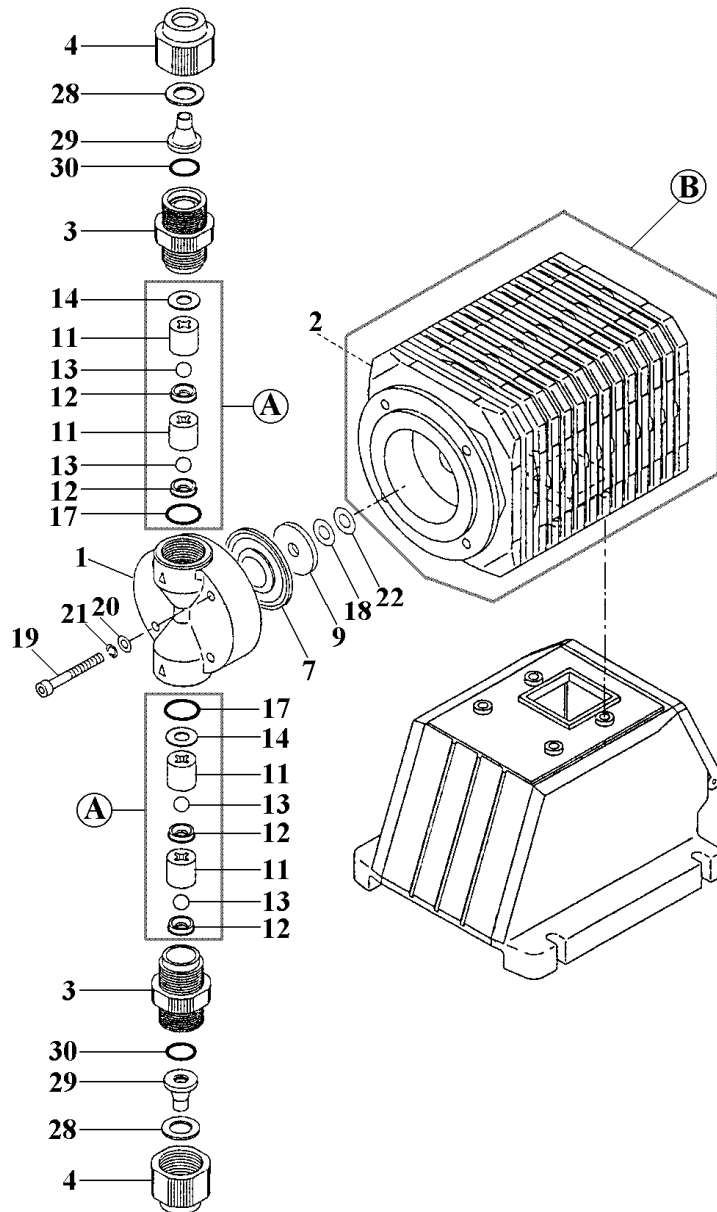


EH-E31•E36-PC* (GFRPP)

No. 83-0173R1
Aug 2009



Item	Description	Material	Q'ty	EH-E31		EH-E36	
				Part No.		Part No.	
1	Pump Head	GFRPP	1	EH2102		EH1962	
2	Bracket	GFRPPE	1	EH1742		EH1743	
3	Fitting	GFRPP	2	EH0675		↔	
4	Fitting Nut	GFRPP	2	EH0676		↔	
7	Diaphragm	PTFE	1	EH2105		EH2108	
9	Retainer	Steel	1	EH0622		EH0637	
11	Valve Guide	GFRPP	4	EH0332		↔	
12	Valve Seat	FKM-A	4	EH0119		↔	
13	Valve Ball	Ceramic	4	EH0120		↔	
14	Valve Gasket	PTFE	2	EH0121		↔	
17	O-Ring, P-16	FKM-A	2	EH0122		↔	
*18	Spacer	t: 0,2mm	Brass	*	EH0625		↔
		t: 0,3mm	Brass	*	EH0626		↔
		t: 0,5mm	Brass	*	EH0627		↔
		t: 0,7mm	Brass	*	EH0279		↔
19	Hex. Cap Bolt	M5x40	SUS316L	4	EH2106		↔
20	Plate Washer	M5	SUS316	4	EH2011		↔
21	Spring Washer	M5	SUS316L	4	EH2012		↔
22	Diaphragm Seal		EPDM	1	EH1861		↔
28	Hose Stopper	9x12mm	SUS304	2	EH0694		↔
29	Fitting Spacer	9x12mm	GFRPP	2	EH0712		↔
30	O-Ring, P-12		FKM-A	2	EH0028		↔
B	Drive Unit (20E)			1	EH1755		EH1758
A	Valve Set	PC		2	EH0333		↔

*Note: None or one or more spacers is required for a pump.

△ Subject to change without prior notice! △ Actual pump may differ from the exploded view!