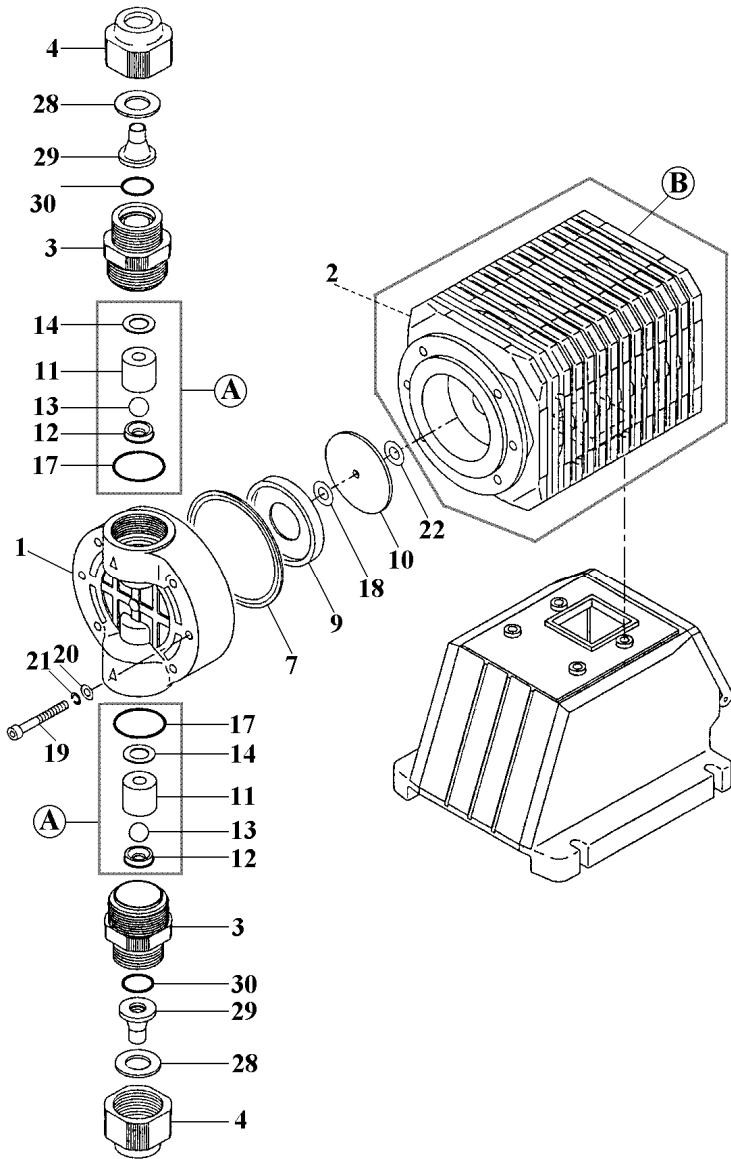


EH-E56 (PVC)

No. 83-0172R1
Aug 2009



Item	Description	Material	Q'ty	EH-E56*VC*	EH-E56*V6*	EH-E56*VM*	
				Part No.	Part No.	Part No.	
1	Pump Head	VC•V6	PVC	1	EH2114	↔	
		VM	PVC	1			EH2118
2	Bracket	GFRPPE	1	EH1745	↔	↔	
3	Fitting	PVC	2	EH0656	↔	↔	
4	Fitting Nut	PVC	2	EH0657	↔	↔	
7	Diaphragm	PTFE	1	EH2119	↔	↔	
9	Retainer	PPS	1	EH0660	↔	↔	
10	Backup Retainer	Steel	1	EH0659	↔	↔	
11	Valve Guide	PVC	2	EH0661	↔	↔	
12	Valve Seat	VC•VM	FKM-A	2	EH2242		EH2242
		V6	EPDM	2		EH0663	
13	Valve Ball	VC•VM	Ceramic	2	EH0664		EH0664
		V6	SUS316	2		EH0665	
14	Valve Gasket	PTFE	2	EH0666	↔	↔	
17	O-Ring ø29,8xø2,62 (mm)	VC•VM	FKM-A	2	EH0667		EH0667
		V6	EPDM	2		EH0668	
*18	Spacer	t: 0,2mm	Brass	*	EH0625	↔	↔
		t: 0,3mm	Brass	*	EH0626	↔	↔
		t: 0,5mm	Brass	*	EH0627	↔	↔
		t: 0,7mm	Brass	*	EH0279	↔	↔
19	Hex. Cap Bolt	M5x55	S6 equiv.	6	EH2054	↔	
		M5x75	SUS316L	6			EH2121
20	Plate Washer	M5	SUS316	6	EH2011	↔	↔
21	Spring Washer	M5	SUS316L	6	EH2012	↔	↔
22	Diaphragm Seal	EPDM	1	EH1861	↔	↔	
28	Hose Stopper	9x12mm	SUS304	2	EH0715	↔	↔
29	Fitting Spacer	9x12mm	PVC	2	EH0714	↔	↔
30	O-Ring, P-16	VC•VM	FKM-A	2	EH0122		EH0122
		V6	EPDM	2		EH0127	
B	Drive Unit (20E)			1	EH1764	↔	↔
A	Valve Set	VC•VM		2	EH2246		EH2246
		V6		2		EH0671	↔

*Note: None or one or more spacers is required for a pump.

△ Subject to change without prior notice! △ Actual pump may differ from the exploded view!