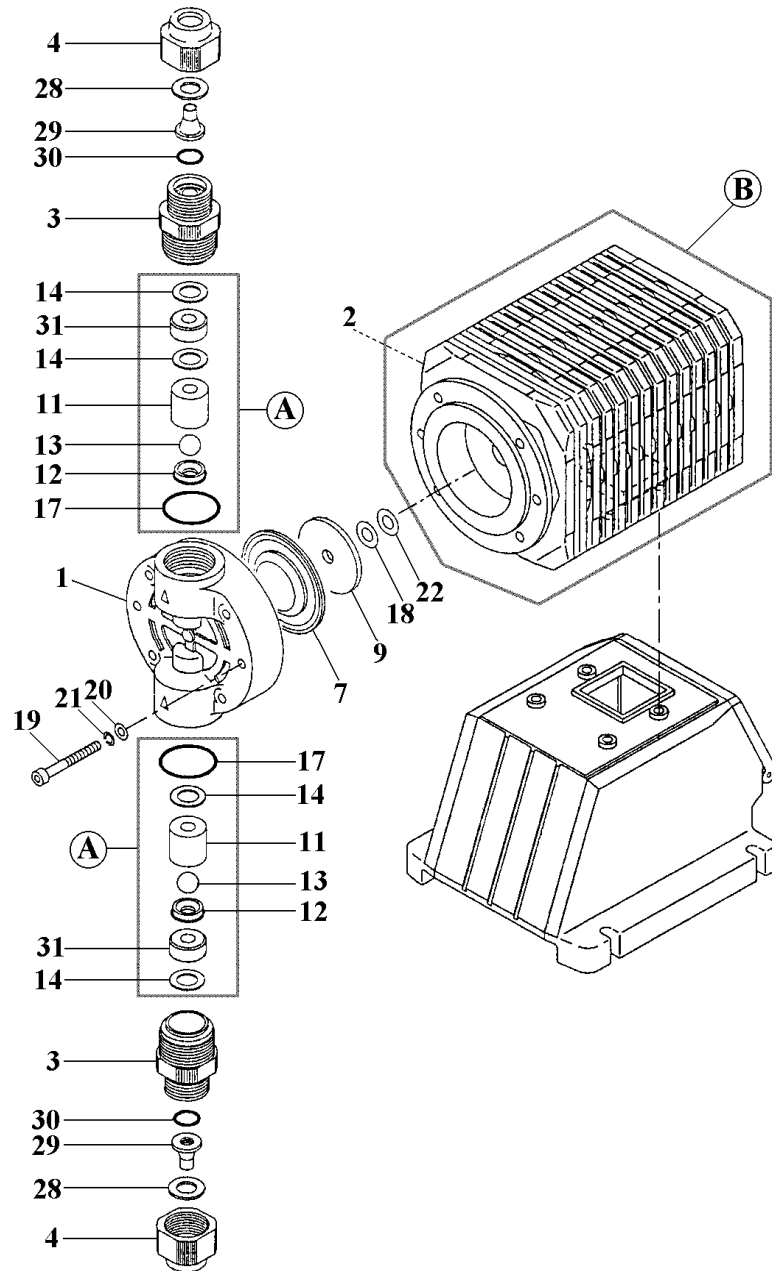


EH-E46 (PVC)

No. 83-0171R1
Aug 2009



Item	Description	Material	Q'ty	EH-E46*VC*		EH-E46*V6*	
				Part No.		Part No.	
1	Pump Head	VC•V6 PVC	1	EH2109		☐	
2	Bracket	GFRPPE	1	EH1744		☐	
3	Fitting	VC•V6 PVC	2	EH0640		☐	
4	Fitting Nut	VC•V6 PVC	2	EH0620		☐	
7	Diaphragm	PTFE	1	EH2113		☐	
9	Retainer	Steel	1	EH0642		☐	
11	Valve Guide	VC•V6 PVC	2	EH0643		☐	
12	Valve Seat	VC	FKM-A	2	EH2241		
		V6	EPDM	2			EH0645
13	Valve Ball	VC	Ceramic	2	EH0646		
		V6	SUS316	2			EH0647
14	Valve Gasket	PTFE	4	EH0648		☐	
17	O-Ring ø24xø2,62 (mm)	VC	FKM-A	2	EH0650		
		V6	EPDM	2			EH0649
*18	Spacer	t: 0,2mm	Brass	*	EH0625		☐
		t: 0,3mm	Brass	*	EH0626		☐
		t: 0,5mm	Brass	*	EH0627		☐
		t: 0,7mm	Brass	*	EH0279		☐
19	Hex. Cap Bolt	M5x40 SUS316L	6	EH2106		☐	
20	Plate Washer	M5 SUS316	6	EH2011		☐	
21	Spring Washer	M5 SUS316L	6	EH2012		☐	
22	Diaphragm Seal	EPDM	1	EH1861		☐	
28	Hose Stopper	9x12mm SUS304	2	EH0694		☐	
29	Fitting Spacer	9x12mm PVC	2	EH0693		☐	
30	O-Ring, P-12	VC	FKM-A	2	EH0028		
		V6	EPDM	2			EH0051
31	Valve Spacer	VC•V6 PVC	2	EH0653		☐	
B	Drive Unit (20E)		1	EH1761		☐	
A	Valve Set	VC		2	EH2244		
		V6		2			EH0652

*Note: None or one or more spacers is required for a pump.

⚠ Subject to change without prior notice! ⚠ Actual pump may differ from the exploded view!