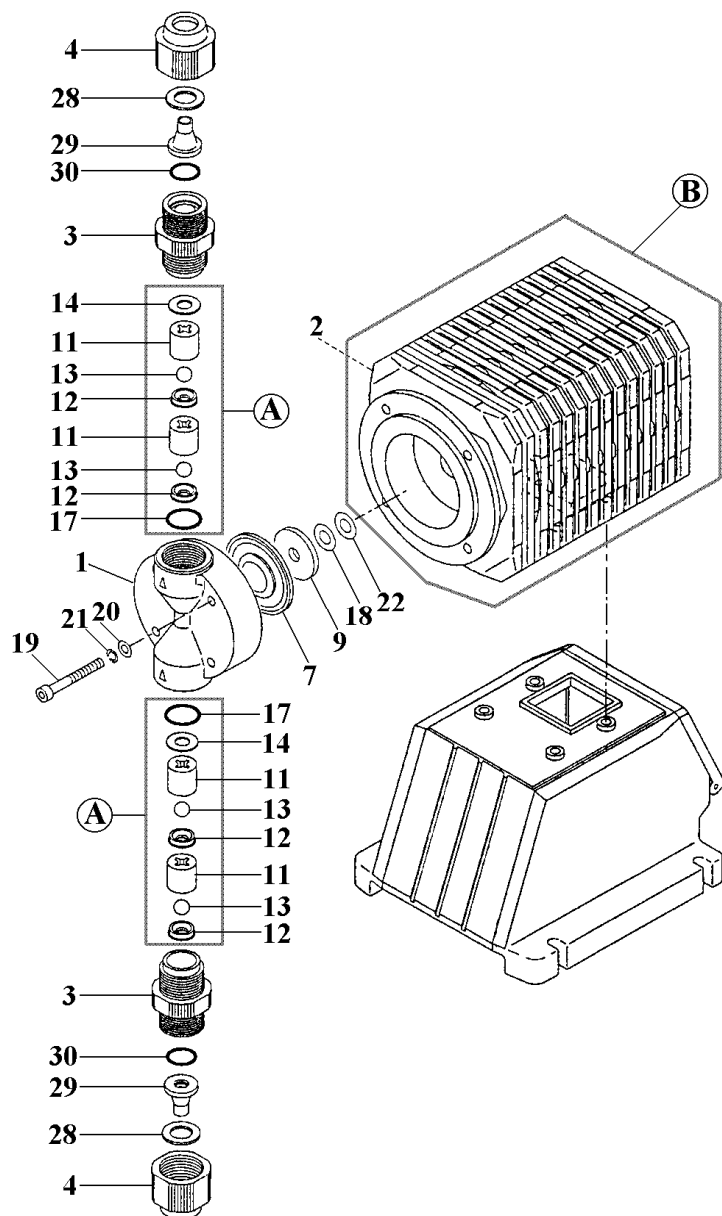


# EH-E31•E36 (PVC)

No. 83-0170R1

Aug 2009



Item	Description	Material	Q'ty	EH-E31		EH-E36	
				Part No.		Part No.	
1	Pump Head	VC•V6 PVC	1	EH2101		EH1953	
2	Bracket	GFRPPE	1	EH1742		EH1743	
3	Fitting	VC•V6 PVC	2	EH0619		↔	
4	Fitting Nut	VC•V6 PVC	2	EH0620		↔	
7	Diaphragm	PTFE	1	EH2105		EH2108	
9	Retainer	Steel	1	EH0622		EH0637	
11	Valve Guide	VC•V6 PVC	4	EH0118		↔	
12	Valve Seat	VC	FKM-A	4	EH0119		↔
		V6	EPDM	4	EH0623		↔
13	Valve Ball	VC	Ceramic	4	EH0120		↔
		V6	SUS316	4	EH0624		↔
14	Valve Gasket	PTFE	2	EH0121		↔	
17	O-Ring, P-16	VC	FKM-A	2	EH0122		↔
		V6	EPDM	2	EH0127		↔
*18	Spacer	t: 0,2mm	Brass	*	EH0625		↔
		t: 0,3mm	Brass	*	EH0626		↔
		t: 0,5mm	Brass	*	EH0627		↔
		t: 0,7mm	Brass	*	EH0279		↔
19	Hex. Cap Bolt	M5x40 SUS316L	4	EH2106		↔	
20	Plate Washer	M5 SUS316	4	EH2011		↔	
21	Spring Washer	M5 SUS316L	4	EH2012		↔	
22	Diaphragm Seal	EPDM	1	EH1861		↔	
28	Hose Stopper	9x12mm SUS304	2	EH0694		↔	
29	Fitting Spacer	9x12mm PVC	2	EH0693		↔	
30	O-Ring, P-12	VC	FKM-A	2	EH0028		↔
		V6	EPDM	2	EH0051		↔
B	Drive Unit (20E)		1	EH1755		EH1758	
A	Valve Set	VC		2	EH0128		↔
		V6		2	EH0630		↔

\*Note: None or one or more spacers is required for a pump.

⚠ Subject to change without prior notice! ⚠ Actual pump may differ from the exploded view!